



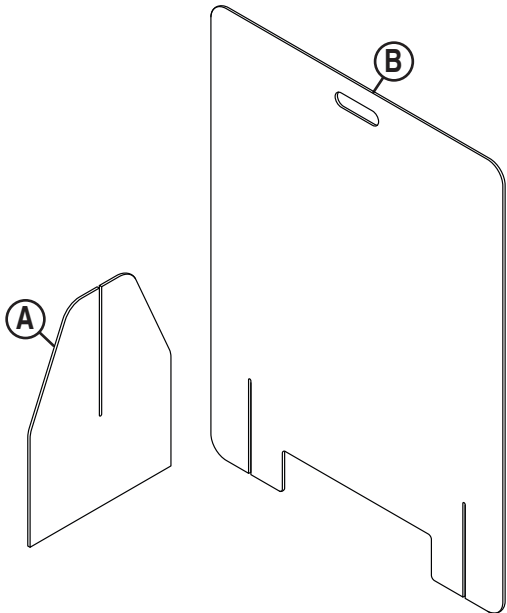
HealthShield™ ASSEMBLY INSTRUCTIONS

PROTECTING LIVES, ONE SHIELD AT A TIME

Thank you for your purchase of one of many fine HealthShield™ products designed & manufactured by UPC. We have made every effort to make your assembly easy, clear & hassle free. For more information or if you have any questions contact customer service at 1-800-859-7442 or visit www.healthshield.care

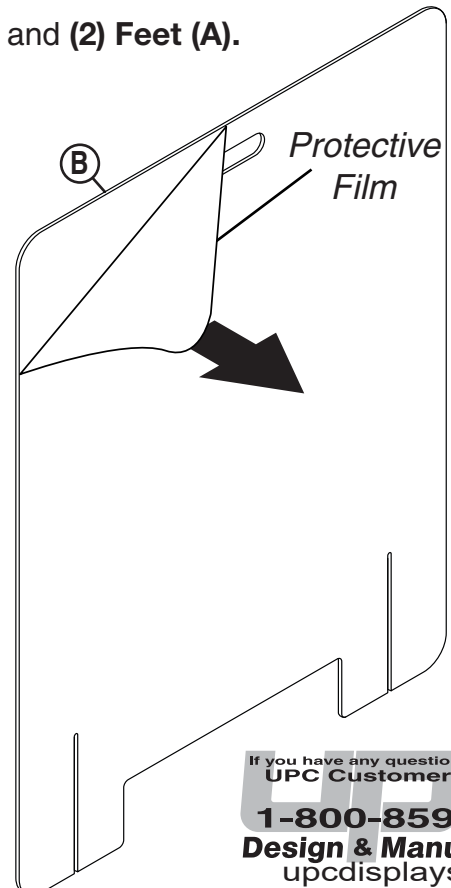
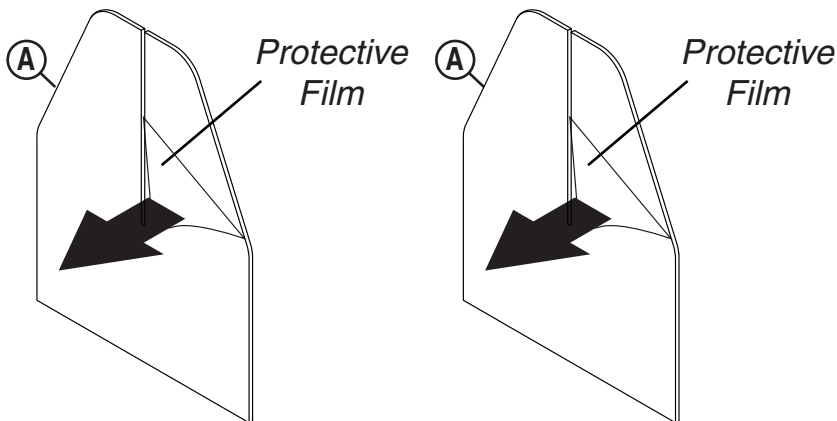
UPC HealthShield™ #14049 / 14050 / 14051 / 14052 / 14066 / 14067 - Portable Shield with Cutout 31.5" x 23.5"

PART LIST	Quantity	Reference
Foot	2	A
Shield	1	B



ASSEMBLY

1 Peel the *Protective Film* from both sides of the **Shield (B)** and **(2) Feet (A)**.



If you have any questions please call:
UPC Customer Service
1-800-859-7442
Design & Manufacture
upcdisplays.com

If you have any questions please call:

UPC Customer Service

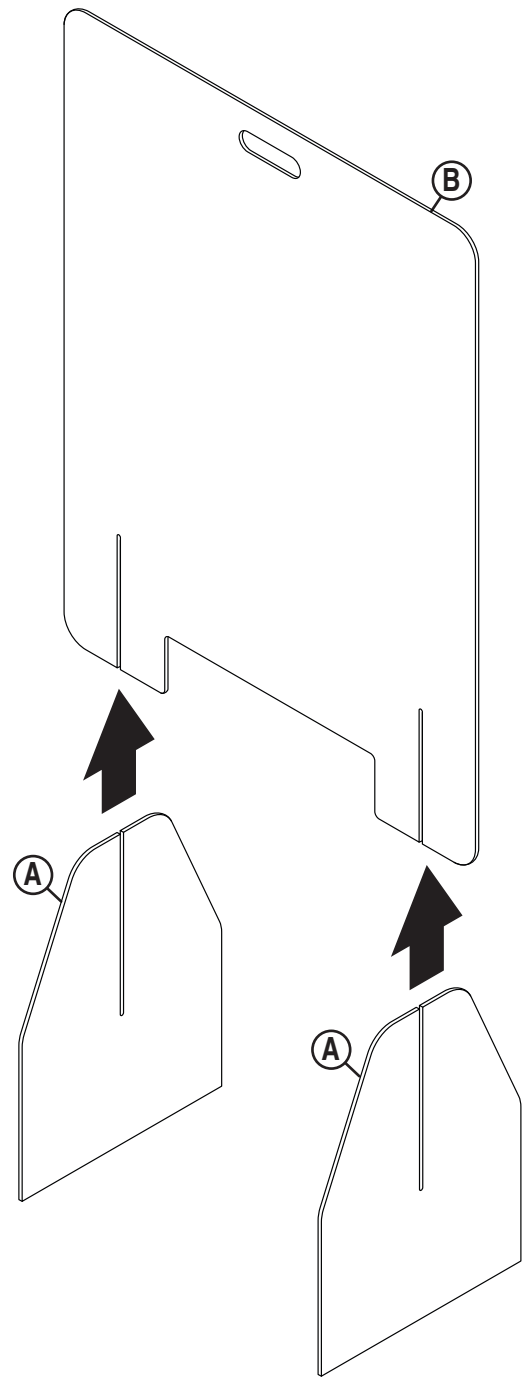
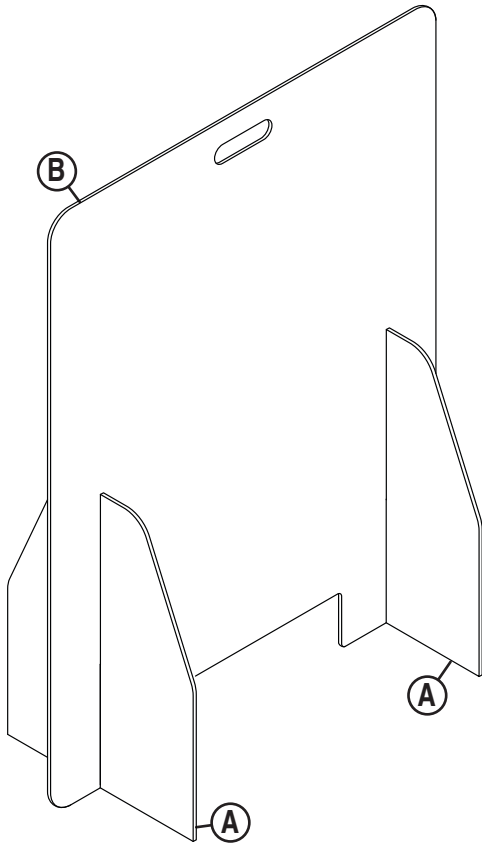
1-800-859-7442

Design & Manufacture
upcdisplays.com

ASSEMBLY

- 2** Attach (2) Feet (A) to Shield (B) by inserting (2) Feet (A) into the slots in Shield (B).

- 3** NOTE: Shield (B) and (2) Feet (A) are made to come apart for ease of transport and convenience. Just remove (2) Feet (A) for transport.



www.healthshield.care

CALL TOLL FREE: 1-800-859-7442 - EMAIL: sales@upcdisplays.com

