



# HealthShield™ ASSEMBLY INSTRUCTIONS

PROTECTING LIVES, ONE SHIELD AT A TIME

Thank you for your purchase of one of many fine HealthShield™ products designed & manufactured by UPC. We have made every effort to make your assembly easy, clear & hassle free. For more information or if you have any questions contact customer service at 1-800-859-7442 or visit [www.healthshield.care](http://www.healthshield.care)

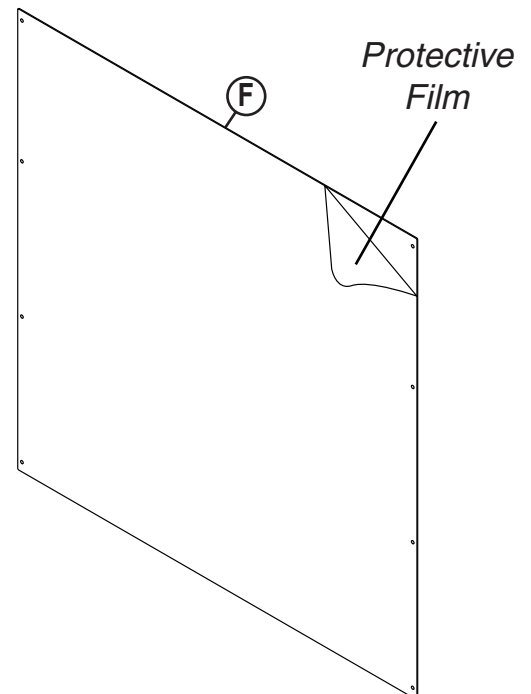
## UPC HealthShield™

## UPC #14093 - Mobile Body Shield

PART BAG	Quantity	Reference	
Connector Bolt	12	A	
Hex Key	1	B	
Caster with Brake	2	C	
Caster	2	D	
Wrench	1	E	

PART LIST	Quantity	Reference	
Shield	1	F	
Leg	2	G	

**1** Peel the *Protective Film* from both sides of the **Shield (F)**.



If you have any questions please call:  
UPC Customer Service

**1-800-859-7442**

**Design & Manufacture**  
[upcdisplays.com](http://upcdisplays.com)



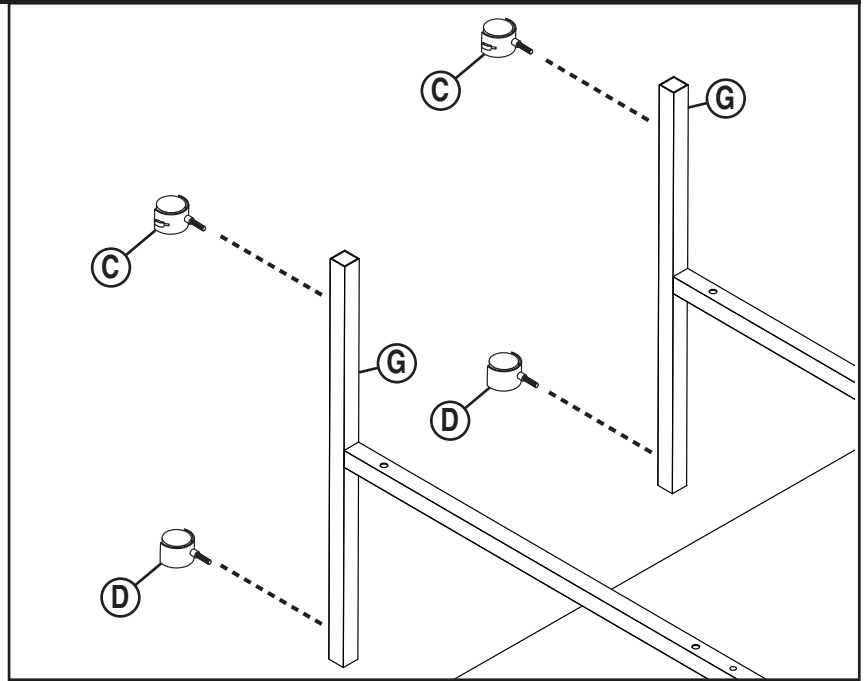
If you have any questions please call:  
UPC Customer Service

**1-800-859-7442**

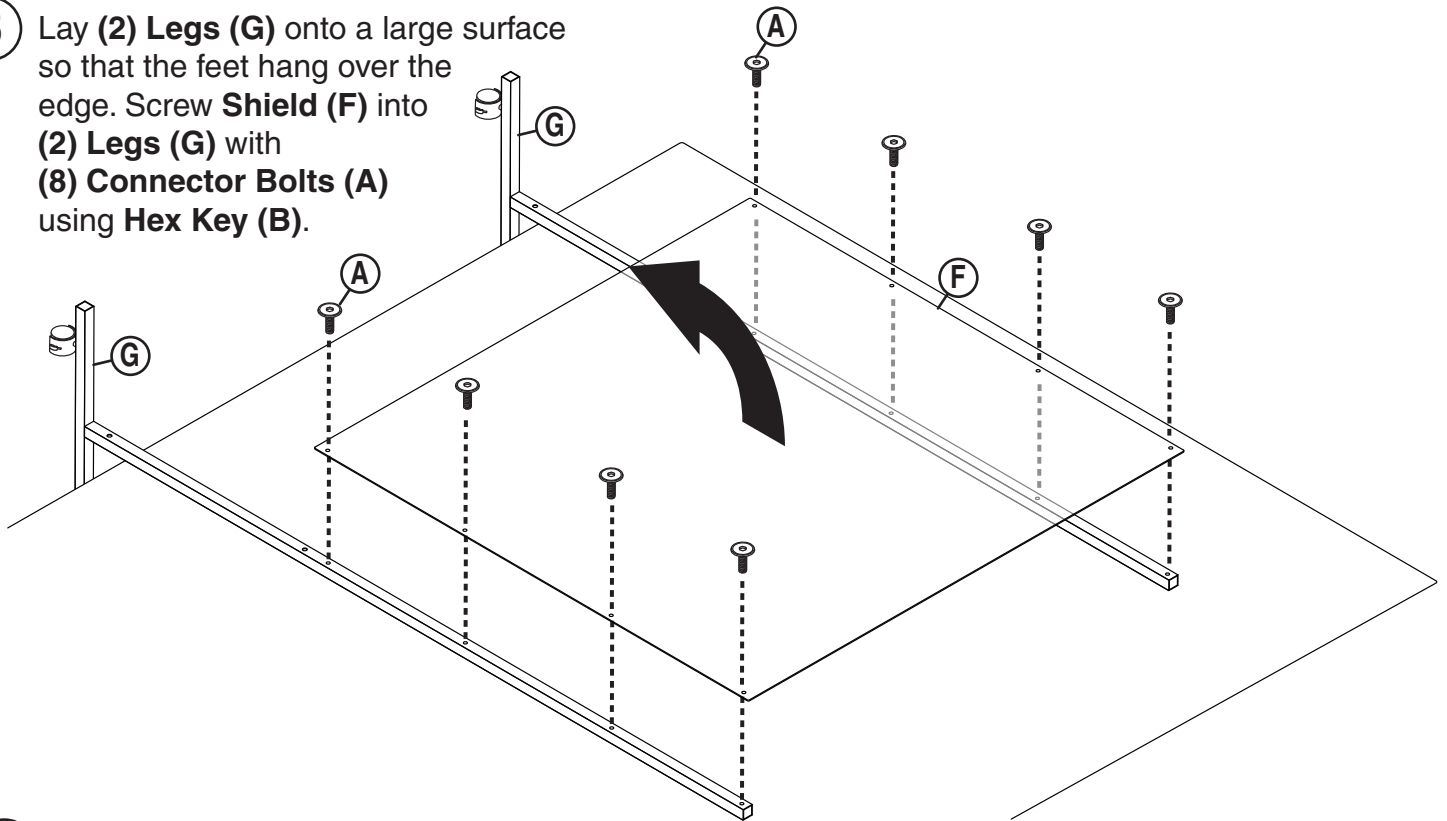
**Design & Manufacture**  
upcdisplays.com

- 2 Screw (1) **Caster (D)** and (1) **Caster with Brake (C)** into (1) **Leg (G)** using **Wrench (E)**.

Repeat for other **Leg (G)**.



- 3 Lay (2) **Legs (G)** onto a large surface so that the feet hang over the edge. Screw **Shield (F)** into (2) **Legs (G)** with (8) **Connector Bolts (A)** using **Hex Key (B)**.



- 4 Optional: If **UPC #14094 - Individual Sheet** is with this **Assembly**, screw **Individual Sheet** into (2) **Legs (F)** with (4) **Connector Bolts (A)** using **Hex Key (B)**.
- 5 Tip **Assembly** upright onto (4) **Castors (C,D)**.



# www.healthshield.care

CALL TOLL FREE: 1-800-859-7442 - EMAIL: sales@upcdisplays.com

