



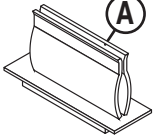
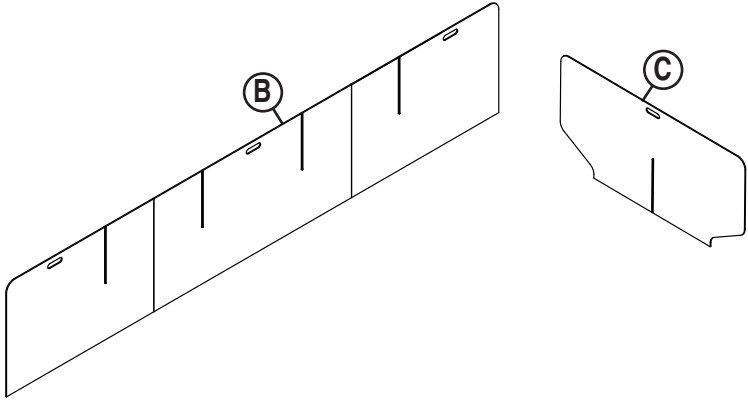
HealthShield™ ASSEMBLY INSTRUCTIONS

PROTECTING LIVES, ONE SHIELD AT A TIME

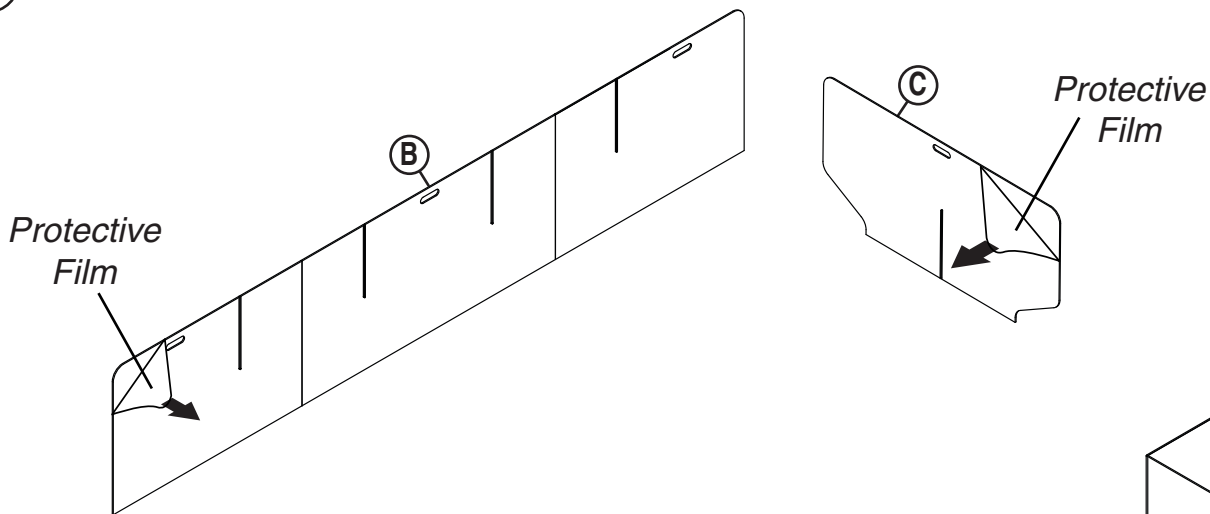
Thank you for your purchase of one of many fine HealthShield™ products designed & manufactured by UPC. We have made every effort to make your assembly easy, clear & hassle free. For more information or if you have any questions contact customer service at 1-800-859-7442 or visit www.healthshield.care

UPC HealthShield™

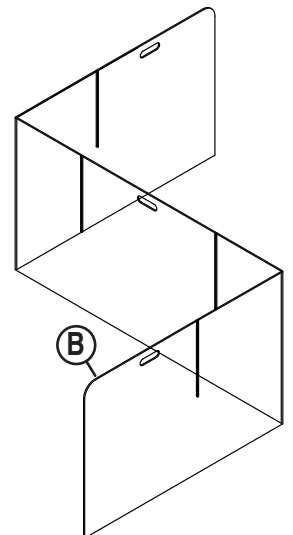
UPC #14131 - Lunch Bunch - 10'

PART BAG	Quantity	Reference	
Adhesive Clip	8	A	
PART LIST	Quantity	Reference	
Center Shield	1	B	
Divider Shield	4	C	

1 Peel the *Protective Film* from both sides of the **Center Shield (B)** and **(4) Divider Shields (C)**.



2 Unfold **Center Shield (B)** partially so it stands on its own.



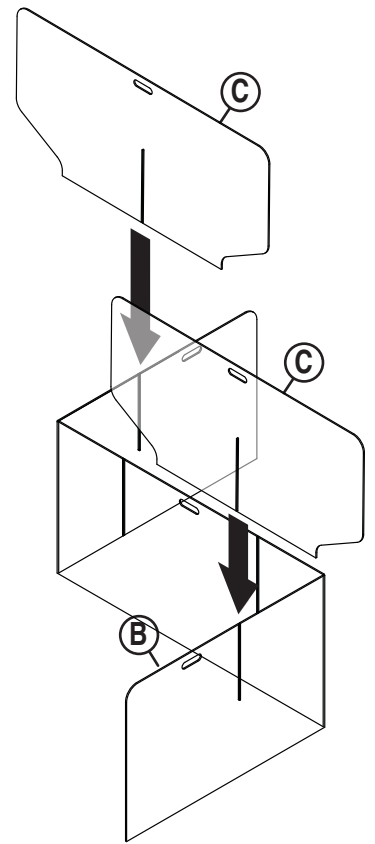
If you have any questions please call:
UPC Customer Service
1-800-859-7442
Design & Manufacture
upcdisplays.com

If you have any questions please call:
UPC Customer Service

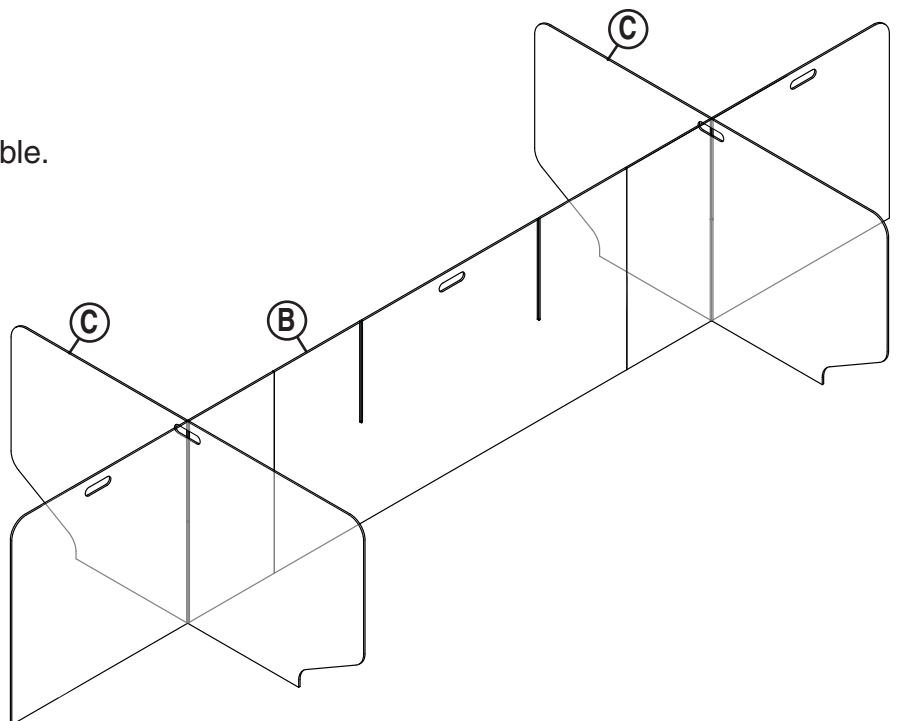
1-800-859-7442

Design & Manufacture
upcdisplays.com

- 3** Slide (2) **Divider Shields (C)** into matching slots towards the ends of **Center Shield (B)**.



- 4** Straighten **Assembly (B,C)** on table.

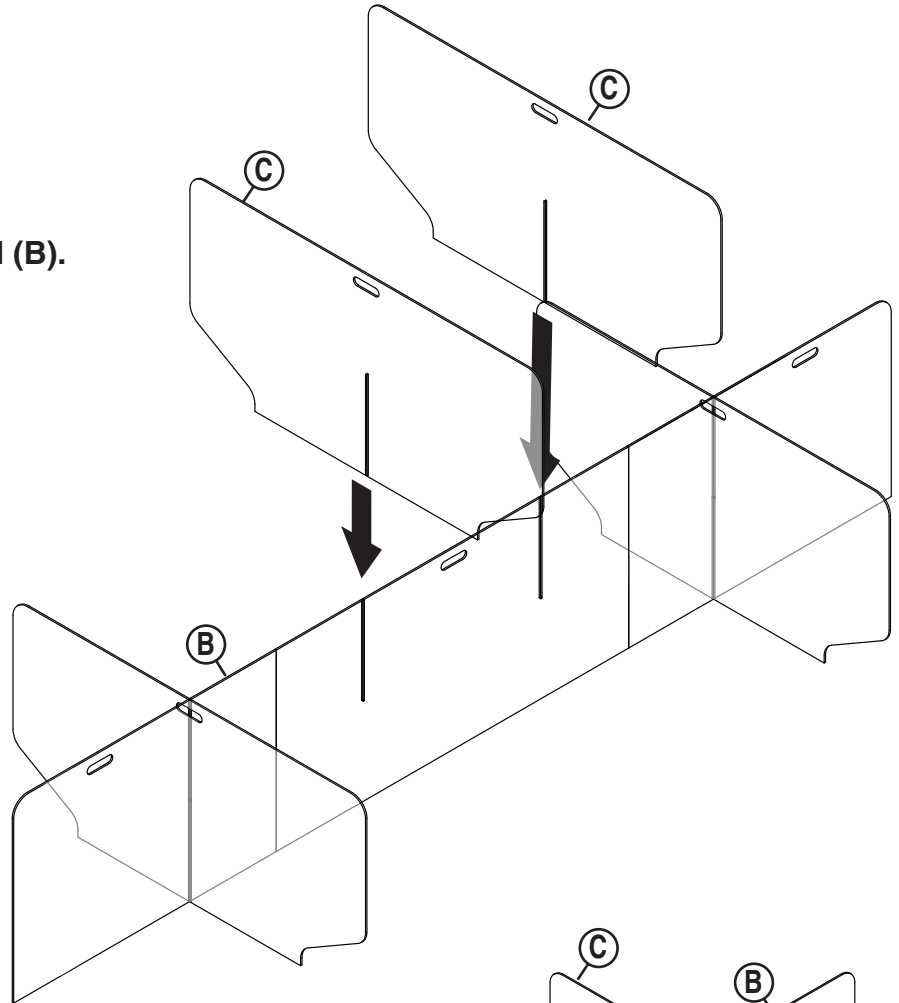


If you have any questions please call:
UPC Customer Service

1-800-859-7442

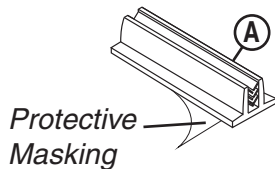
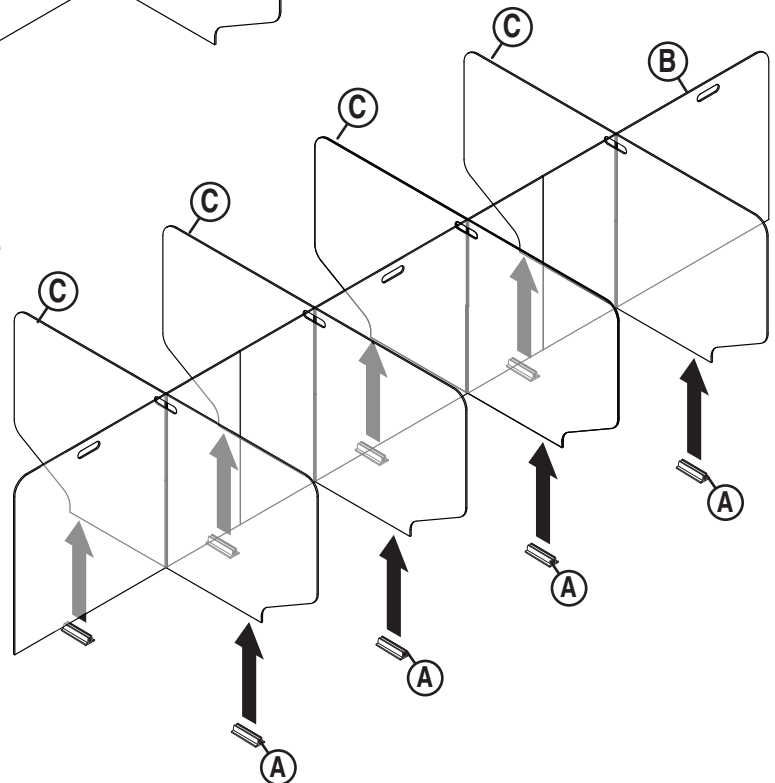
Design & Manufacture
upcdisplays.com

- 5** Slide **(2) Divider Shields (C)** into matching slots in **Center Shield (B)**.



- 6** Place **Assembly (A,B)** in desired location.

At that time tilt **Assembly (B,C)** so that the *Protective Masking* from **(8) Adhesive Clips (A)** can be removed and carefully put **Assembly (B,C)** back into place. Attach **(8) Adhesive Clips (A)** to the bottom ends of **(4) Divider Shields (C)**.



www.healthshield.care

CALL TOLL FREE: 1-800-859-7442 - EMAIL: sales@upcdisplays.com

