



# HealthShield™ ASSEMBLY INSTRUCTIONS

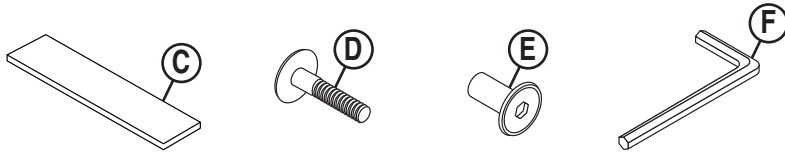
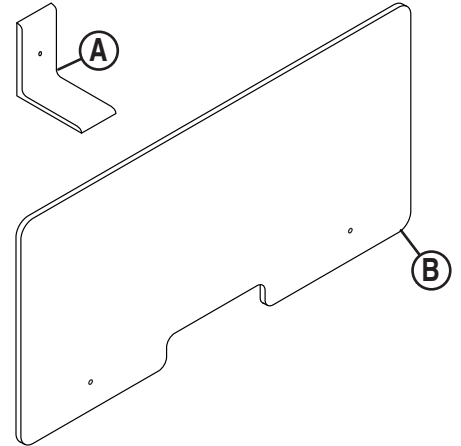
PROTECTING LIVES, ONE SHIELD AT A TIME

Thank you for your purchase of one of many fine HealthShield™ products designed & manufactured by UPC. We have made every effort to make your assembly easy, clear & hassle free. For more information or if you have any questions contact customer service at 1-800-859-7442 or visit [www.healthshield.care](http://www.healthshield.care)

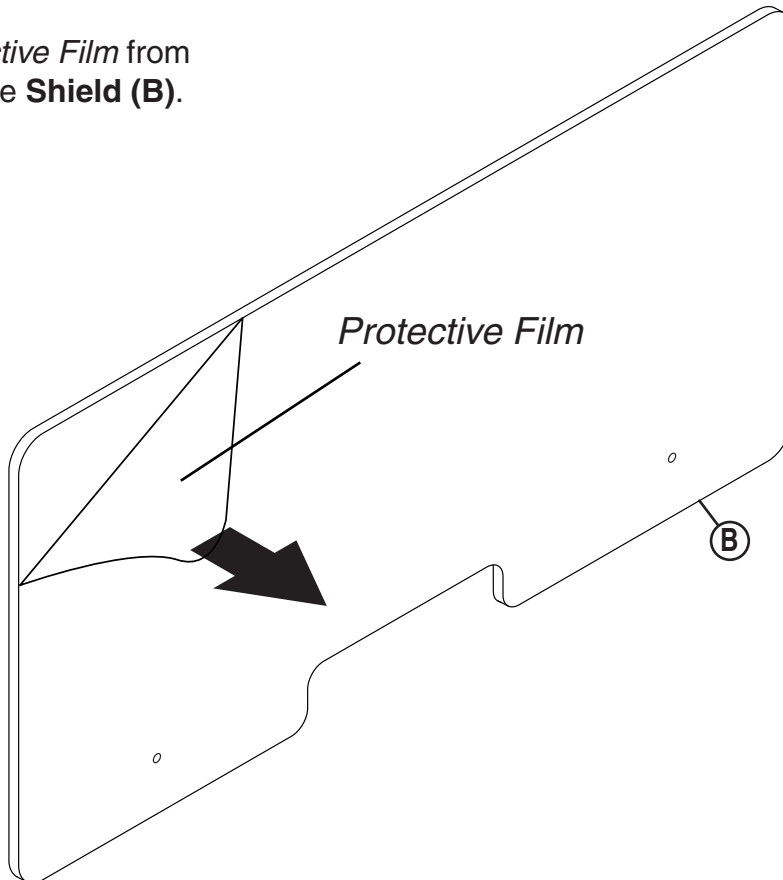
## UPC HealthShield™

## #14088 / 14090 - Bar Shield

PART LIST	Quantity	Reference
Foot	4	A
Shield	1	B
Pad	2	C
Connector Bolt	2	D
Connector Nut	2	E
Hex Key	2	F



- 1 Peel the *Protective Film* from both sides of the **Shield (B)**.



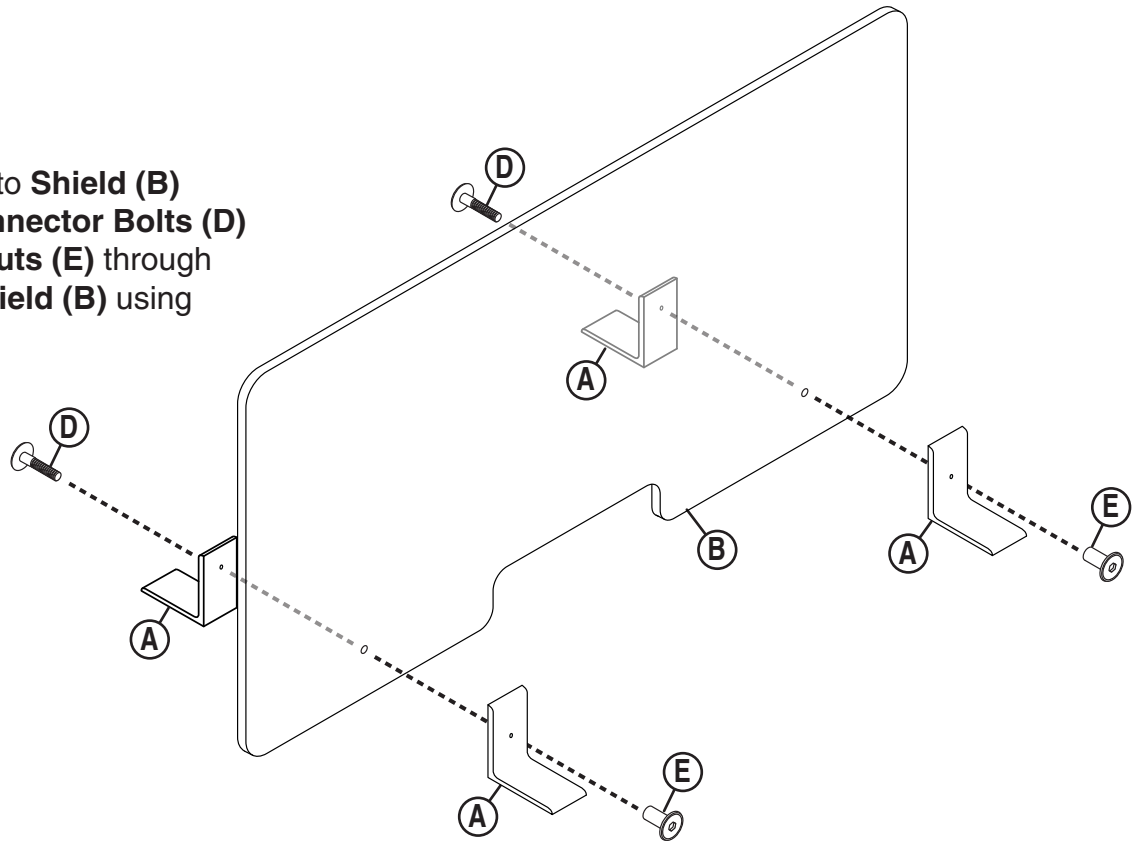
If you have any questions please call:  
**UPC Customer Service**  
**1-800-859-7442**  
**Design & Manufacture**  
[upcdisplays.com](http://upcdisplays.com)

If you have any questions please call:  
UPC Customer Service

**1-800-859-7442**

**Design & Manufacture**  
upcdisplays.com

- 2** Attach (4) Feet (A) to Shield (B) by screwing (2) Connector Bolts (D) to (2) Connector Nuts (E) through (4) Feet (A) and Shield (B) using (2) Hex Keys (F).



- 3** Peel off *Protective Strip* on (2) Pads (C) then attach to bottom of (4) Feet (A) as shown.

