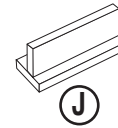
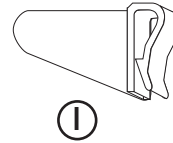
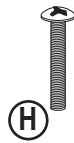


## PARTS BAG

UPC 8400

84 Pocket Spinner

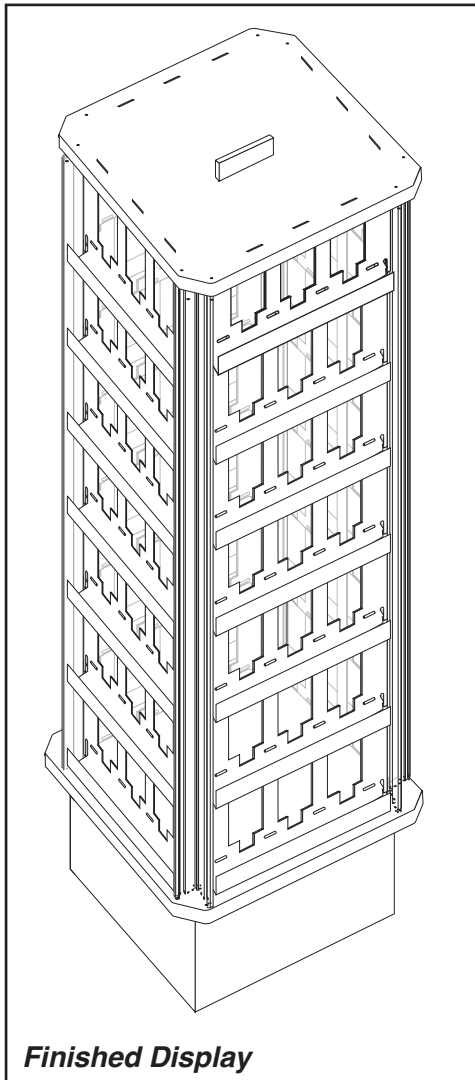
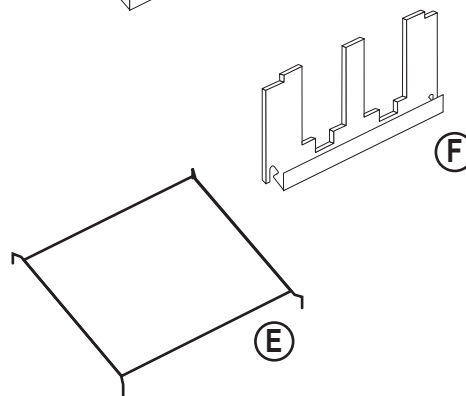
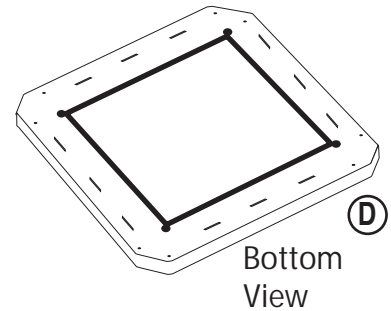
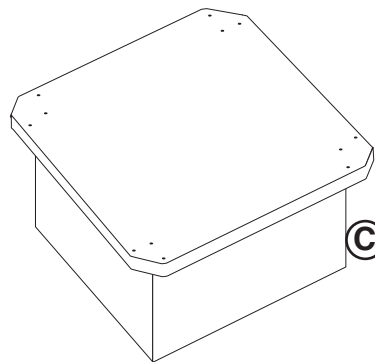
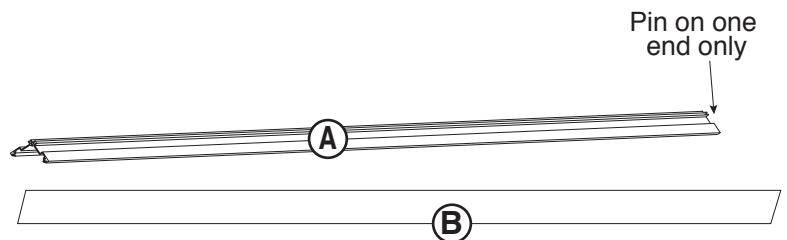
PART	Quantity	Reference
Screws	16	H
Card Divider Clips	56	I
Header Clip	1	J
Push Pins (Optional)	8	K



**TOOLS REQUIRED: #2 Phillips Screwdriver**

## PARTS LIST

PART	Quantity	Reference
Corner Posts	4	A
Inserts	4	B
Base	1	C
Top Plate	1	D
Wire Assembly Helper	1	E
Card Racks	28	F
Headers (optional)	4	G



**Finished Display**

If you have any questions or need replacement parts, please call:

**UPC Customer Service**  
1-800-859-7442

**Design & Manufacture**

## ASSEMBLY

- 1 Attach the four **Corner Posts (A)**, with **pin ends down** to **Base (C)**, using (8) **Screws (H)**.
  - If using Laminate Inserts**  
Install (4) **Laminate Inserts (B)** into **Corner Posts (A)** (see Figure A below).  
**OR**
  - If using Optional Corner Pockets (Card Wings)**  
Install according to directions included with that product.

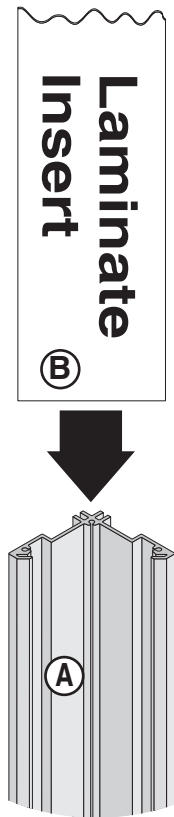
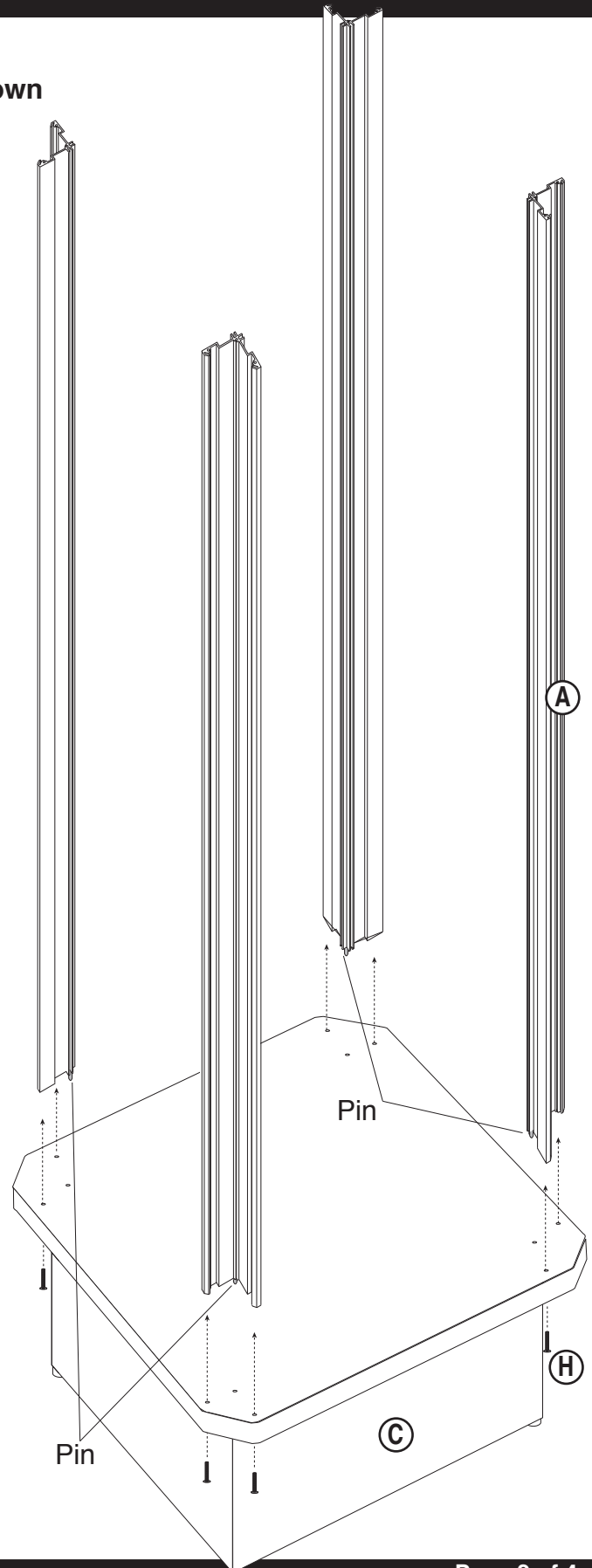
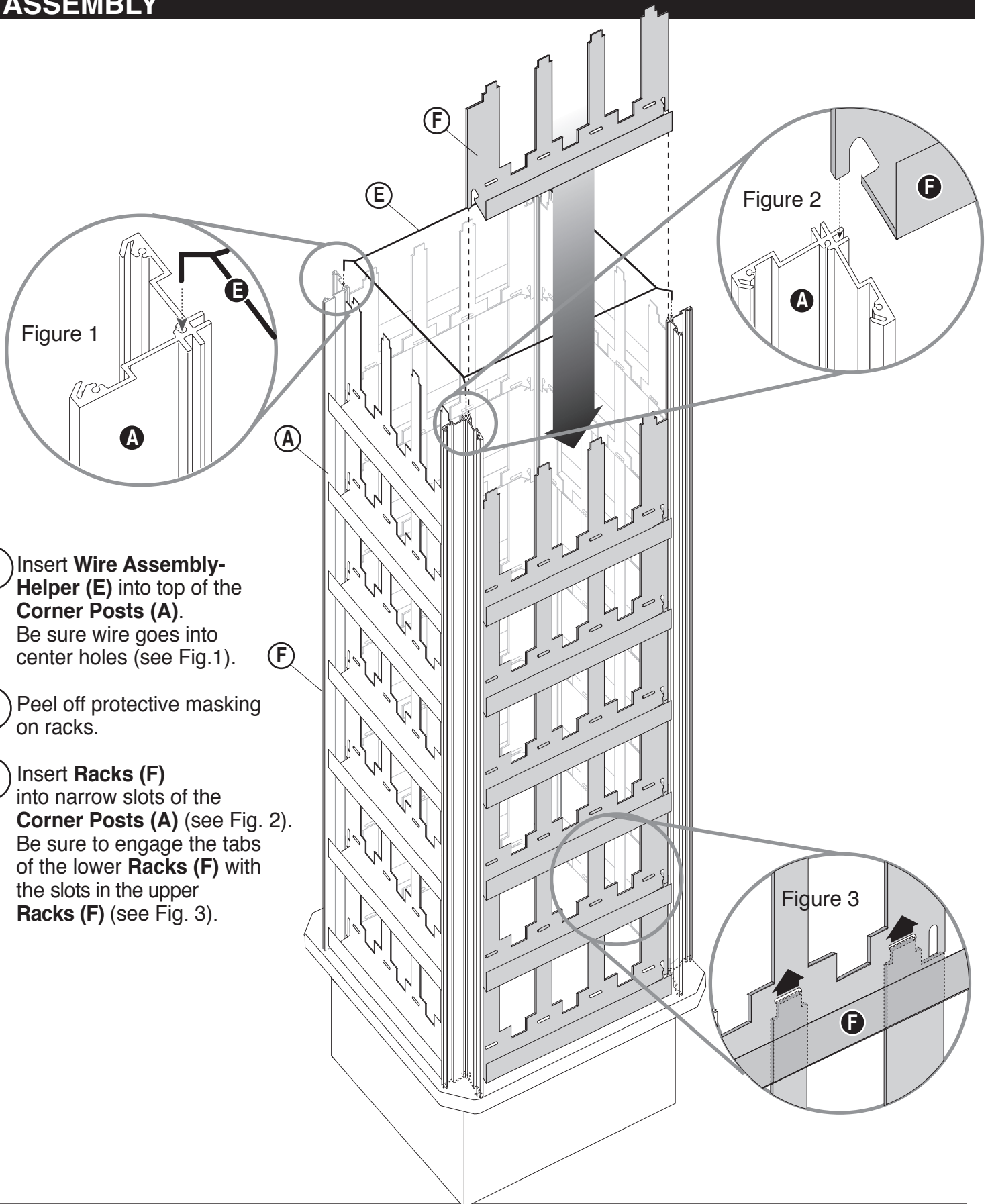


Figure A



# ASSEMBLY

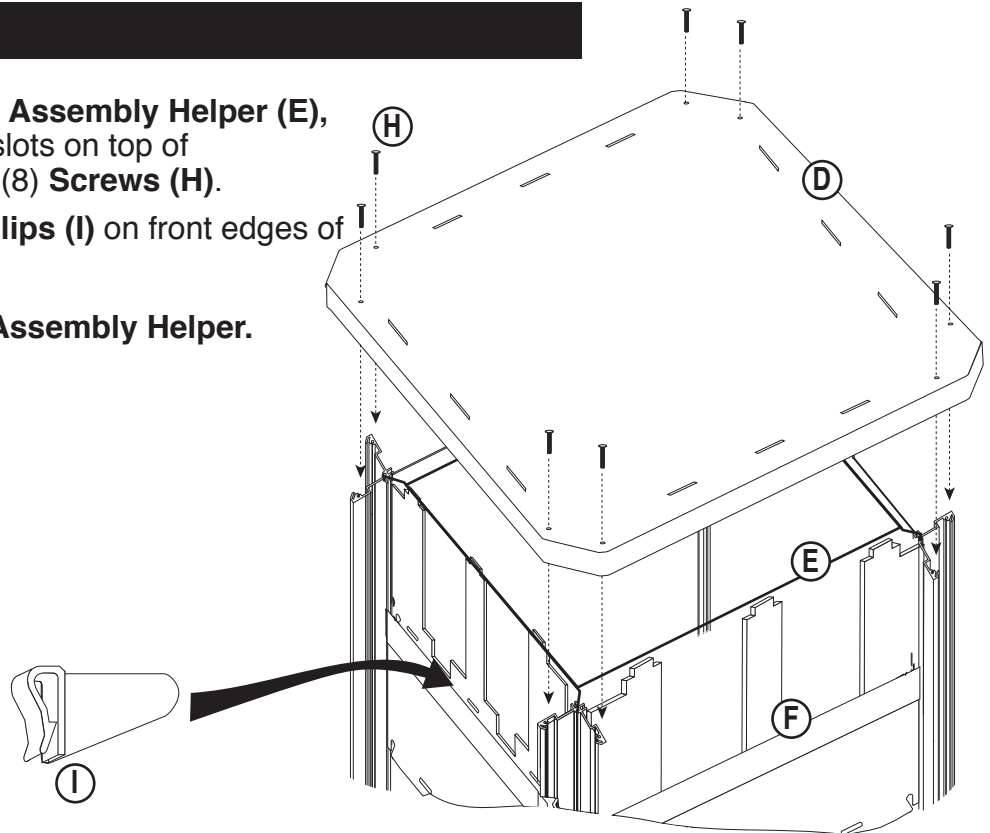


- 2** Insert **Wire Assembly Helper (E)** into top of the **Corner Posts (A)**. Be sure wire goes into center holes (see Fig. 1).
- 3** Peel off protective masking on racks.
- 4** Insert **Racks (F)** into narrow slots of the **Corner Posts (A)** (see Fig. 2). Be sure to engage the tabs of the lower **Racks (F)** with the slots in the upper **Racks (F)** (see Fig. 3).

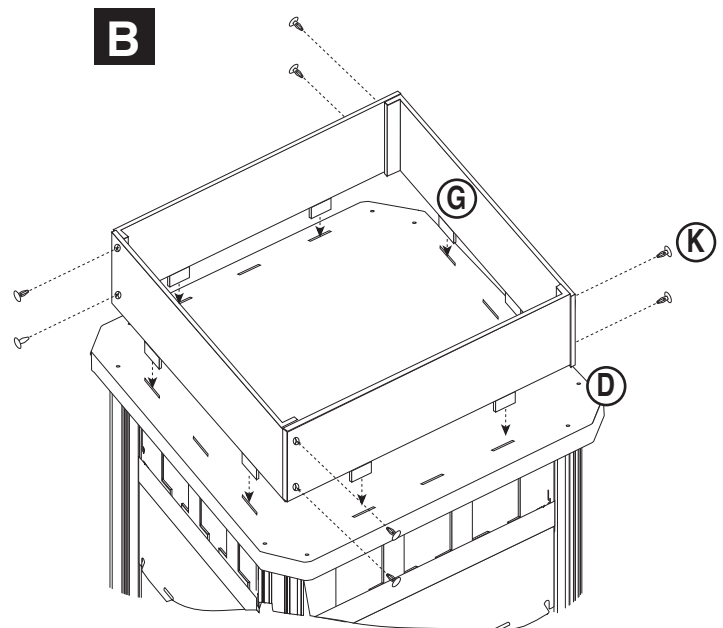
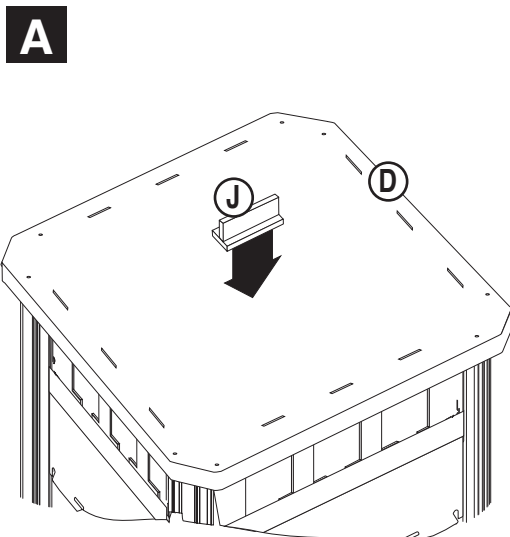
## ASSEMBLY

- 5 Without removing the **Wire Assembly Helper (E)**, install **Top Plate (D)** over slots on top of **Racks (F)** and attach with (8) **Screws (H)**.
- 6 Install (56) **Card Divider Clips (I)** on front edges of **Card Racks (F)**.

**Note:** Do not remove Wire Assembly Helper.



**NOTE:** There are different header styles that are available, please follow the appropriate instructions.



- 7 Remove masking from the adhesive strip on the underside of the **Header Clip (J)**. Place **Header Clip (J)** onto the center of the **Top Plate (D)** and insert signage into **Header Clip (J)**.

Assemble **Header (G)** using **Push Pins (K)**. Set **Header (G)** into slots in top of **Top Plate (D)**.