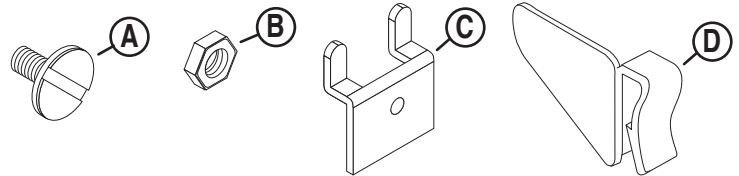


## UPC 8081 Single Tier Card Rack for 3' Above Fixture Extender

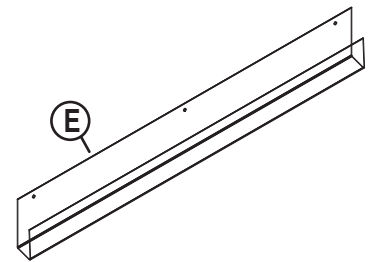
### PARTS BAG

PART	Quantity	Reference
Screw Post	3	A
Nut	3	B
Mounting Bracket	3	C
Card Clips	6	D



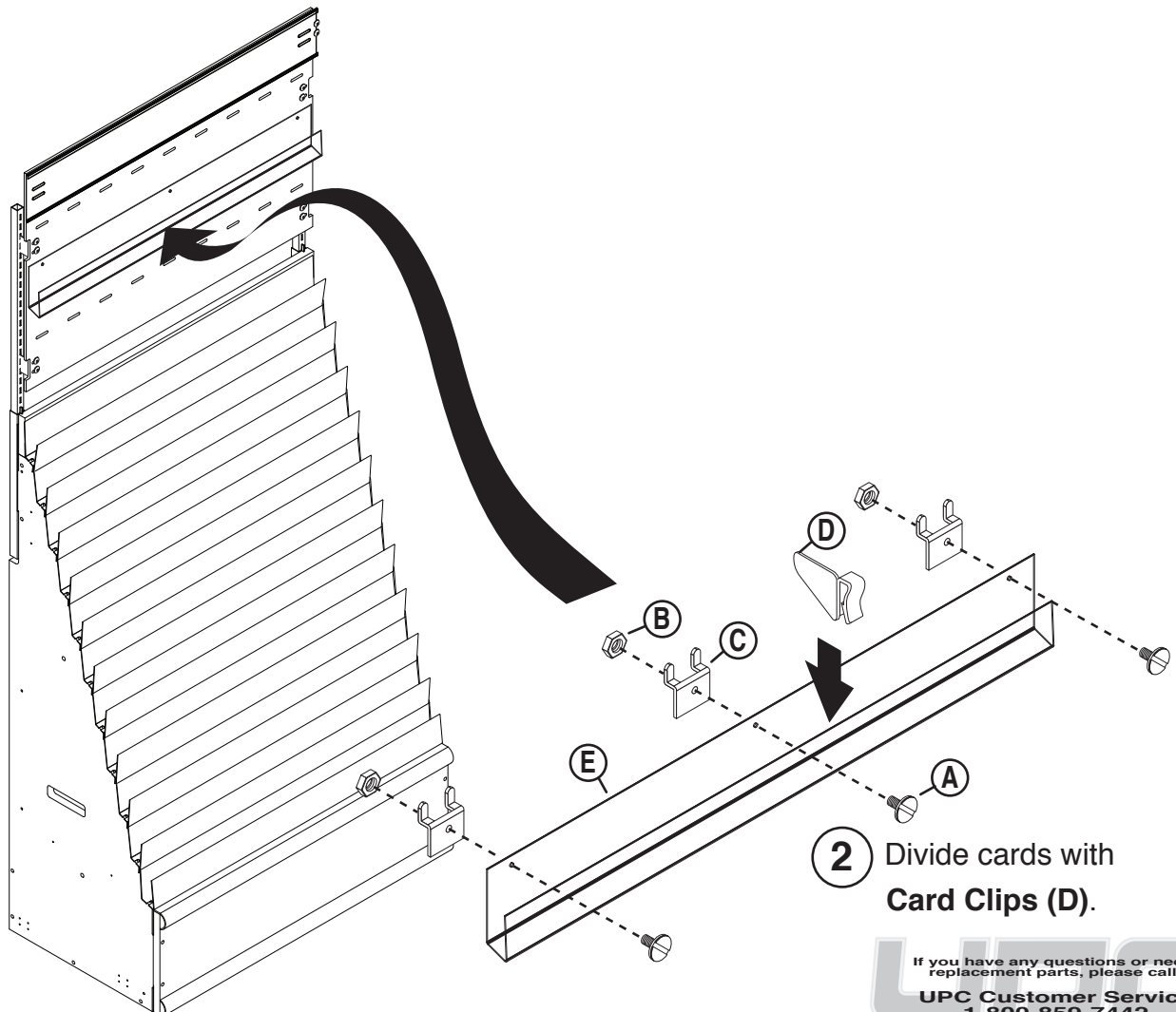
### PARTS LIST

PART	Quantity	Reference
Rack	1	E



### ASSEMBLY

- 1 Attach (3) **Mounting Brackets (C)** to **Rack (E)** using (3) **Screw Posts (A)** and (3) **Nuts (B)**.  
Mount Rack Assembly to Display.



- 2 Divide cards with **Card Clips (D)**.