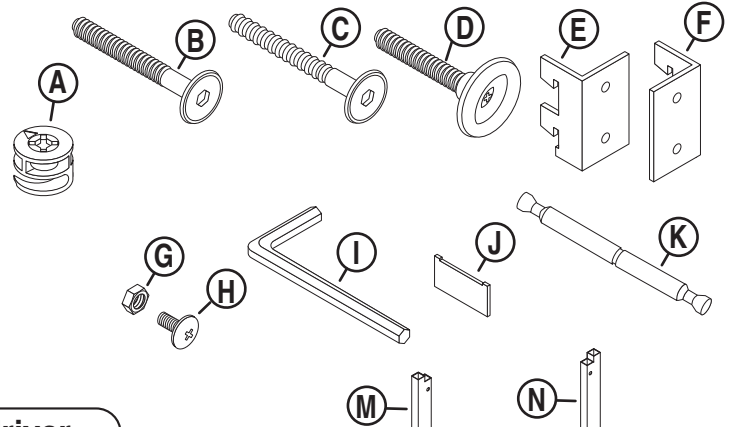


## PARTS BAG

UPC 8079B

4' Inline Slotwall Unit

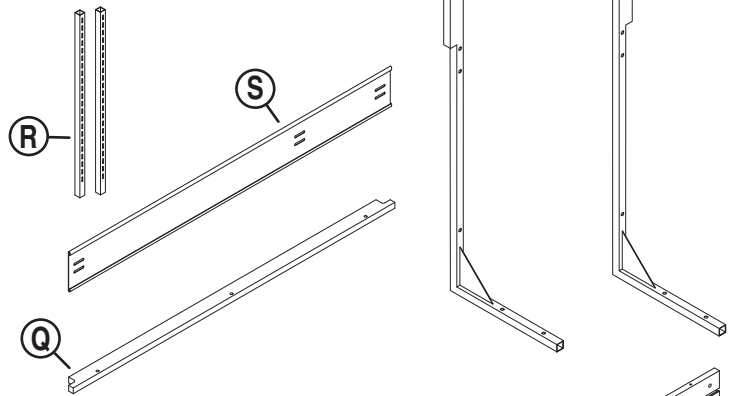
PART	Quantity	Reference
MiniFix 15 Cam	6	A
Connector Bolt	12	B
Connector Bolt-Wood	5	C
Leveler	4	D
Left Bracket	1	E
Right Bracket	1	F
Nut	4	G
3/8" Trusshead Screw	4	H
Hex Wrench	1	I
Key	2	J
Double MiniFix Bolt	3	K



**OTHER TOOLS REQUIRED: #2 Phillips Screwdriver**

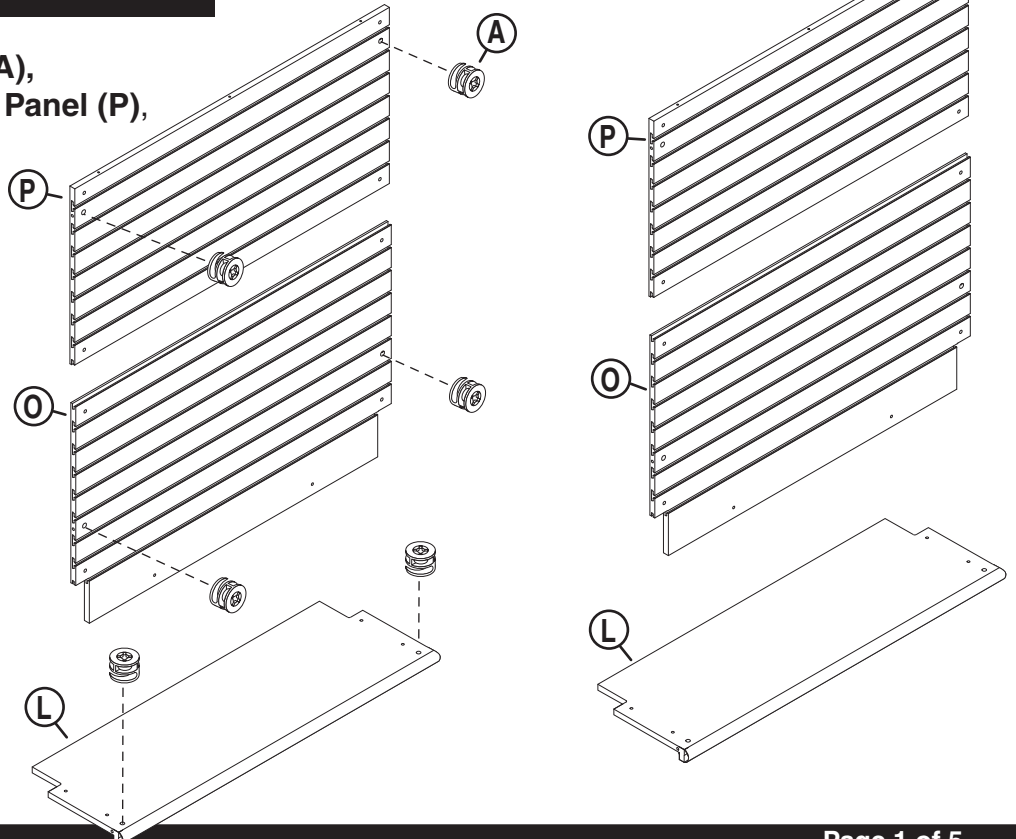
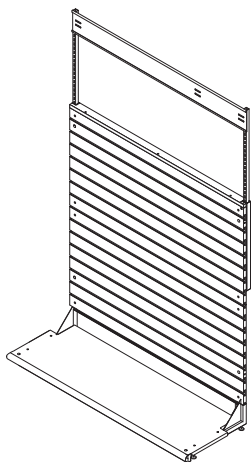
## PARTS

PART	Quantity	Reference
Base Panel	1	L
Left Frame	1	M
Right Frame	1	N
Large Back Panel	1	O
Small Back Panel	1	P
Top Cap	1	Q
Slotted Upright	2	R
Sign Track	1	S



## ASSEMBLY

- 1 Insert (6) MiniFix Cams (A), two each into Small Back Panel (P), Large Back Panel (O) & Base Panel (L).



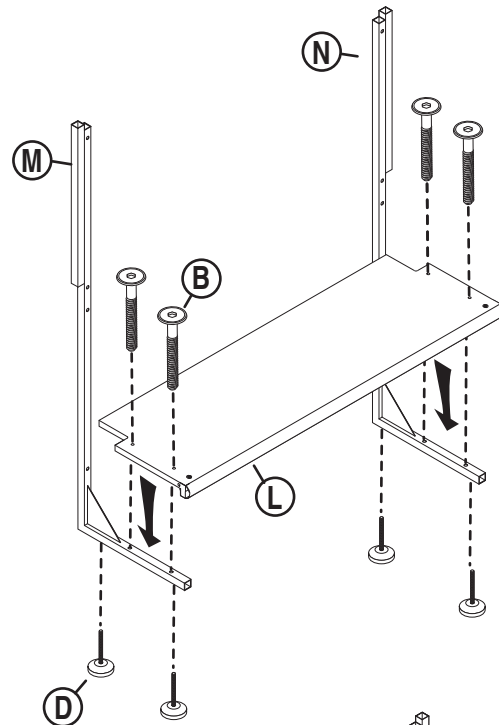
If you have any questions or need replacement parts, please call:

UPC Customer Service  
1-800-859-7442

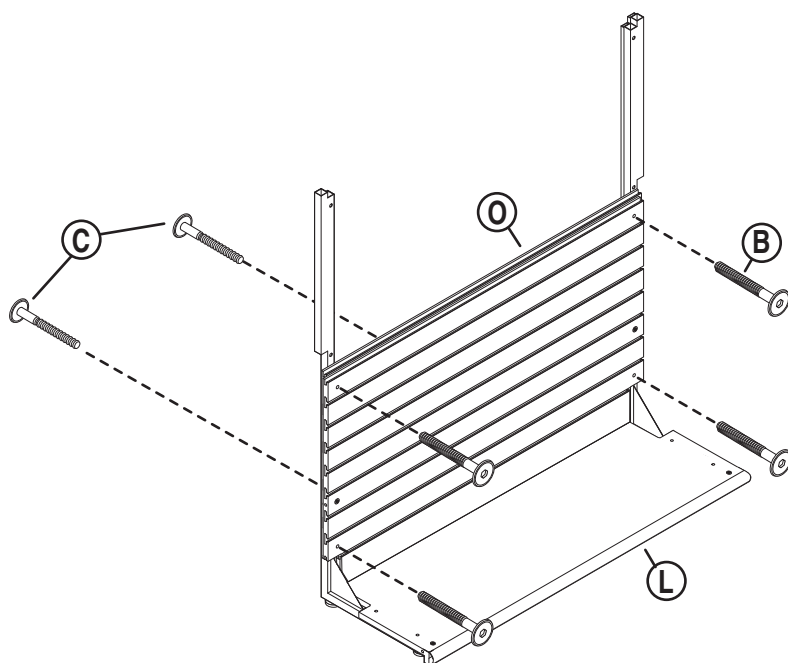
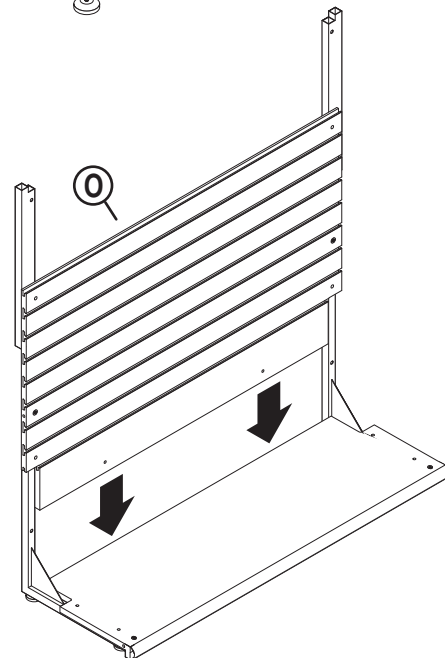
Design & Manufacture

## ASSEMBLY

- 2** Screw (4) **Levelers (D)** to the bottom of **Left Frame (M)** & **Right Frame (N)**. Next attach **Base Panel (L)** to base of **Left Frame (M)** and **Right Frame (N)** using (4) **Connector Bolts (B)**.



- 3** Attach **Large Back Panel (O)** to base assembly using (4) **Connector Bolts (B)**. Next move to the back of assembly & attach the **Large Back Panel (O)** to **Base Panel (L)** using (2) **Connector Bolts - Wood (C)**.



If you have any questions or need replacement parts, please call:

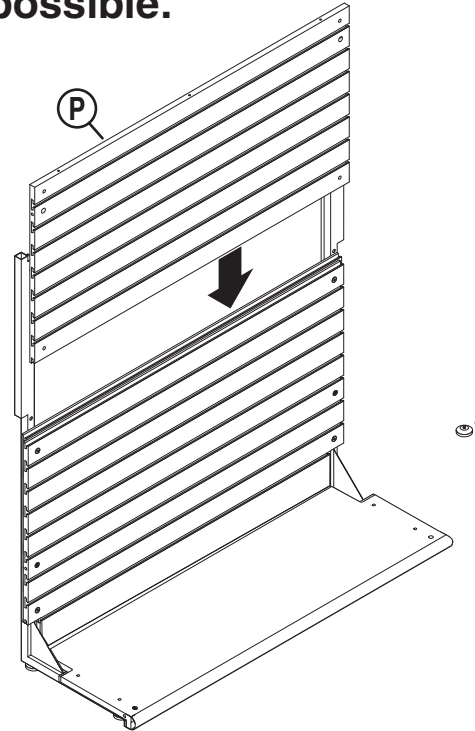
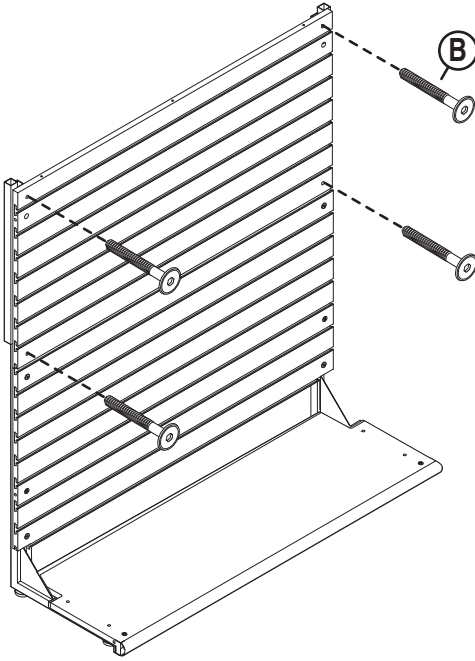
UPC Customer Service  
1-800-859-7442

Design & Manufacture

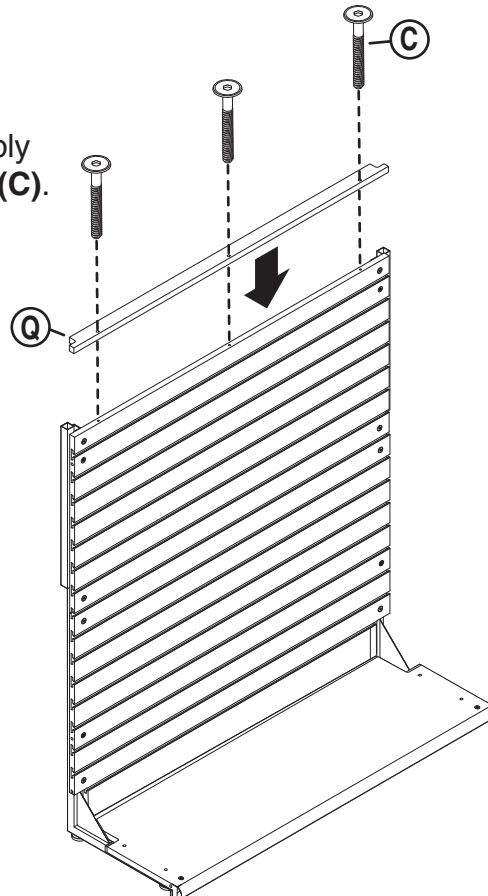
## ASSEMBLY

**Note: Make sure the edges Small Back Panel (P) of are flush with the sides of frame or attaching to other units will be impossible.**

- 4** Slide **Small Back Panel (P)** onto the base assembly and attach using (4) **Connector Bolts (B)**.



- 5** Attach **Top Cap (Q)** to base assembly using (3) **Connector Bolts - Wood (C)**.



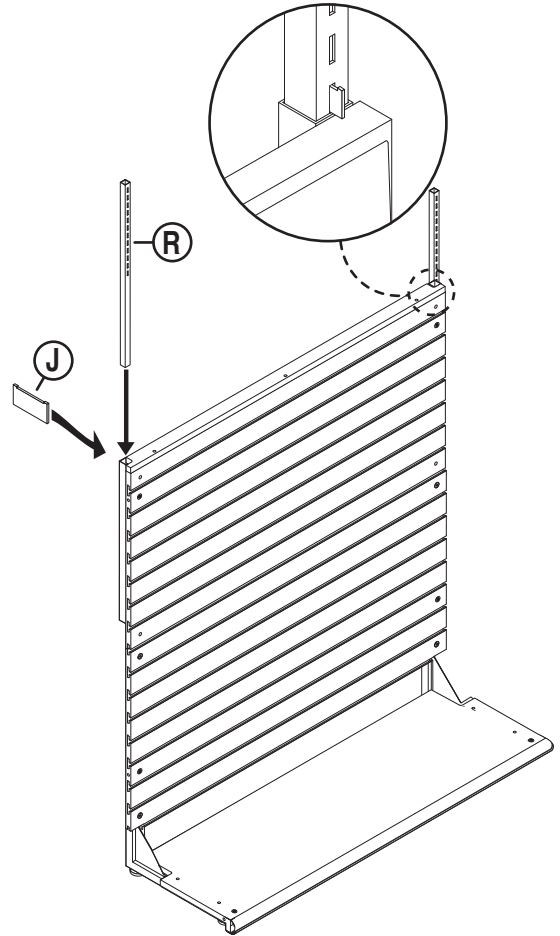
If you have any questions or need replacement parts, please call:

**UPC Customer Service**  
1-800-859-7442

**Design & Manufacture**

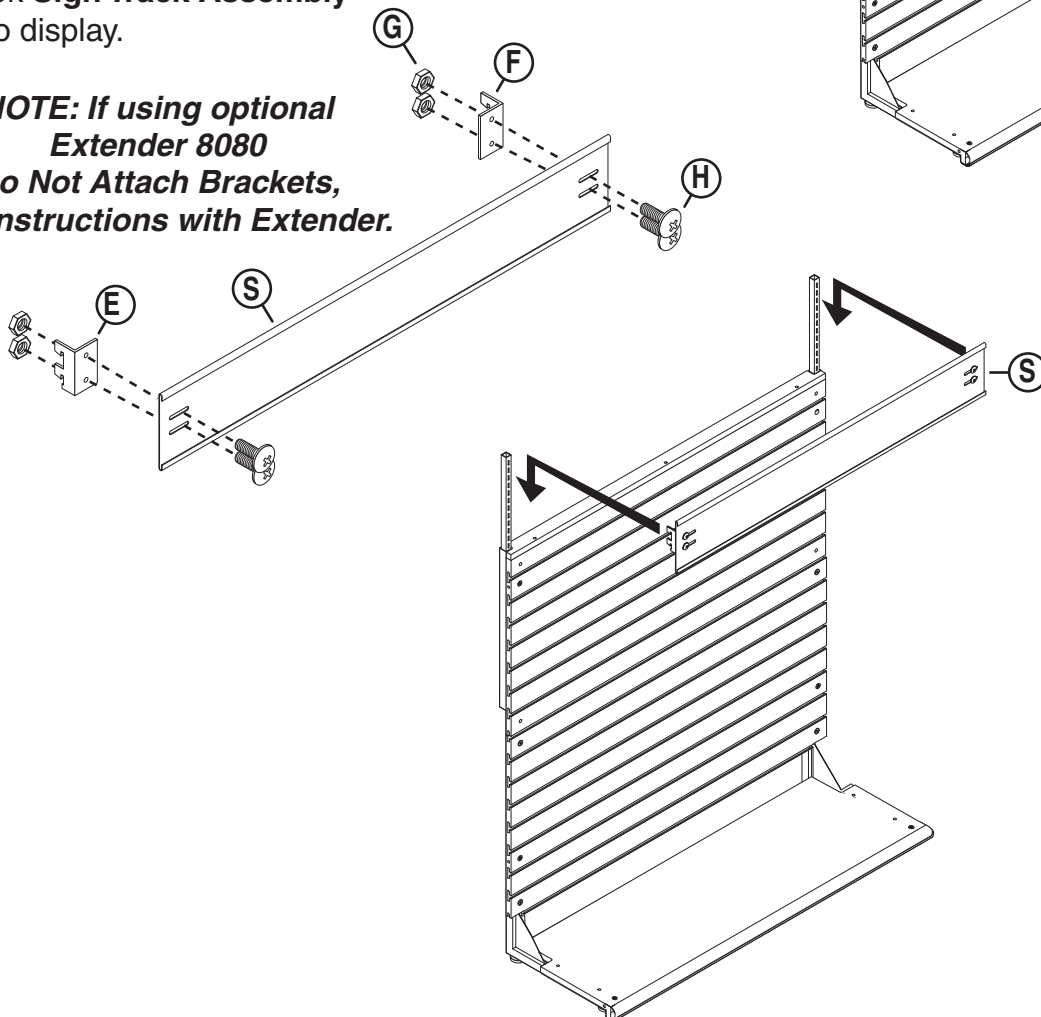
## ASSEMBLY

- 6** Insert (2) **Slotted Uprights (R)** in square holes in top of assembly and secure at desired height using (2) **Keys (J)** with *indentations up*.



- 7** Attach **Left & Right Brackets (E&F)** to back of **Sign Track (S)** using (4) **Nuts (G)** and (4) **3/8" Trusshead Screws (H)**.  
*Be sure Bracket slots open down.*  
Hook **Sign Track Assembly** onto display.

**NOTE: If using optional Extender 8080**  
**Do Not Attach Brackets,**  
**see instructions with Extender.**



If you have any questions or need replacement parts, please call:

UPC Customer Service  
1-800-859-7442

Design & Manufacture

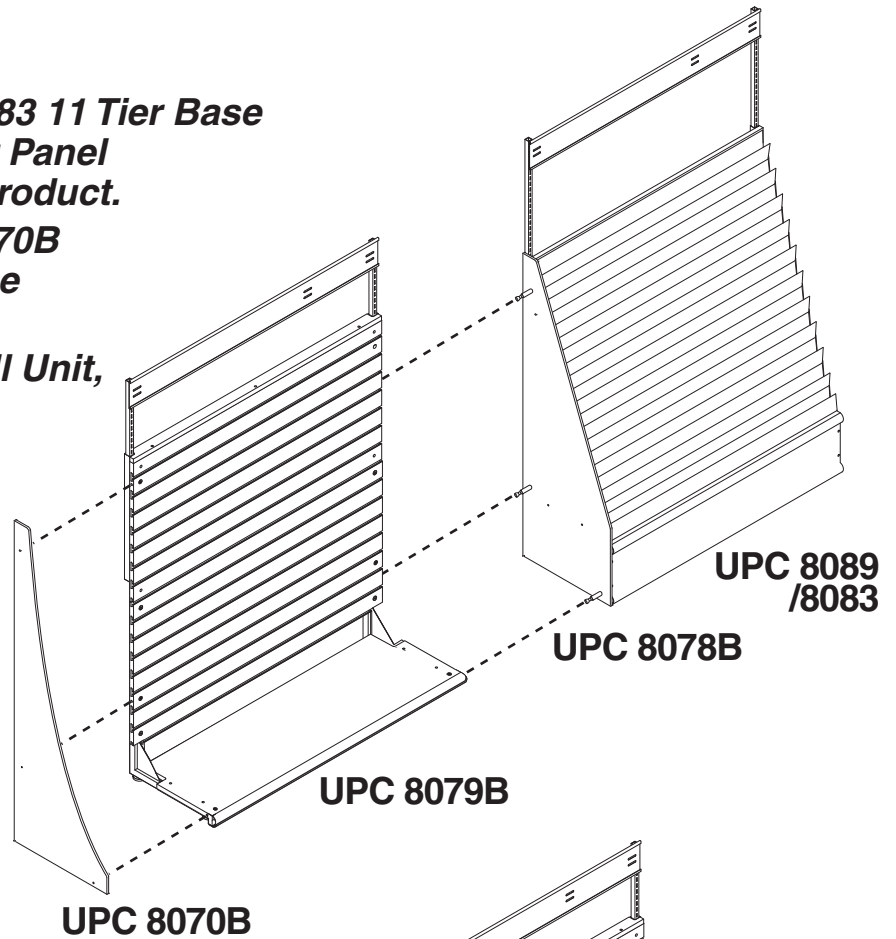
## ASSEMBLY

### NOTE:

*If using adjacent to an 8089 / 8083 11 Tier Base connect using an 8078B Divider Panel and use instructions with that product.*

*If using as a row end, use an 8070B End Panel and connect using the instructions with that product.*

*If connecting to another Slotwall Unit, see step below.*



### OPTIONAL STEP 8

UPC 8070B

Insert (3) **Double MiniFix Bolts (K)** into holes corresponding with MiniFix Cams in positioned Slotwall Unit and tighten MiniFix Cams.

Slide next Slotwall Unit into position, engaging Bolts in holes and tighten MiniFix Cams.

