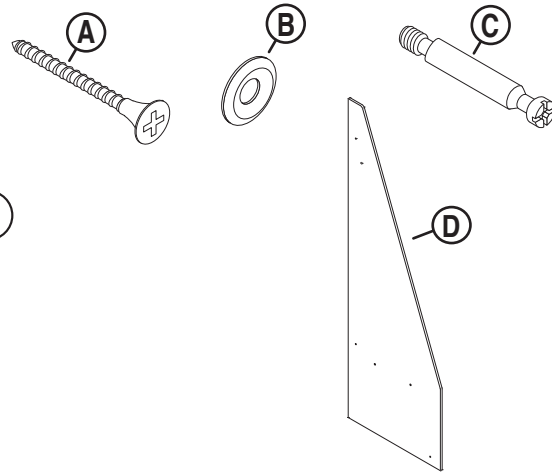


## PARTS BAG UPC 8078B Inline Slotwall Unit Divider Panel

PART	Quantity	Reference
Screw	3	A
Washer	3	B
MiniFix Bolt	4 (1 extra)	C



**TOOLS REQUIRED: #2 Phillips Screwdriver**

## PARTS

PART	Quantity	Reference
Divider Panel	1	D

## ASSEMBLY

Attach **Divider Panel (D)** to side of pre-positioned 8083 / 8089 11 Tier Base using (3) **Screws (A)** and (3) **Washers (B)**.

Insert (3) **MiniFix Bolts (C)** into holes in 8083 / 8089 11 Tier Base and tighten.

Marry 8079B Slotwall Display and 8083 / 8089 11 Tier Base and secure by tightening (3) MiniFix Cams in slotwall display.

**!! READ FIRST !!**

### MiniFix Instructions

- 1) Screw MiniFix Bolt into panel.
- 2) Point arrow on MiniFix Cam toward MiniFix Bolt hole and insert MiniFix Bolt into hole.
- 3) Turn MiniFix Cam clockwise to lock Cam over Bolt.

