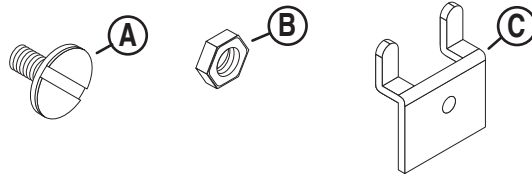


UPC 8072

Two Tier Card Rack for 4' Above Fixture Extender

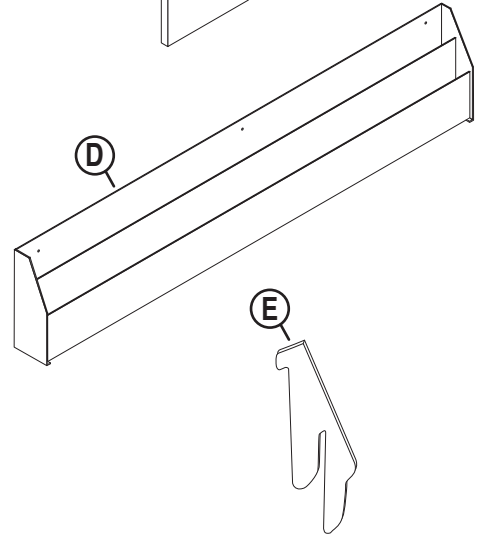
PARTS BAG

PART	Quantity	Reference
Screw Post	3 (1 extra)	A
Nut	3 (1 extra)	B
Mounting Bracket	3 (1 extra)	C



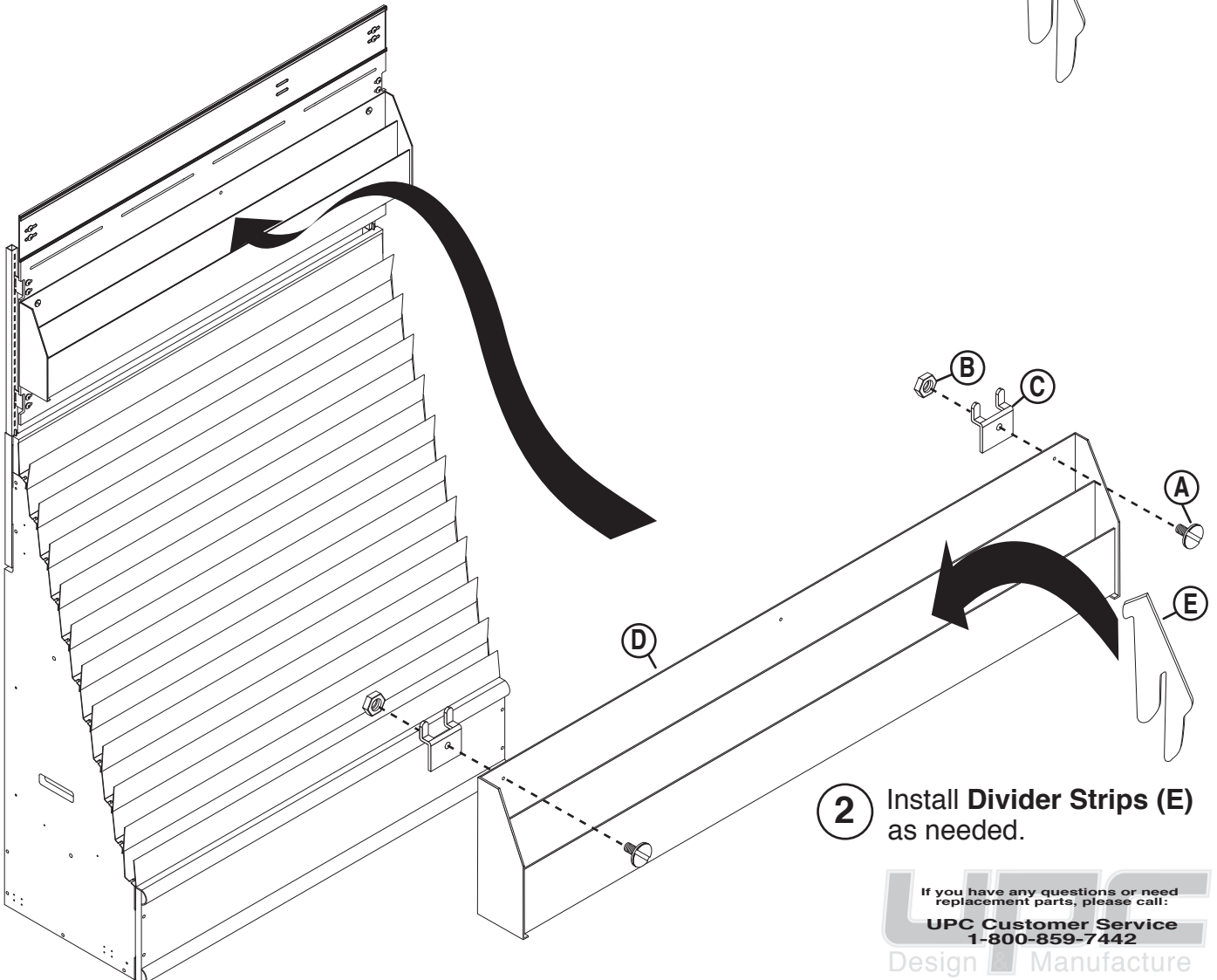
PARTS LIST

PART	Quantity	Reference
Rack	1	D
Divider Strips	8	E



ASSEMBLY

- Attach (2) **Mounting Brackets (C)** to **Rack (D)** using (2) **Screw Posts (A)** and (2) **Nuts (B)**.
Mount Rack Assembly to Display.



- Install **Divider Strips (E)** as needed.

If you have any questions or need replacement parts, please call:
UPC Customer Service
1-800-859-7442
Design & Manufacture