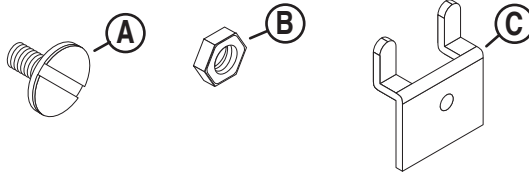


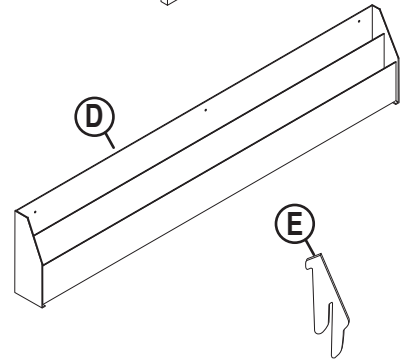
## UPC 8071 Two Tier Card Rack for 3' Above Fixture Extender

PART	Quantity	Reference
Screw Post	3	A
Nut	3	B
Mounting Bracket	3	C



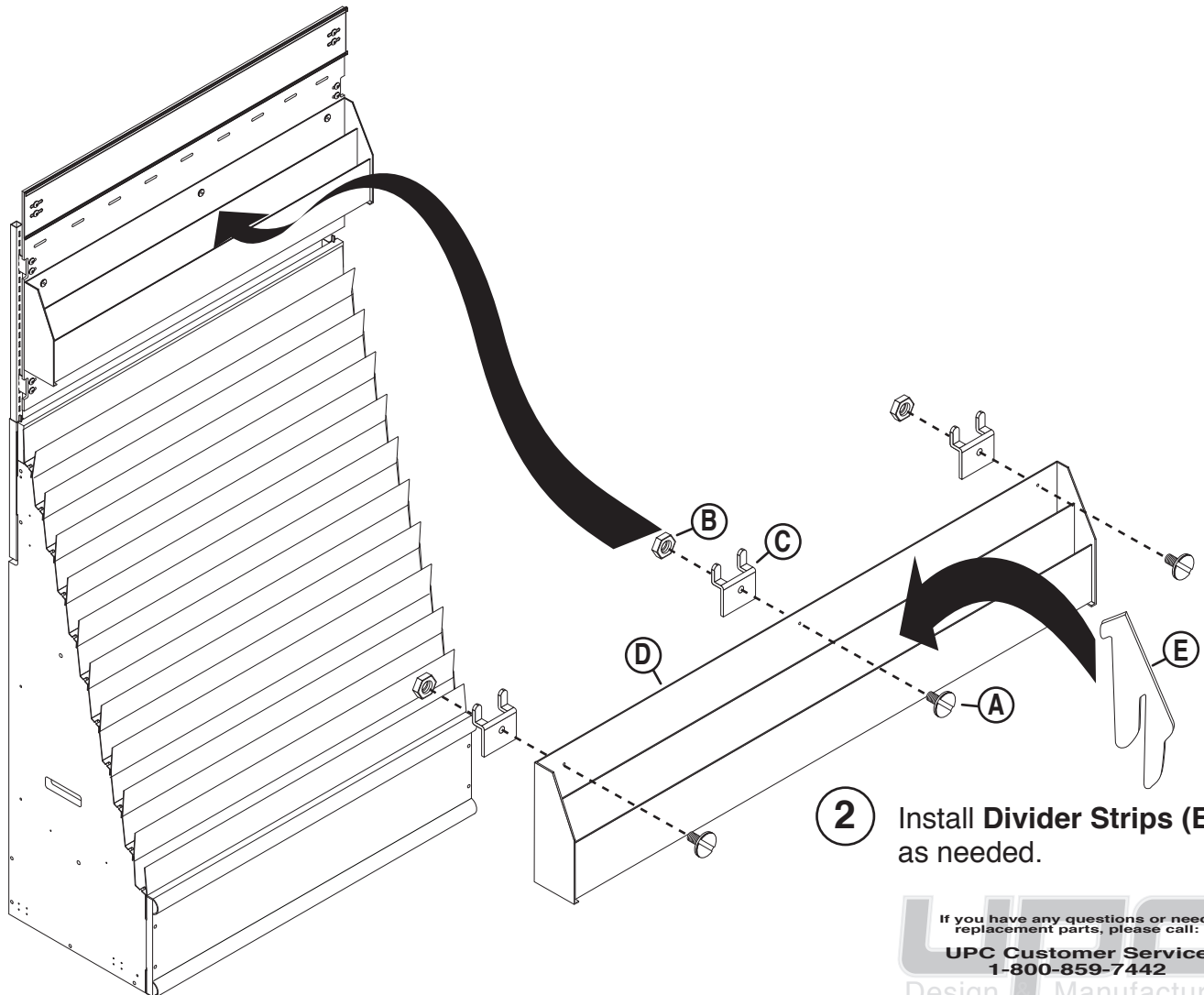
### PARTS LIST

PART	Quantity	Reference
Rack	1	D
Divider Strips	5	E



### ASSEMBLY

**1** Attach (3) **Mounting Brackets (C)** to **Rack (D)** using (3) **Screw Posts (A)** and (3) **Nuts (B)**.  
Mount Rack Assembly to Display.



**2** Install **Divider Strips (E)** as needed.

**UPC**  
Design & Manufacture  
If you have any questions or need replacement parts, please call:  
**UPC Customer Service**  
1-800-859-7442