

PARTS BAG

UPC 8070B

Inline Slotwall End Panel Set

PART	Quantity	Reference
MiniFix Cap-Bolt	6	A

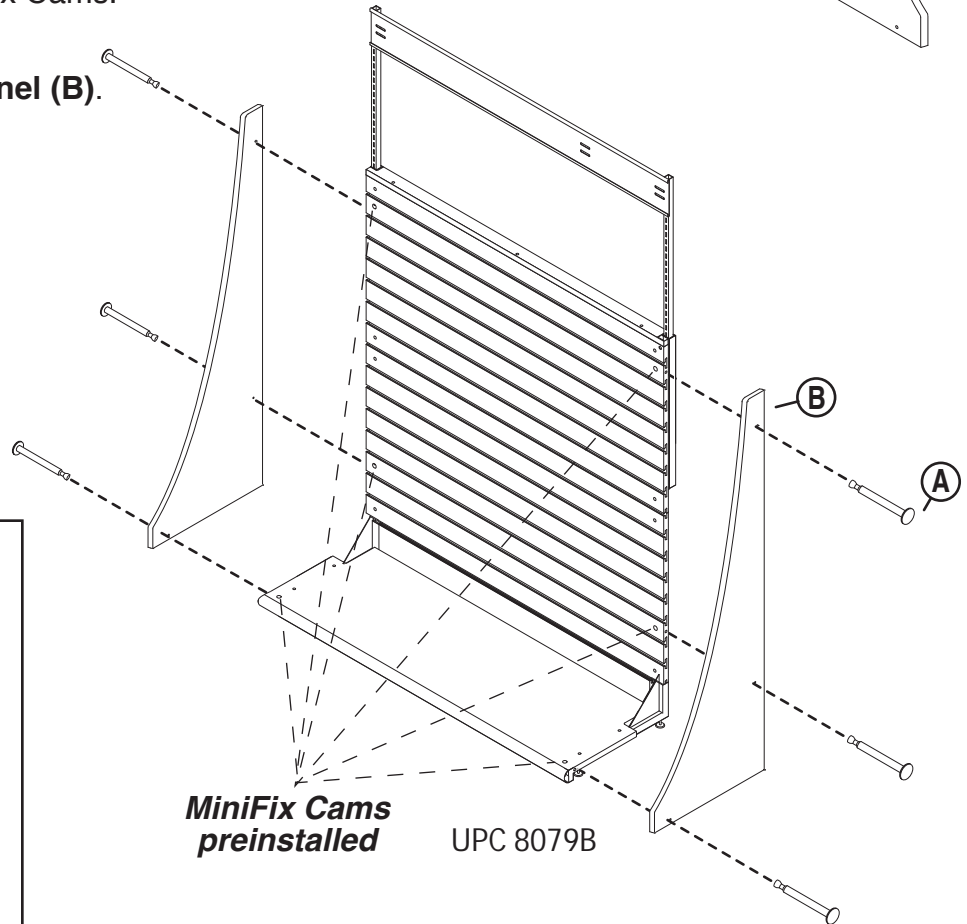
TOOLS REQUIRED: #2 Phillips Screwdriver

PARTS

PART	Quantity	Reference
End Panel	2	B

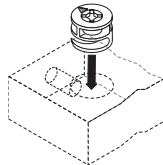
ASSEMBLY

- Attach **End Panel (B)** to 8079B Slotwall Display using (3) **MiniFix Cap-Bolts (A)**. Secure with preinstalled MiniFix Cams. See *MiniFix Note* below. Repeat to install other **End Panel (B)**.



MiniFix Note:

- 1) Install Cam Lock in holes and point arrow towards edge hole.



- 2) Turn Cam-Lock clockwise to Lock Cam over MiniFix Bolt.

