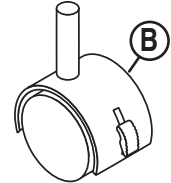
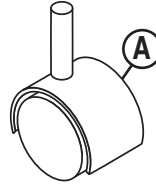


Thank you for your purchase of one of many fine products designed & manufactured by UPC. We have made every effort to make your assembly easy, clear & hassle free. For more information or if you have any questions contact customer service at 1-800-859-7442.

PARTS BAG

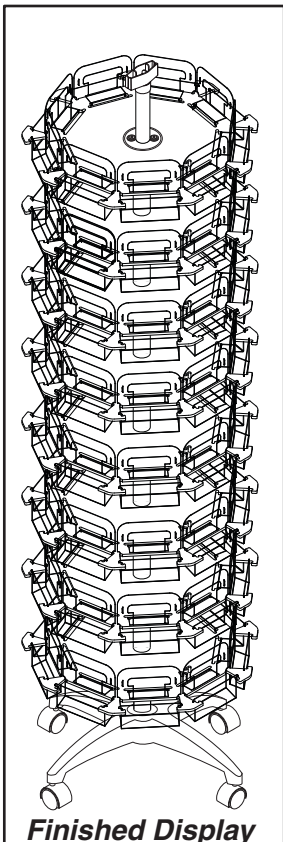
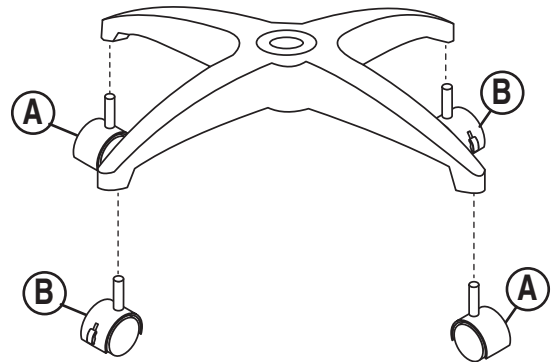
UPC 80409 - Daisy Caster Kit

PART	Quantity	Reference
Non-Locking Caster	2	A
Locking Caster	2	B



ASSEMBLY

- 1 Install (2) Non-Locking Casters (A) and (2) Locking Casters (B) to base using method shown below.



If you have any questions please call:
UPC Customer Service

1-800-859-7442
Design & Manufacture
upcdisplays.com