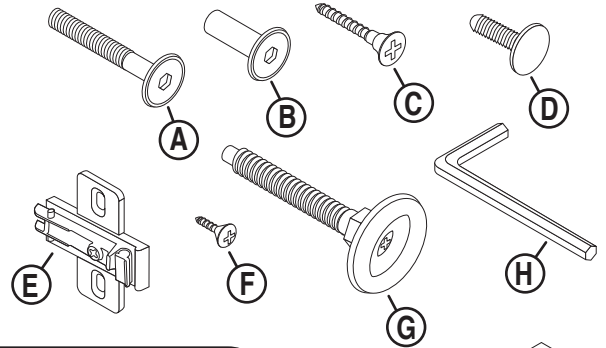


PARTS BAG UPC 7134A, 7136A, 7138A 13 Tier Traditional Card Fixture

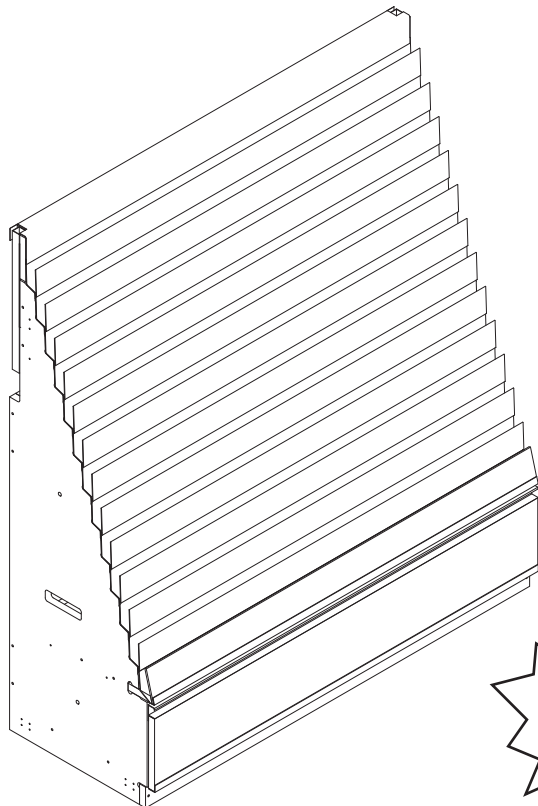
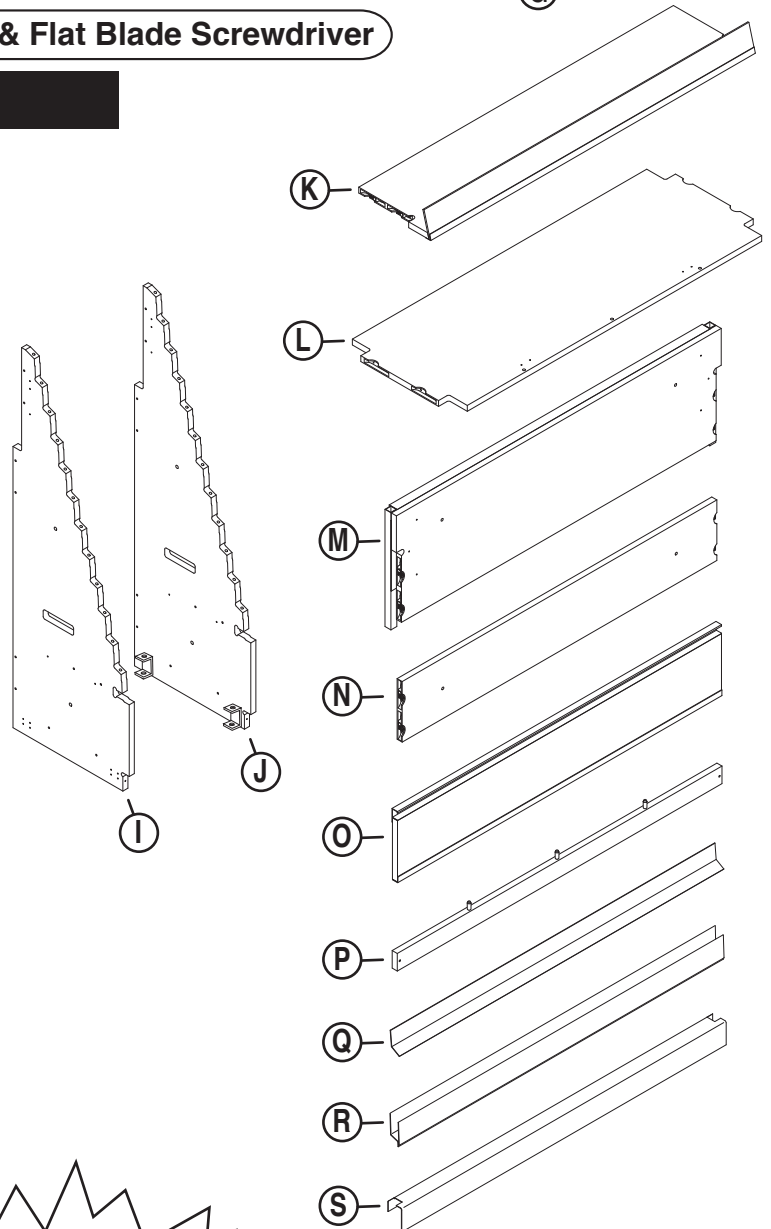
PART	Quantity	Reference
Connector Bolt	2	A
Connector Nut	2	B
Screw	2	C
Push Pin	29 (5 extra)	D
Hinge Plate	2	E
Hinge Screw	4	F
Leveler Foot	4	G
Hex Wrench	2	H



TOOLS REQUIRED: #2 Phillips Screwdriver & Flat Blade Screwdriver

PARTS

PART	Quantity	Reference
Left Side	1	I
Right Side	1	J
Center Plate	1	K
Bottom Plate	1	L
Top Panel	1	M
Cross Panel	2	N
Door	1	O
Kick Panel	1	P
Bottom Lip	1	Q
Rack	12	R
Top Cap	1	S



Assembly will be much easier with two people!

If you have any questions or need replacement parts, please call:
UPC Customer Service
 1-800-859-7442
 Design & Manufacture

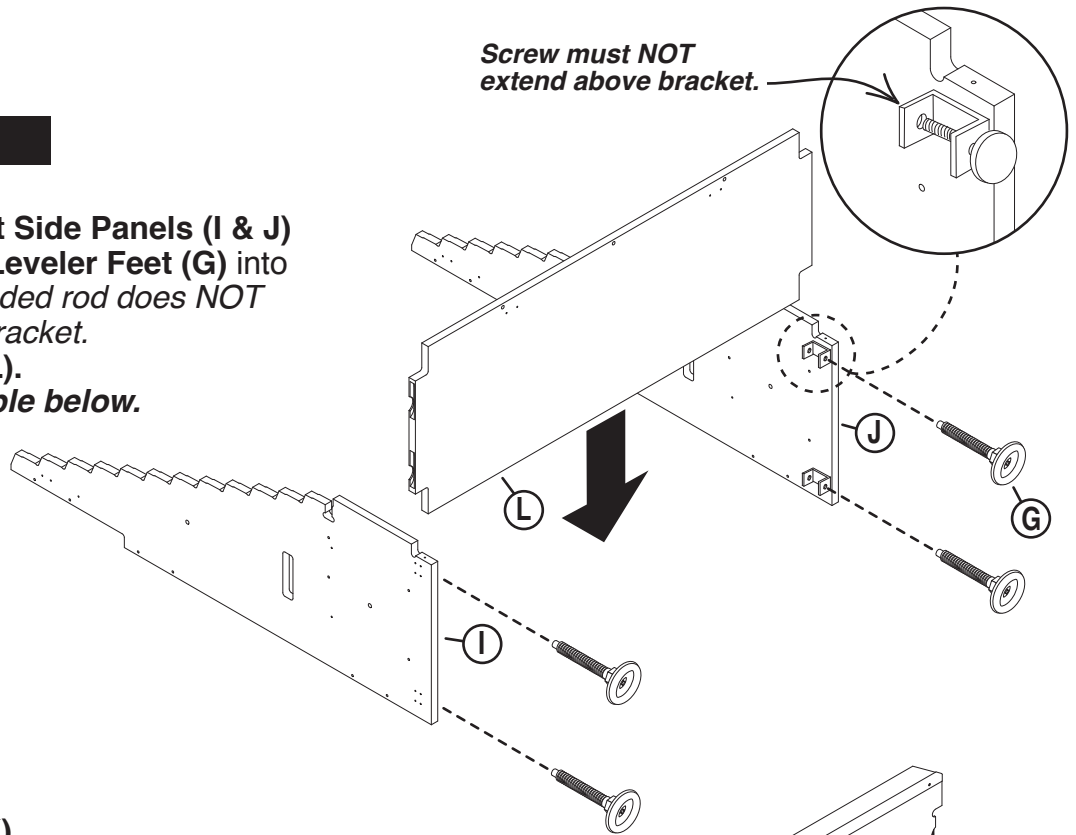
If you have any questions or need replacement parts, please call:

UPC Customer Service
1-800-859-7442

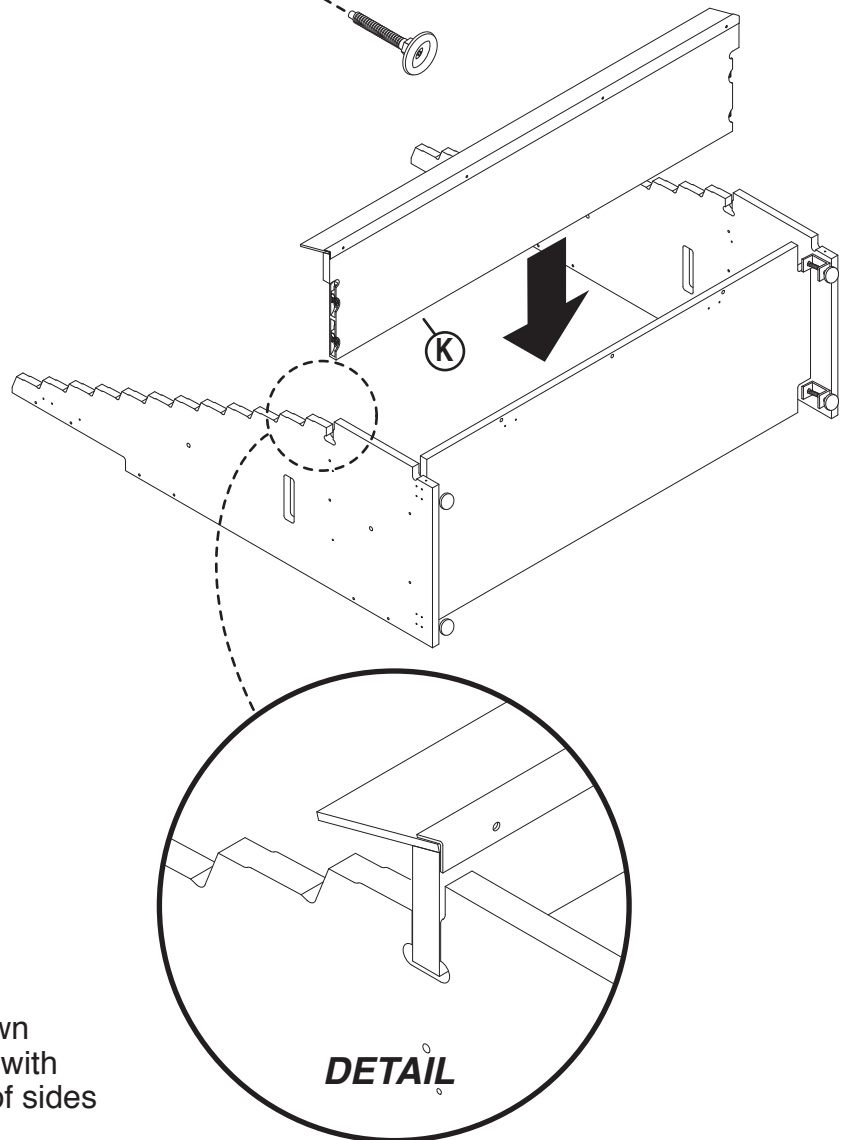
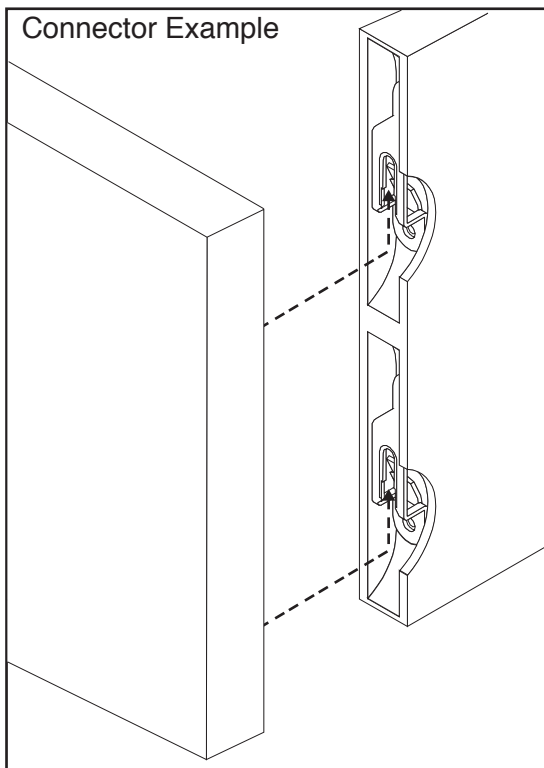
Design & Manufacture

ASSEMBLY

- 1 Position **Left and Right Side Panels (I & J)** on floor and screw (4) **Leveler Feet (G)** into brackets. *Be sure threaded rod does NOT extend beyond top of bracket.* Attach **Bottom Plate (L)**. *See Connector Example below.*



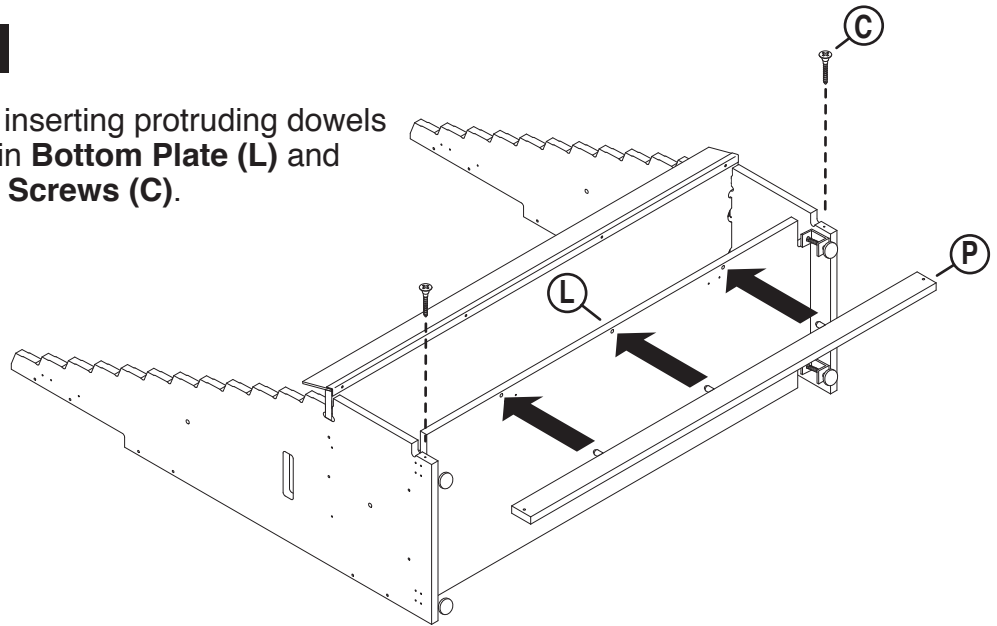
- 2 Attach **Center Plate (K)** to the assembly. *See Detail below right.*



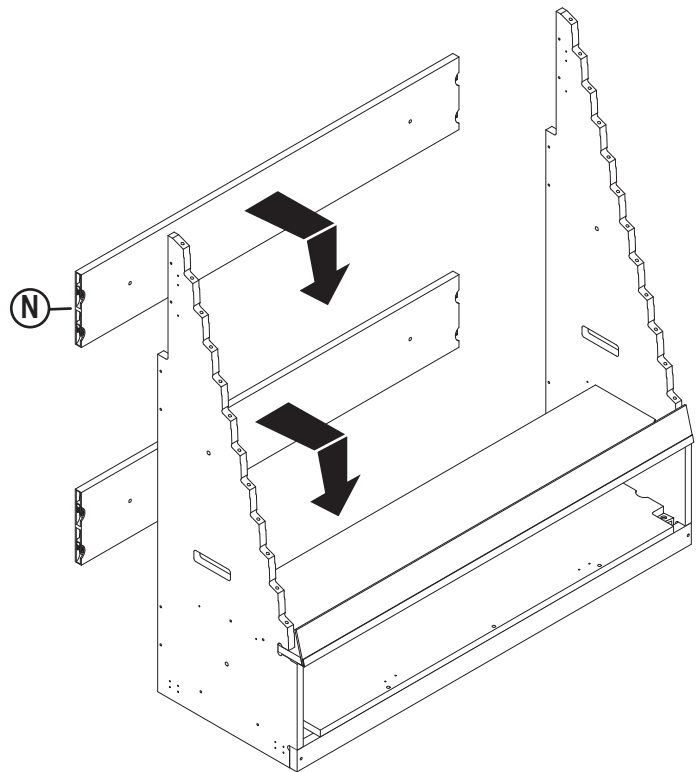
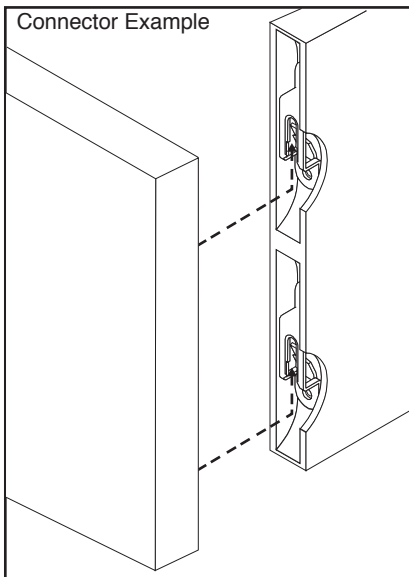
To assemble plate to sides, slide plate down over shoulder screws until they are in line with clip raceway and slide plate toward back of sides until plate "clicks" into place.

ASSEMBLY

- 3** Attach **Kick Panel (P)** by inserting protruding dowels into corresponding holes in **Bottom Plate (L)** and securing to Sides with (2) **Screws (C)**.



- 4** Stand fixture upright.
Attach (2) **Cross Panels (N)** to assembly.
See Connector Example below.



To assemble panels to sides, slide panel down over shoulder screws until they are in line with clip raceway and slide brace down the back of the sides until panel "clicks" into place.

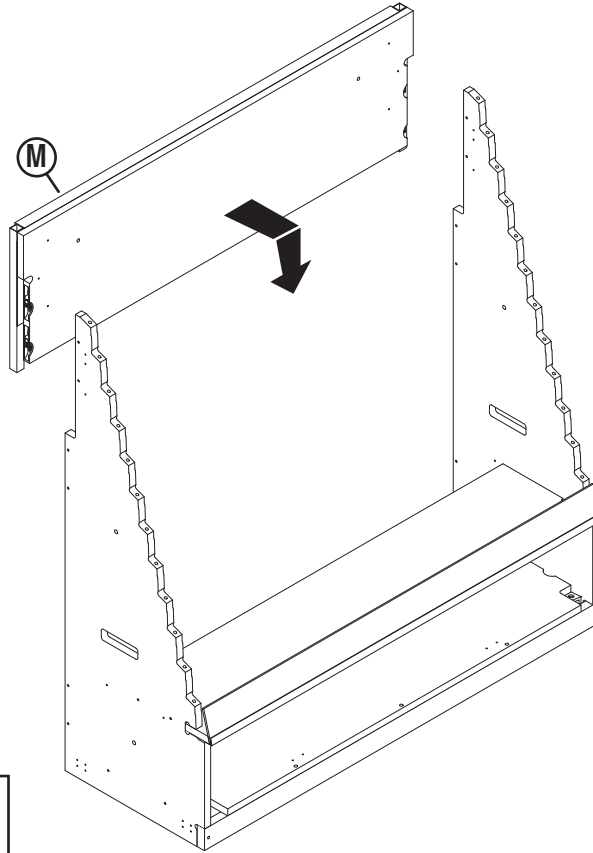
If you have any questions or need replacement parts, please call:

UPC Customer Service
1-800-859-7442

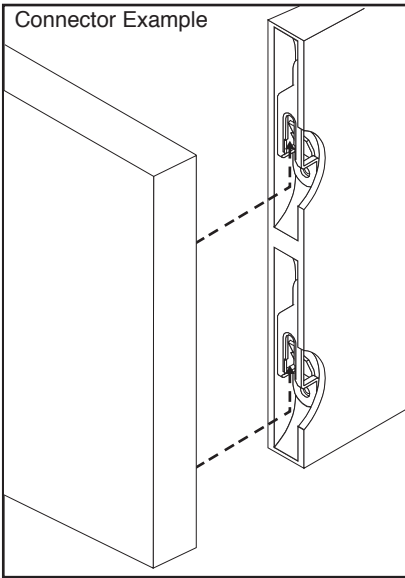
Design & Manufacture

ASSEMBLY

- 5** Attach Top Panel (M) to assembly.



Connector Example



If you have any questions or need replacement parts, please call:

UPC Customer Service

1-800-859-7442

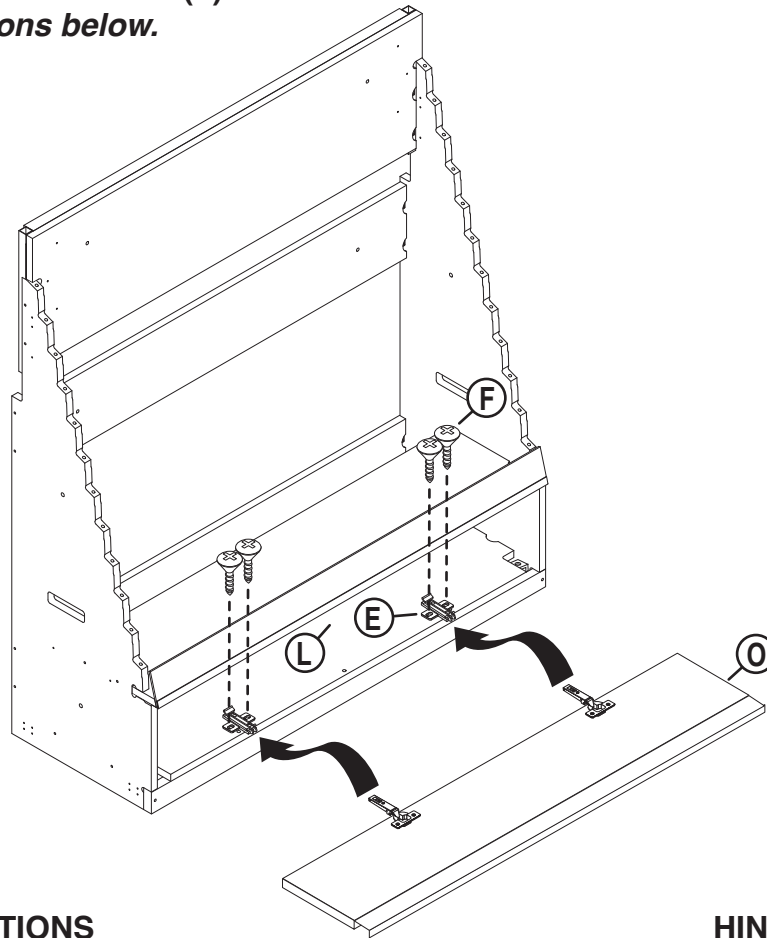
Design & Manufacture

ASSEMBLY

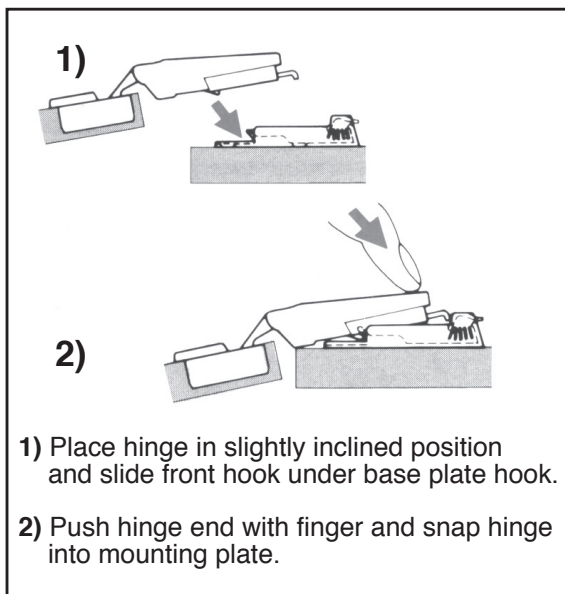
- 6 Attach (2) Hinge Plates (E) to Bottom Plate (L) using (4) Hinge Screws (F).

Mount Door (O) to Bottom Plate (L).
See Hinge Instructions below.

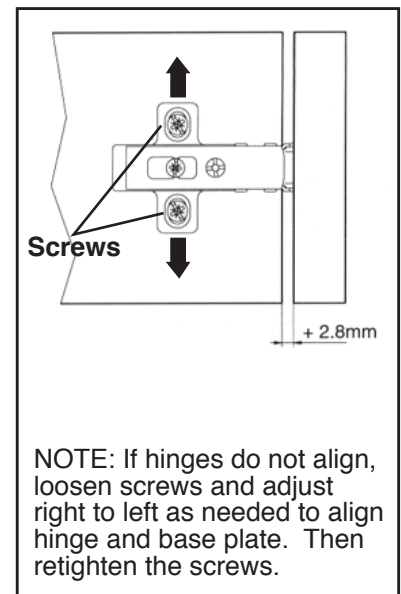
**NOTE: When attaching – listen for the click!
After attaching Door (O) pull and twist it to be sure it is securely attached.**



HINGE INSTRUCTIONS



HINGE ADJUSTMENT



If you have any questions or need replacement parts, please call:

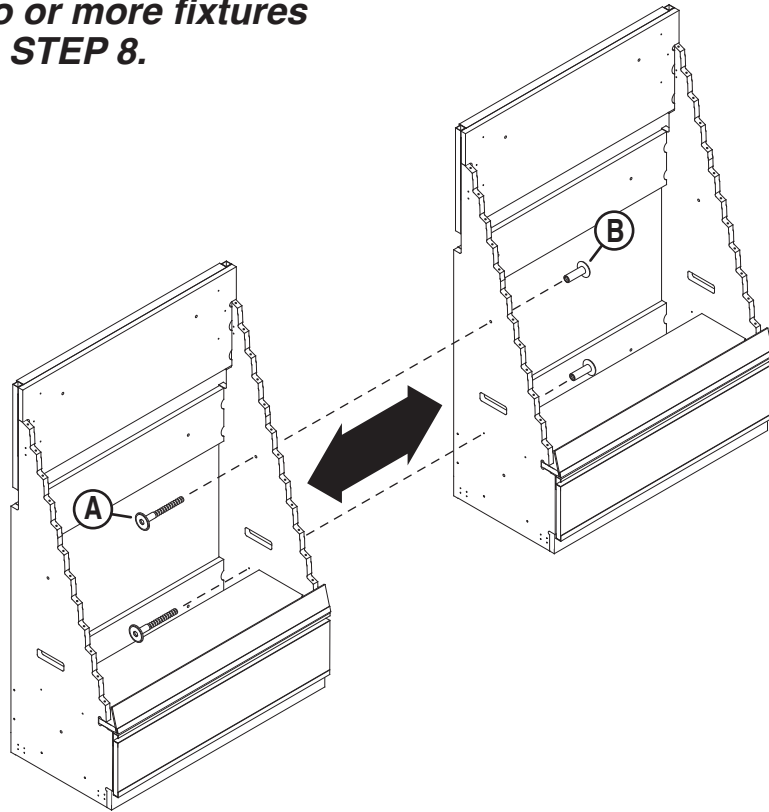
UPC Customer Service
1-800-859-7442

Design & Manufacture

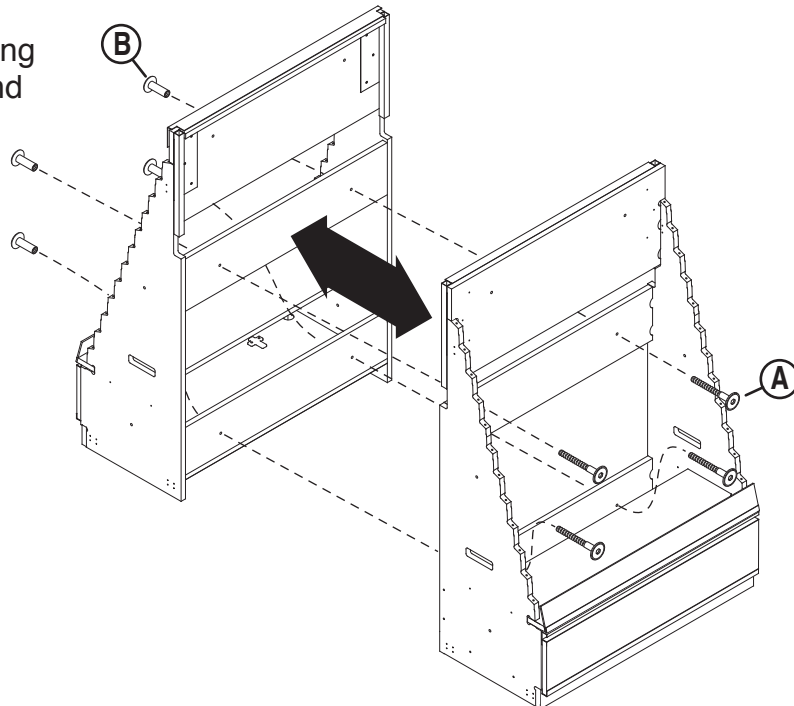
ASSEMBLY

NOTE: If you are NOT using two or more fixtures together, move ahead to STEP 8.

- 7** For **SIDE TO SIDE**:
Secure fixtures together using
(2) **Connector Bolts (A)** and
(2) **Connector Nuts (B)**
as shown at right.



- For **BACK TO BACK**:
Secure fixtures together using
(4) **Connector Bolts (A)** and
(4) **Connector Nuts (B)**
as shown at right.



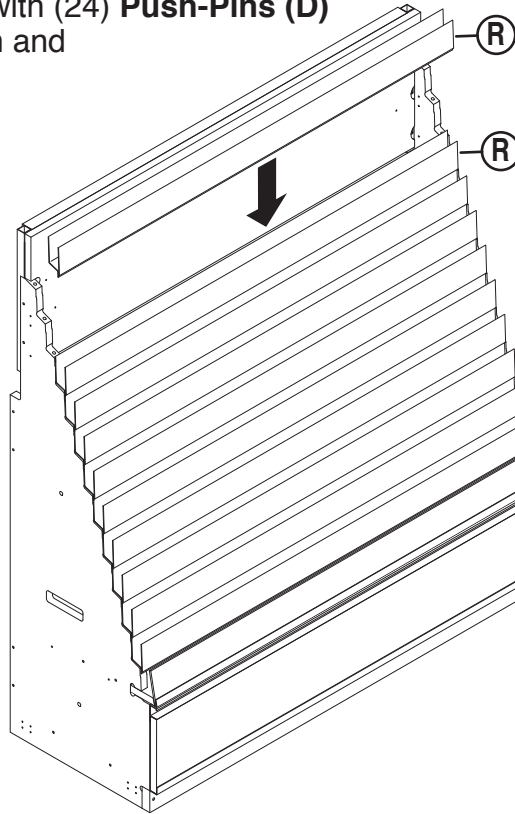
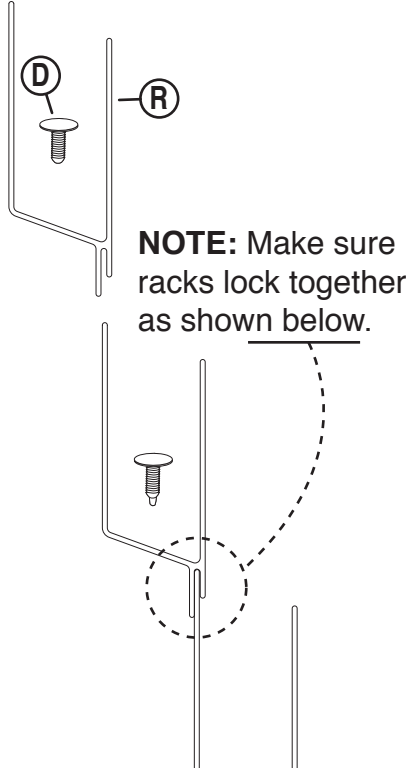
If you have any questions or need replacement parts, please call:

UPC Customer Service
1-800-859-7442

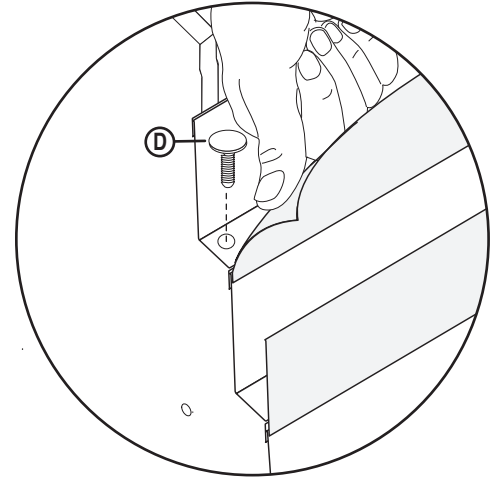
Design & Manufacture

ASSEMBLY

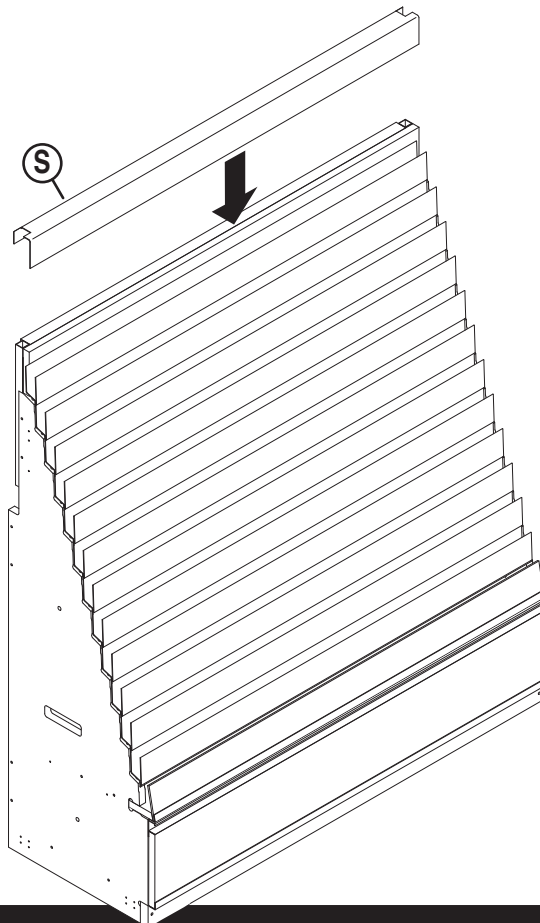
- 8** Install (12) **Racks (R)** with (24) **Push-Pins (D)** starting with the bottom and working your way up.



TIP: Many installers gently bend the rack open (below) and use the end of a screwdriver handle or hammer handle to press **Push-Pins (D)** firmly into place.



- 9** Remove masking from double sided tape, center side to side, and attach **Top Cap (S)**. Press down firmly to adhere.



If you have any questions or need replacement parts, please call:

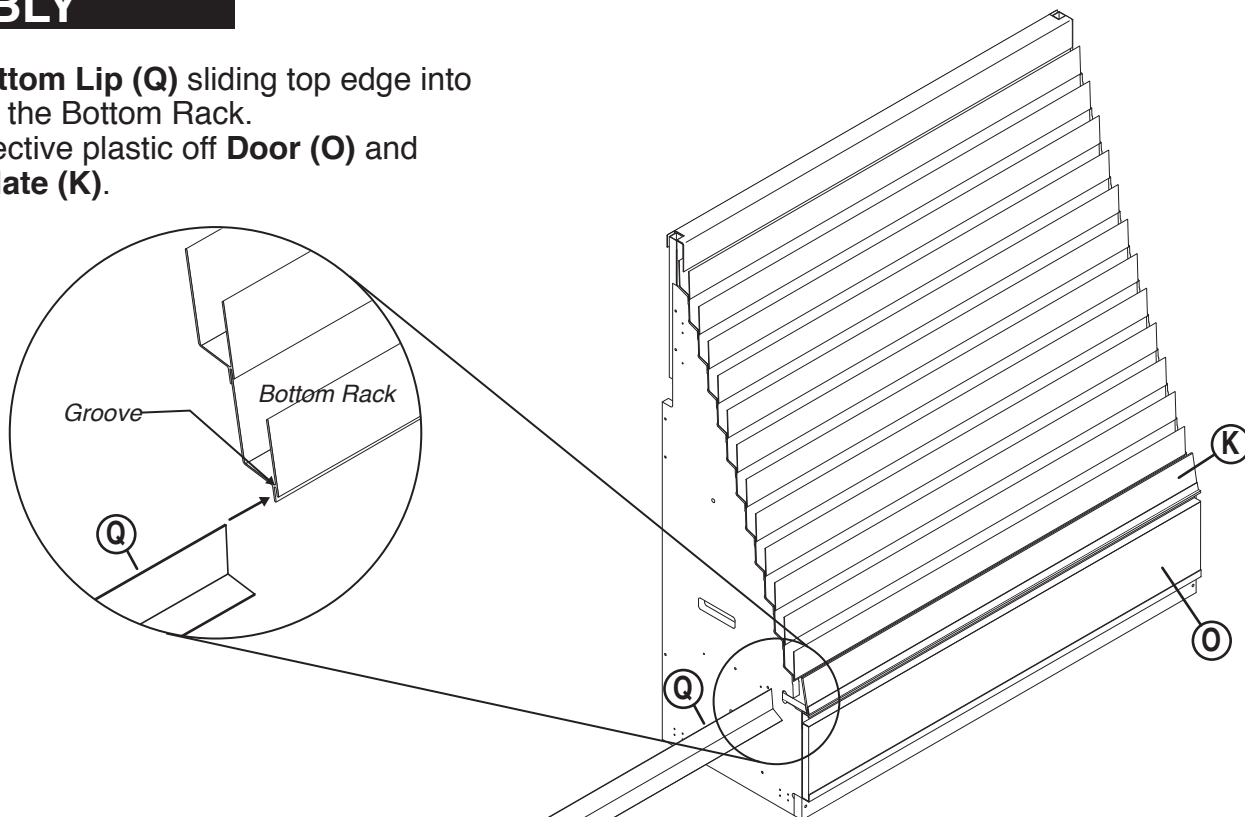
UPC Customer Service

1-800-859-7442

Design & Manufacture

ASSEMBLY

- 10** Install **Bottom Lip (Q)** sliding top edge into the slot in the **Bottom Rack**. Peel protective plastic off **Door (O)** and **Center Plate (K)**.



- 11** Open the **Door (O)** to access the slotted ends of the threaded rods on the Leveler Feet. Adjust the feet to level the assembly.

