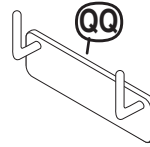


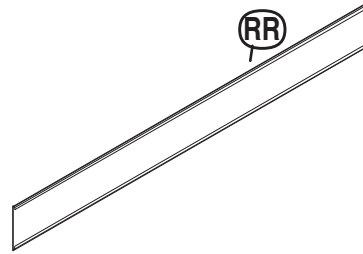
**PARTS BAG    UPC 48151    Strip Sign Holder and Sign Holder Hooks**

PART	Quantity	Reference
Strip Sign Holder Hooks	3	QQ

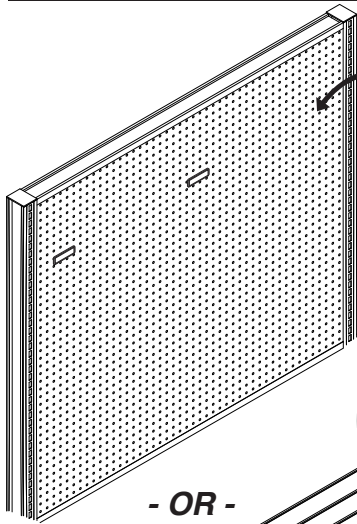


**PARTS**

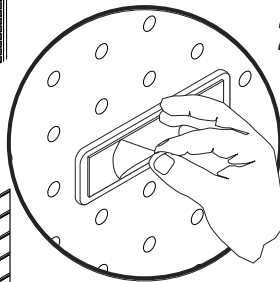
PART	Quantity	Reference
Strip Sign Holder	1	RR



**STEP 1**

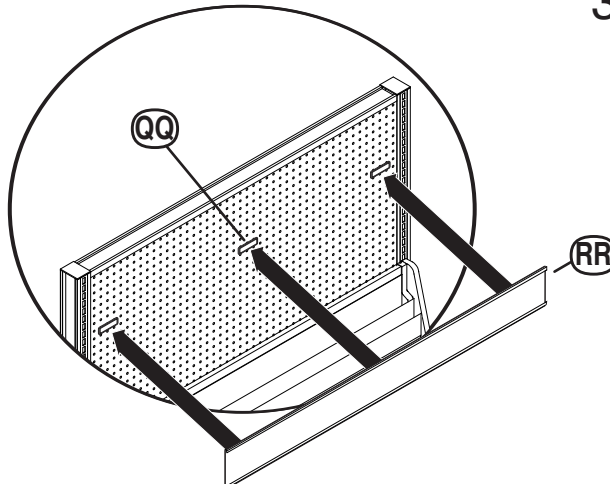
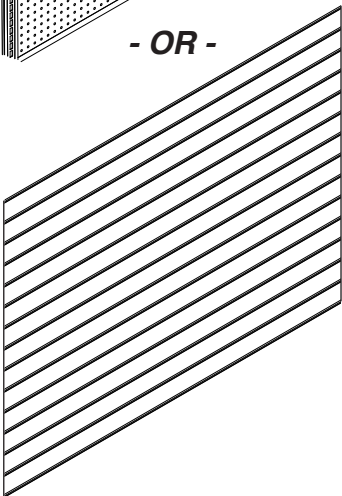


1. Install (3) **Strip Sign Holder Hooks (QQ)** to Peg Board/ Slatwall.



2. Remove protective covering on tape strip from (3) **Strip Sign Holder Hooks (QQ)**.

- OR -



3. Align **Strip Sign Holder (RR)** so that **Strip Sign Holder Hooks (QQ)** are near the top to allow removal if necessary. Press firmly to secure to Peg Board/ Slatwall fixture.

If you have any questions or need replacement parts, please call:  
**UPC Customer Service**  
1-800-859-7442

**Design & Manufacture**