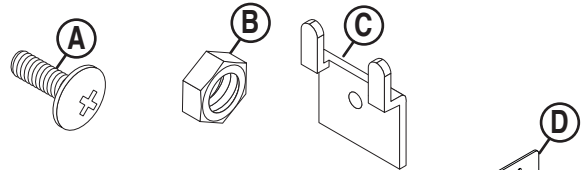


ASSEMBLY INSTRUCTIONS

Thank you for your purchase of one of many fine products designed & manufactured by UPC. We have made every effort to make your assembly easy, clear & hassle free. For more information or if you have any questions contact customer service at 1-800-859-7442.

PARTS BAG 3698 48" Napkin Tray (2 per)

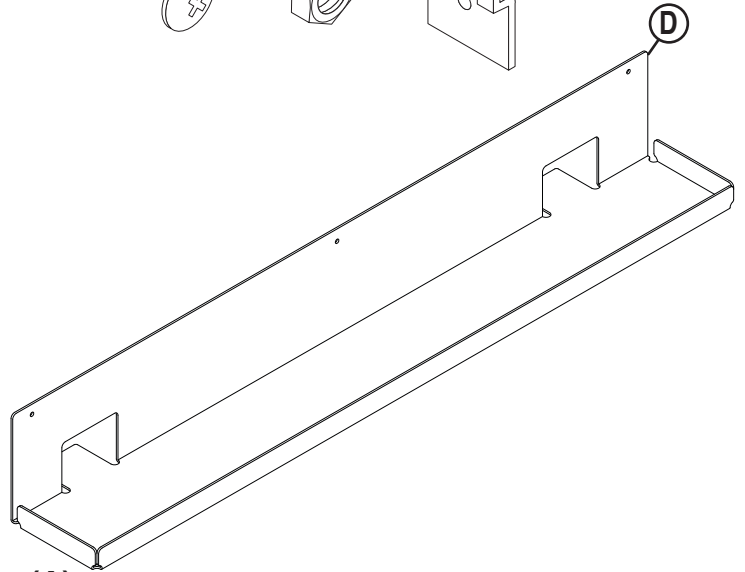
PART	Quantity	Reference
Screw	6	A
Hex Nut	6	B
Slatwall Adapter	6	C



TOOLS REQUIRED: Phillips Screwdriver

PARTS LIST

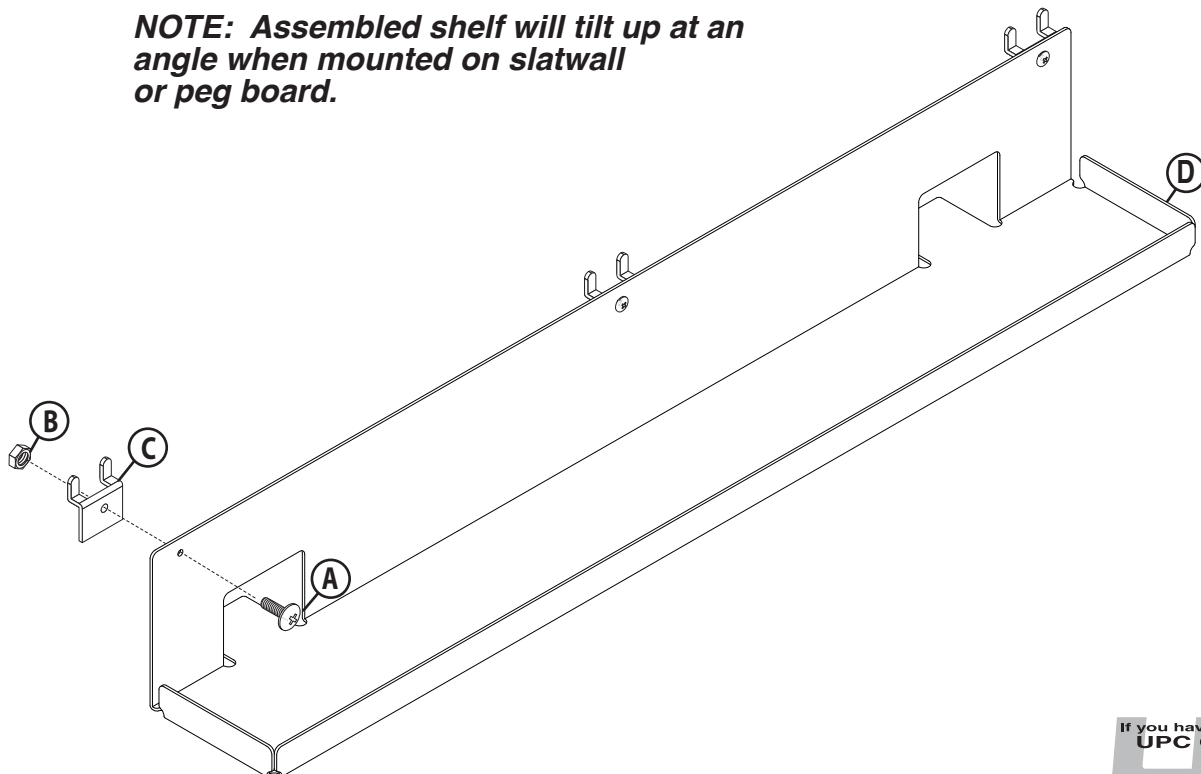
PART	Quantity	Reference
Napkin Tray	2	D



ASSEMBLY

- 1 Attach (6) **Slatwall Adapter (C)**, to (2) **Napkin Trays (D)**, using (6) **Screws (A)** and (6) **Hex Nuts (B)**.

NOTE: Assembled shelf will tilt up at an angle when mounted on slatwall or peg board.



If you have any questions please call:
UPC Customer Service
1-800-859-7442
Design & Manufacture
upcdisplays.com