

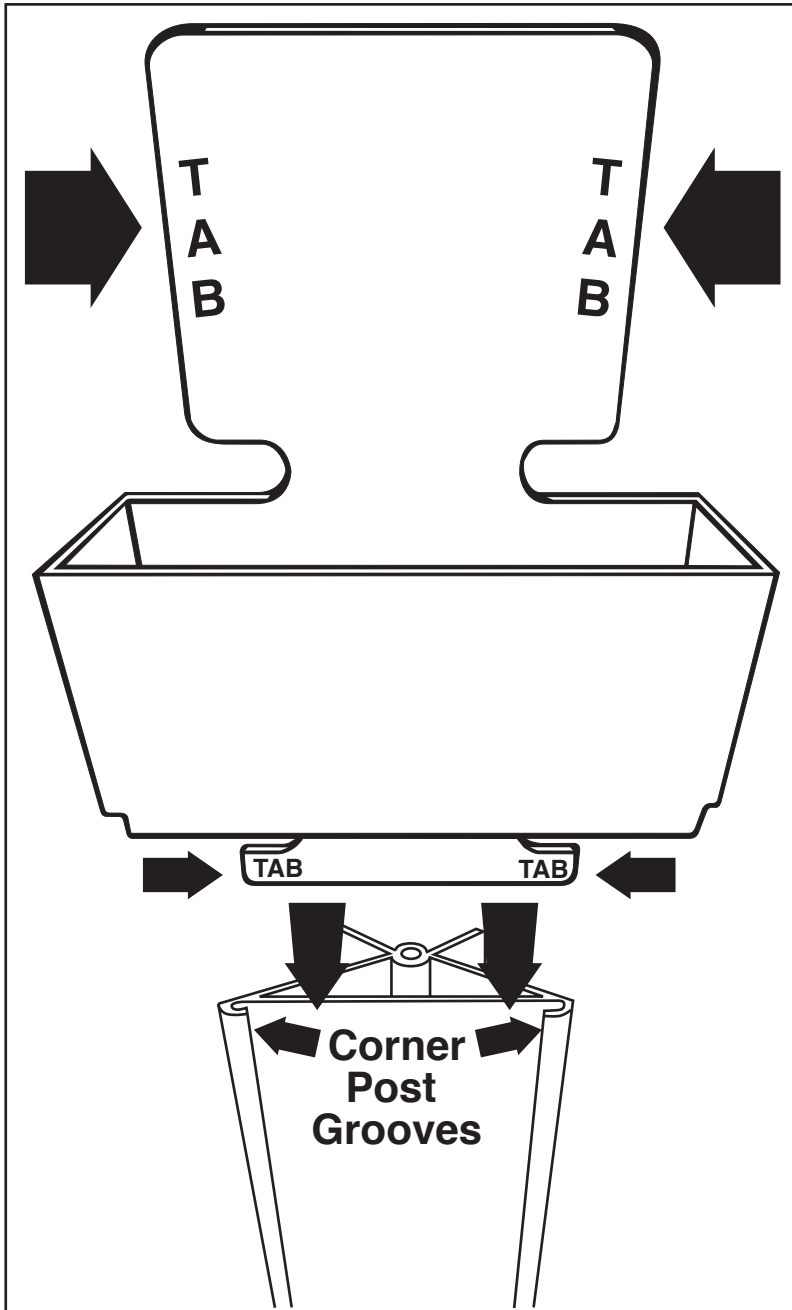
**PART**  
Card Wings

**Quantity**  
28

**Reference**  
A



## ASSEMBLY



**Figure 1**

- 1 Remove Top by removing (4) screws holding Top onto Corner Posts.
- 2 Slide (7) **Card Wings (A)** down into each groove of the corner posts. Make sure that the upper and lower tabs of the **Card Wings (A)** are located into the corner post grooves. See Figure 1.
- 3 Screw Top back on with the (4) screws from Step 1.

If you have any questions or need replacement parts, please call:  
**UPC Customer Service**  
 1-800-859-7442  
**Design & Manufacture**