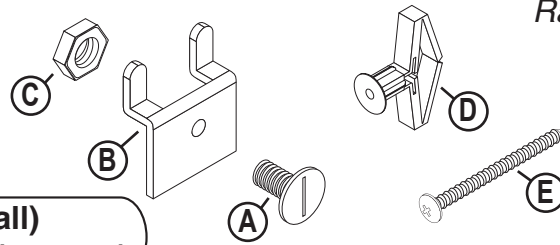


# ASSEMBLY INSTRUCTIONS

## PARTS BAG UPC 2010 5.5" up to 48" Wide 2-Tier PETG Card Rack

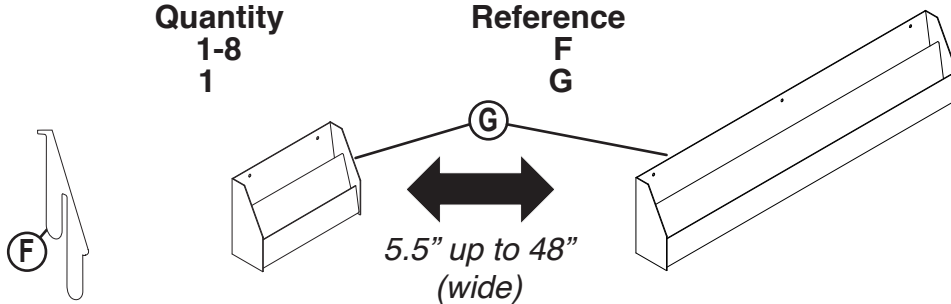
PART	Quantity	Reference	NOTE: Quantities of parts vary with width of Rack chosen.
Screw Posts	2-3	A	
Slatwall Adapters	2-3	B	
Nuts	2-3	C	
Plastic Wall Toggles	2-3	D	
Phillips Head Screws	2-3	E	



**TOOLS REQUIRED: Flathead Screwdriver (Slatwall)  
Drill with 3/8" Drywall Bit & Phillips Screwdriver (Drywall)**

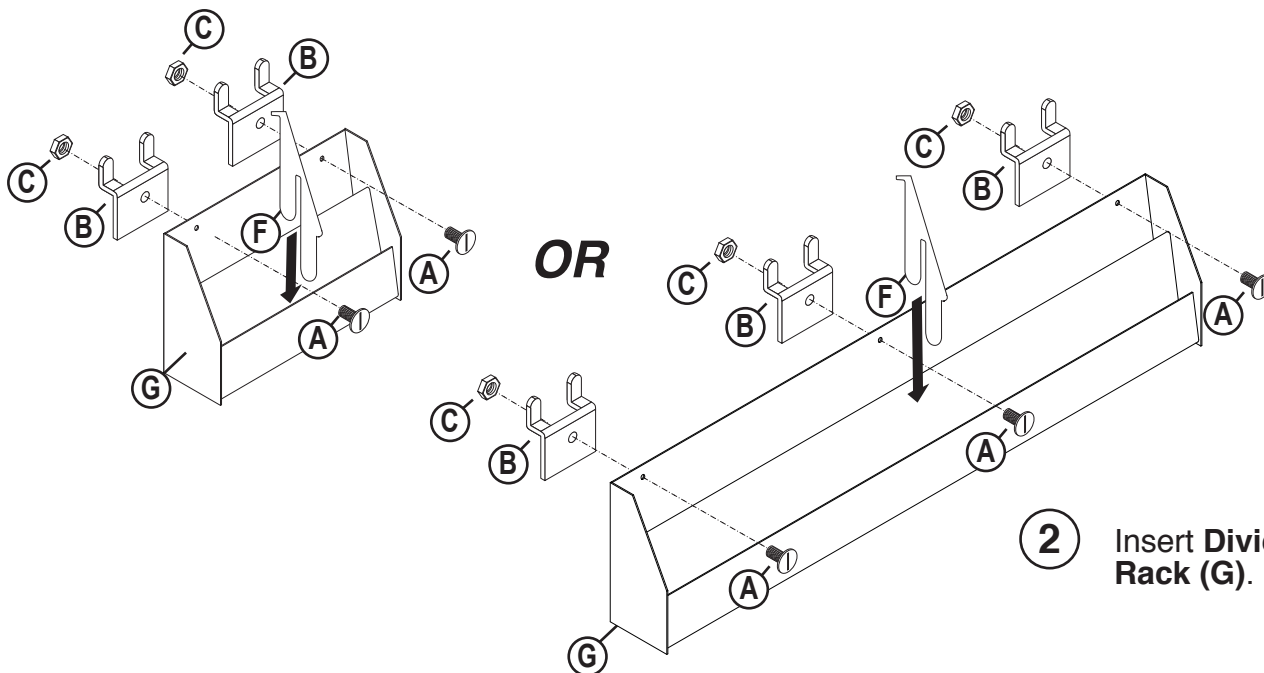
## PARTS LIST

PART	Quantity	Reference
Divider	1-8	F
Rack	1	G



## Slatwall Assembly NOTE: Assemble for EITHER Slatwall or Drywall, not both.

**1** Align hole in **Slatwall Adapter (B)** with back side of hole in **Rack (G)**. Prongs extend back toward Slatwall and up. Attach using **Screw Post (A)** from front and **Nut (C)** on back.



**2** Insert **Divider(s) (F)** into **Rack (G)**.

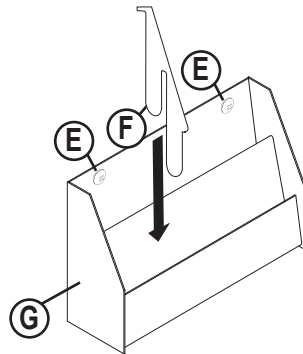
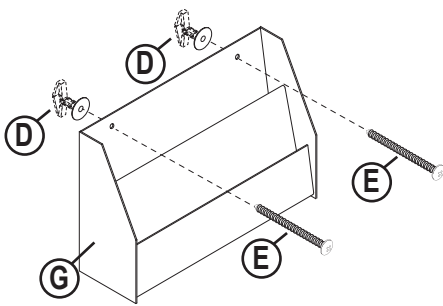
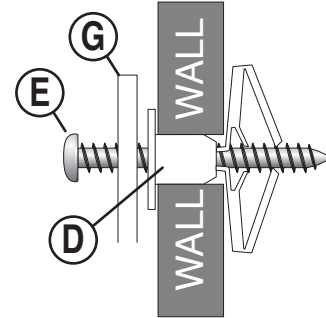
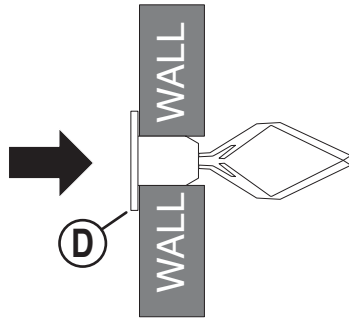
If you have any questions or need replacement parts, please call:  
**UPC Customer Service**  
1-800-859-7442

# Drywall Assembly

**NOTE:** Assemble for EITHER Slatwall or Drywall, not both.

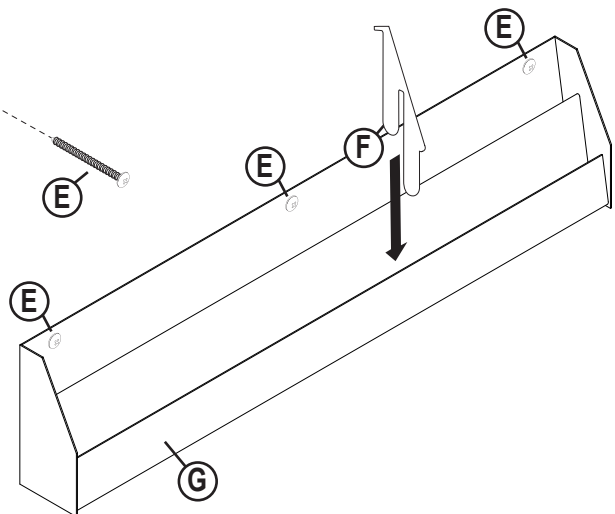
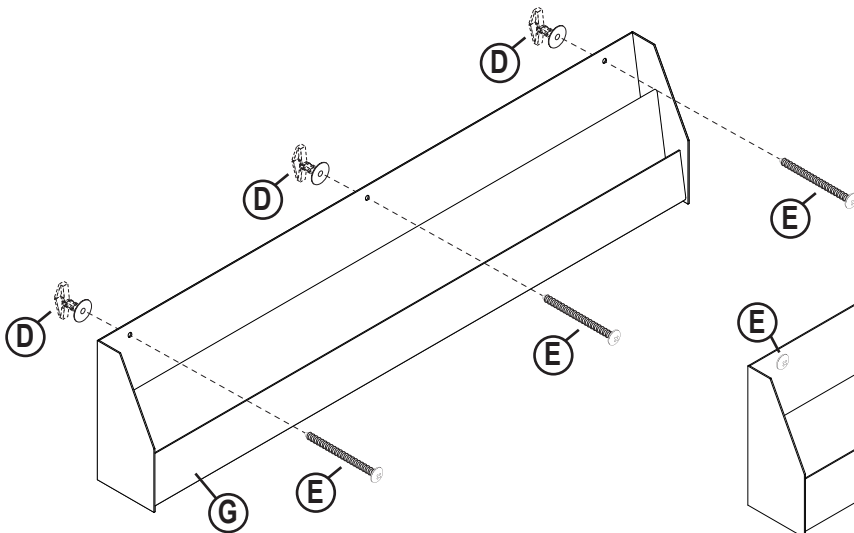
- 1 Determine position on wall and drill hole with 3/8" drywall bit.  
**Squeeze Wall Toggler (D)** flat and insert into hole.  
Tap flange flush with wall.

- 2 Place **Rack (G)** against **Wall Toggler (D)** and insert **Phillips Head Screw (E)**, tightening until secure.



- 3 Insert **Divider(s) (F)** into **Rack (G)**.

**OR**



If you have any questions or need replacement parts, please call:  
**UPC Customer Service**  
1-800-859-7442

**Design & Manufacture**