

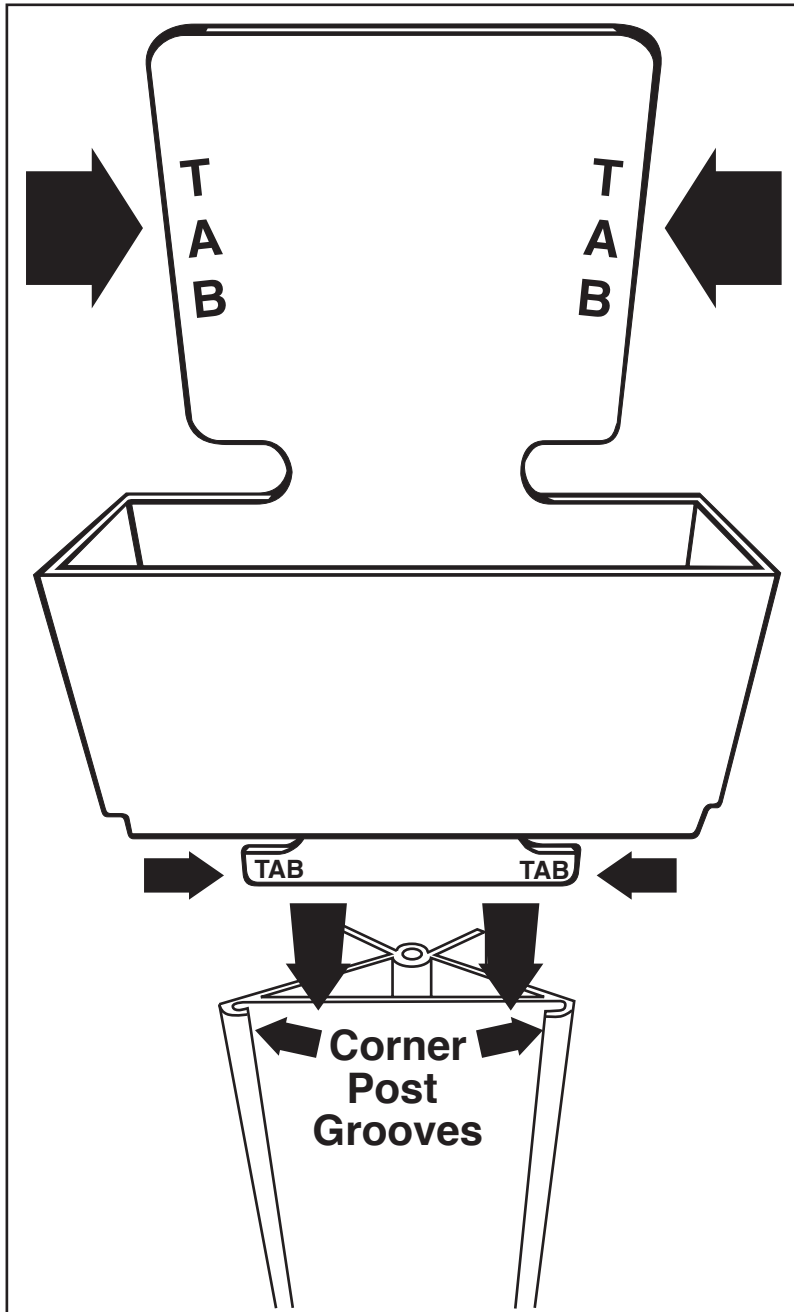
PART
Card Wings

Quantity
32

Reference
A



ASSEMBLY



- 1 Remove Top by removing (4) screws holding Top onto Corner Posts.
- 2 Slide (8) **Card Wings (A)** down into each groove of the corner posts. Make sure that the upper and lower tabs of the **Card Wings (A)** are located into the corner post grooves. See Figure 1.
- 3 Screw Top back on with the (4) screws from Step 1.

Figure 1

If you have any questions or need replacement parts, please call:
UPC Customer Service
1-800-859-7442
Design & Manufacture