

# ASSEMBLY INSTRUCTIONS

Thank you for your purchase of one of many fine products designed & manufactured by UPC. We have made every effort to make your assembly easy, clear & hassle free. For more information or if you have any questions contact customer service at 1-800-859-7442.

## PARTS BAG

UPC #1416 UPC - Post It

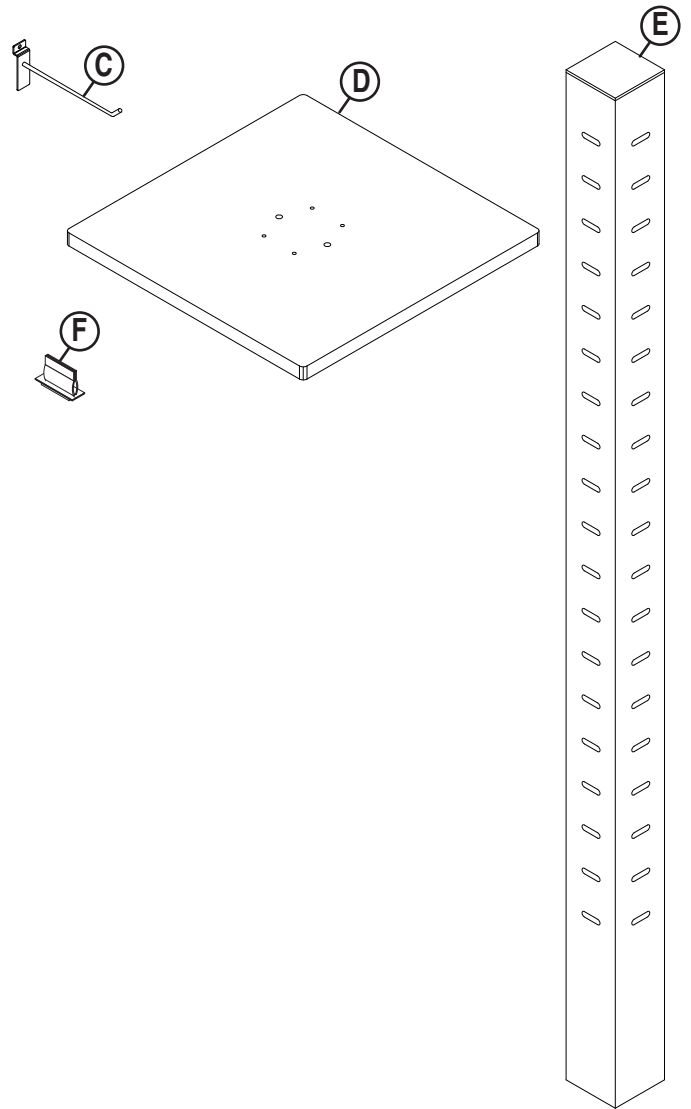
PART	Quantity	Reference
Screw	4	A
Wood Dowel	2	B



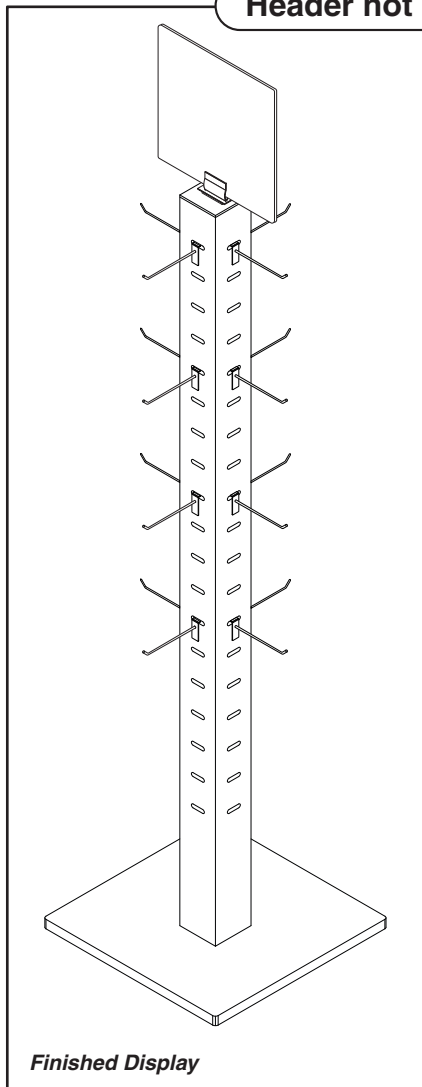
**TOOLS REQUIRED: #2 Phillips Screwdriver**

## PARTS LIST

PART	Quantity	Reference
Hook	16	C
Base	1	D
Tower	1	E
Header Clip	1	F



Header not included



If you have any questions please call:  
**UPC Customer Service**  
**1-800-859-7442**  
**Design & Manufacture**  
upcdisplays.com

If you have any questions please call:

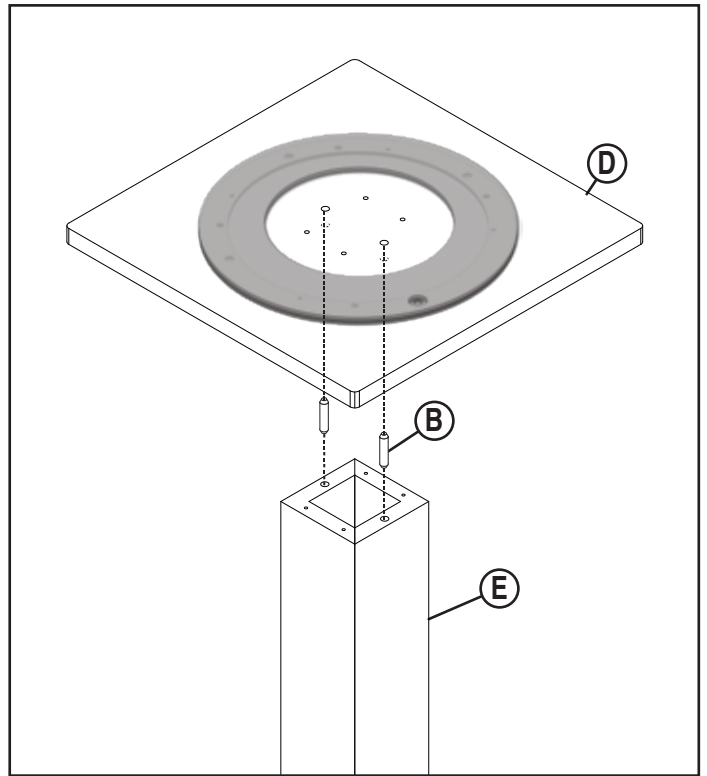
UPC Customer Service

1-800-859-7442

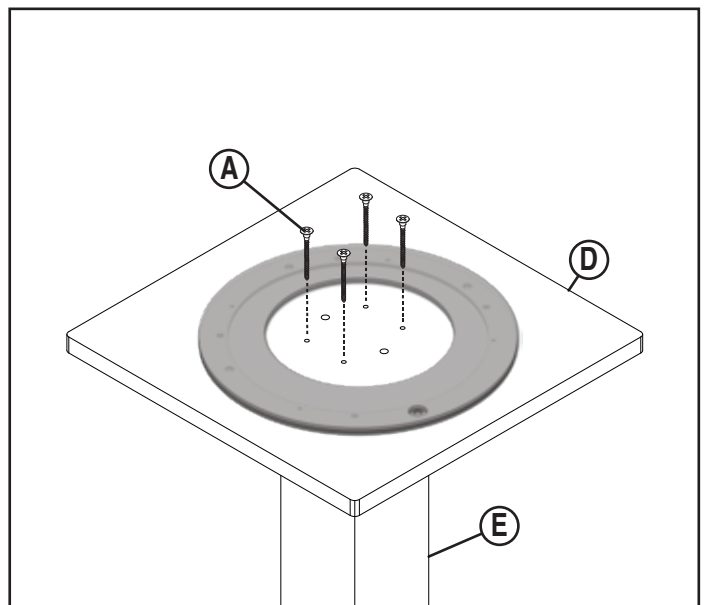
Design & Manufacture  
upcdisplays.com

## ASSEMBLY

- 1 Push (2) **Wood Dowels (B)** into the larger holes on the bottom of **Tower (E)**. Then push the larger holes in **Base (D)** onto the (2) **Wood Dowels (B)**.

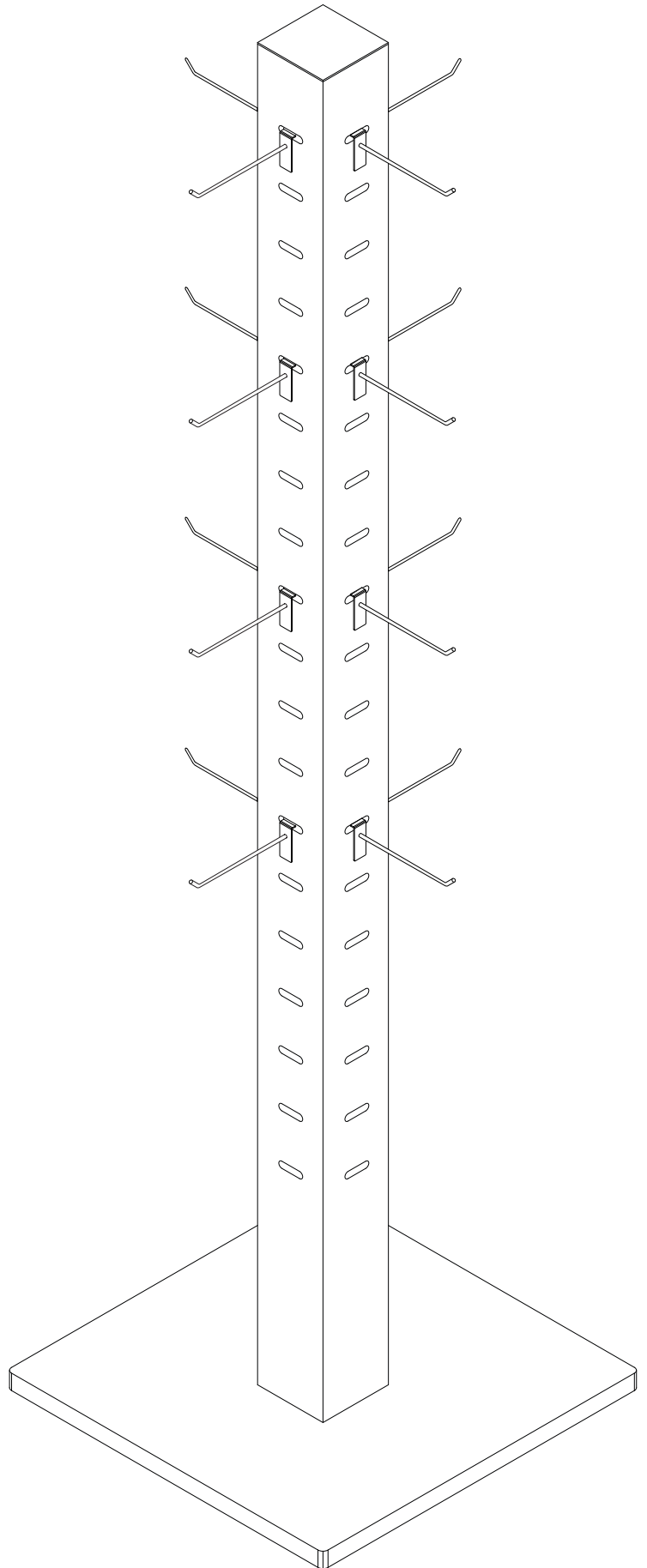
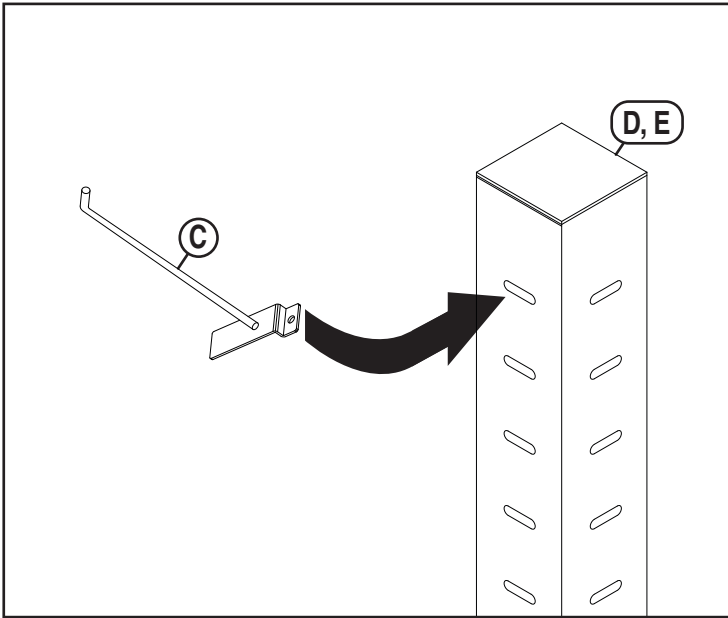


- 2 Screw in (4) **Screws (A)** through the holes on the bottom of **Base (D)** into **Tower (E)**. Set display in location upright.



## ASSEMBLY

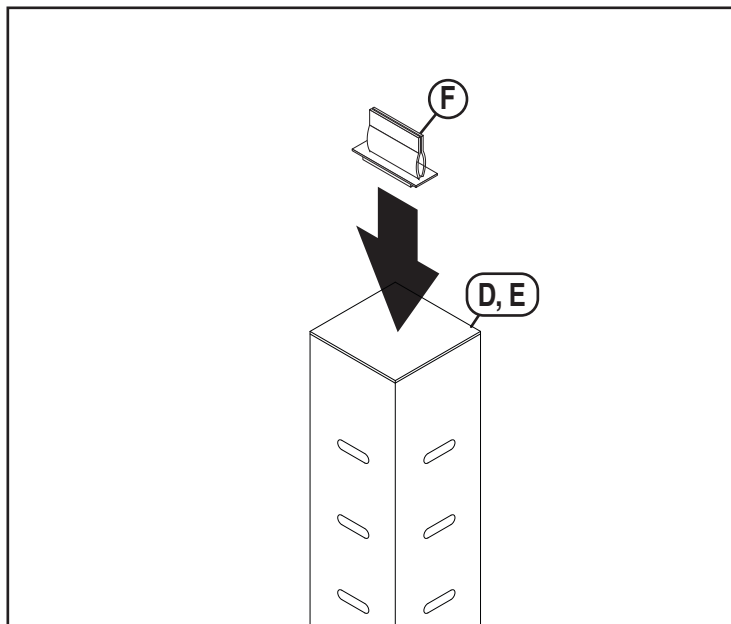
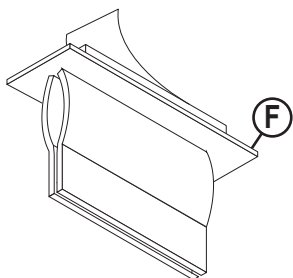
- 3 Insert (16) Hooks (C) per *Planogram* into the holes in the sides of **Tower Assembly (D,E)** at an angle and swing down as shown.



## ASSEMBLY

- ④ Remove protective adhesive layer from the bottom of **Header Clip (F)**.

Attach **Header Clip (F)** to  
**Tower Assembly (D, E)**.



- ⑤ Insert *Header* into  
**Header Clip (F)**.  
*(Header not included.)*

