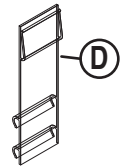
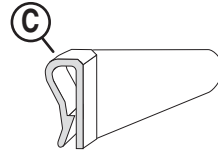
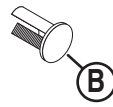


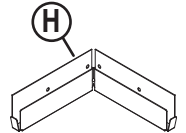
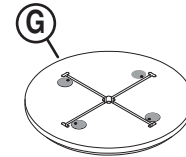
PARTS BAG UPC#1401 112 Pocket "X" Spinner

PARTS	Quantity	Reference
Ratchet Rivets (8 extra)	120	B
Card Clips	56	C
Sign Holder	2	D



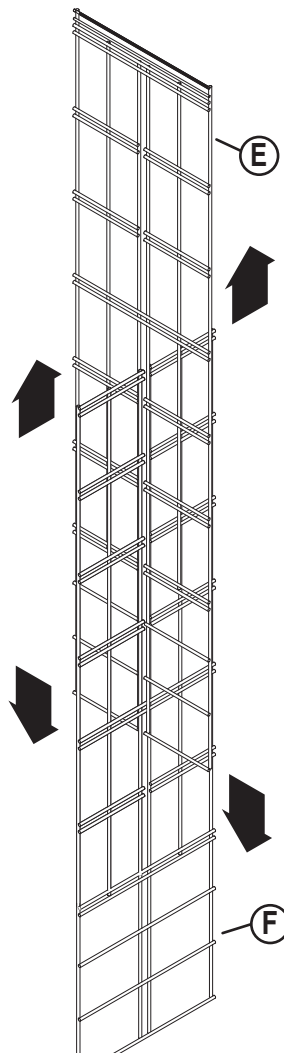
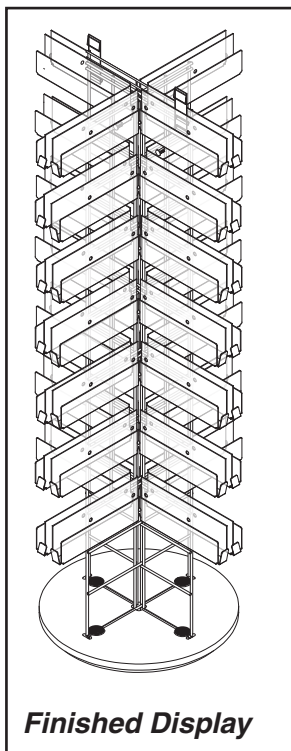
PARTS LIST

PARTS	Quantity	Reference
Top Grid (Wire)	1	E
Bottom Grid (Wire)	1	F
Spinner Base	1	G
Racks	28	H

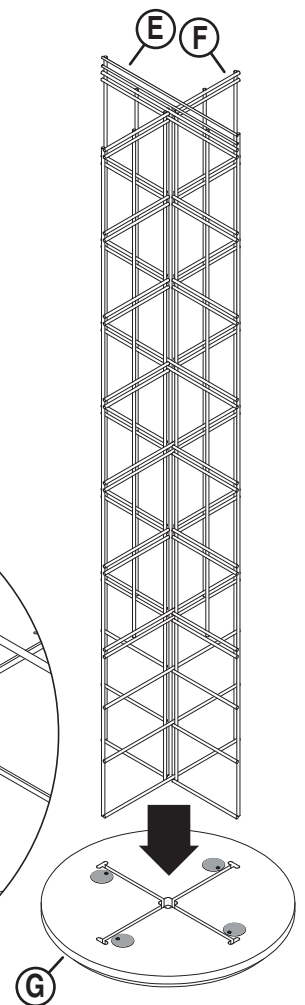
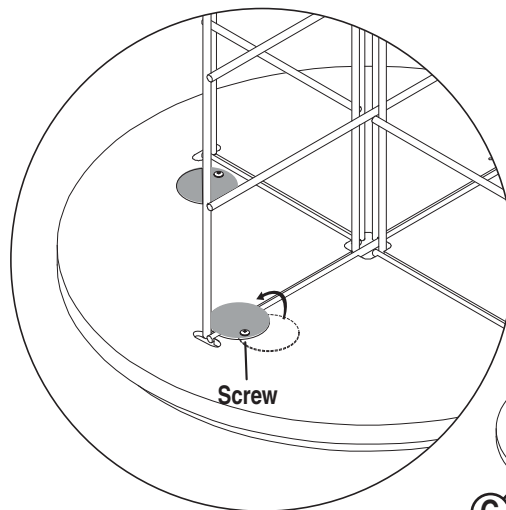


ASSEMBLY

- 1 Assemble **Grid Assembly** by sliding **Top Grid (E)** down over the **Bottom Grid (F)**.



Set **Grid Assembly (E/F)** into channels on **Spinner Base (G)**.
Loosen screw to swing **Metal Disc** over grid.
Tighten screw to secure **Grid Assembly (E/F)** to **Spinner Base (G)**.



If you have any questions or need replacement parts, please call:

UPC Customer Service

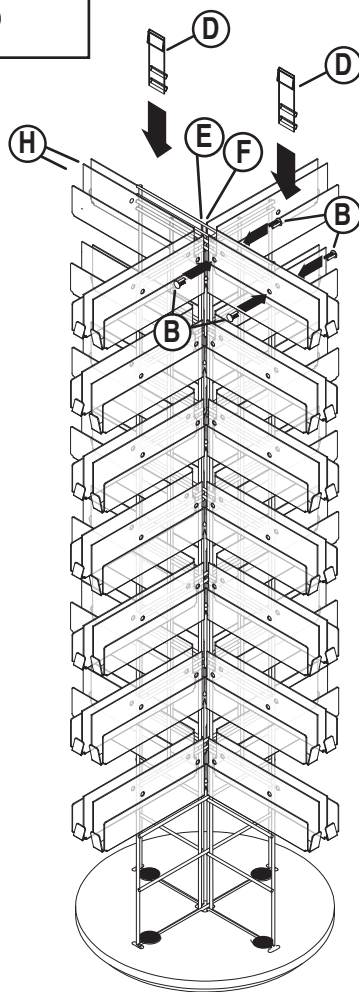
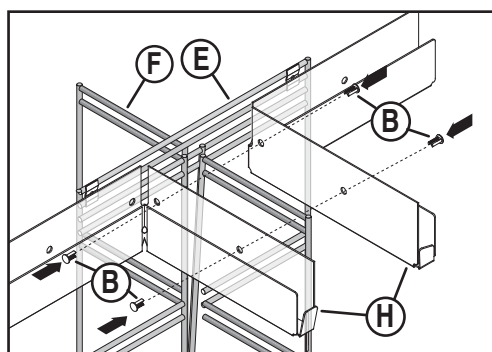
1-800-859-7442

Design & Manufacture

ASSEMBLY

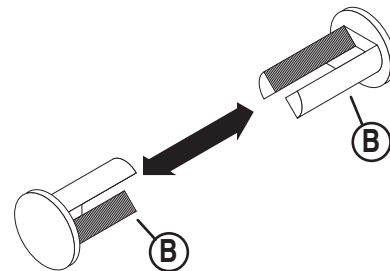
Attach (2) **Sign Holders (D)** to top 2 wires of **Top Grid (E)**.

Attach **Racks (H)** two at a time, back to back, using the **Ratchet Rivets (B)** (see detail at right). Be sure **Ratchet Rivets (B)** pass between closely spaced wires on **Rack Assembly (E/F)** (see diagram below).



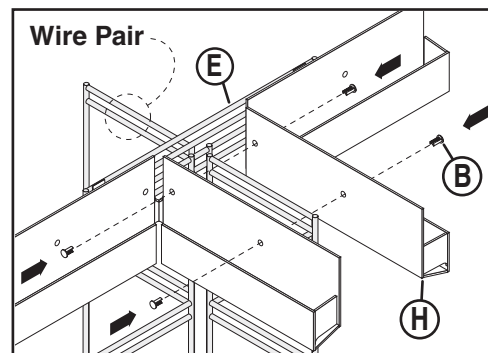
DETAIL/CAUTION:

Pinch the **Ratchet Rivets (B)** until they are snug. Over tightening may cause the **Racks (H)** to crack.



IMPORTANT!

Be sure the **Ratchet Rivets (B)** are trapped between Wire Pairs on **Wire Grid Assembly (E & F)**. Racks attached to the top of the **Wire Grid Top (E)** are attached through the second pair from top.



If you have any questions or need replacement parts, please call:

UPC Customer Service
1-800-859-7442

Design & Manufacture

ASSEMBLY

Attach **Card Clips (C)** to the front of each **Rack (H)**, two **Clips** per **Rack**.

