

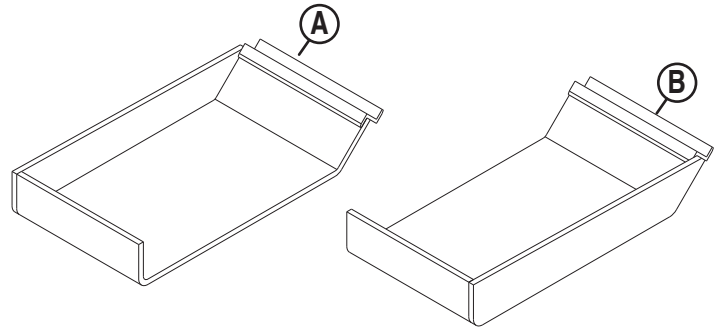
UPC

0951

Acrylic Horizontal Roll Wrap Holder

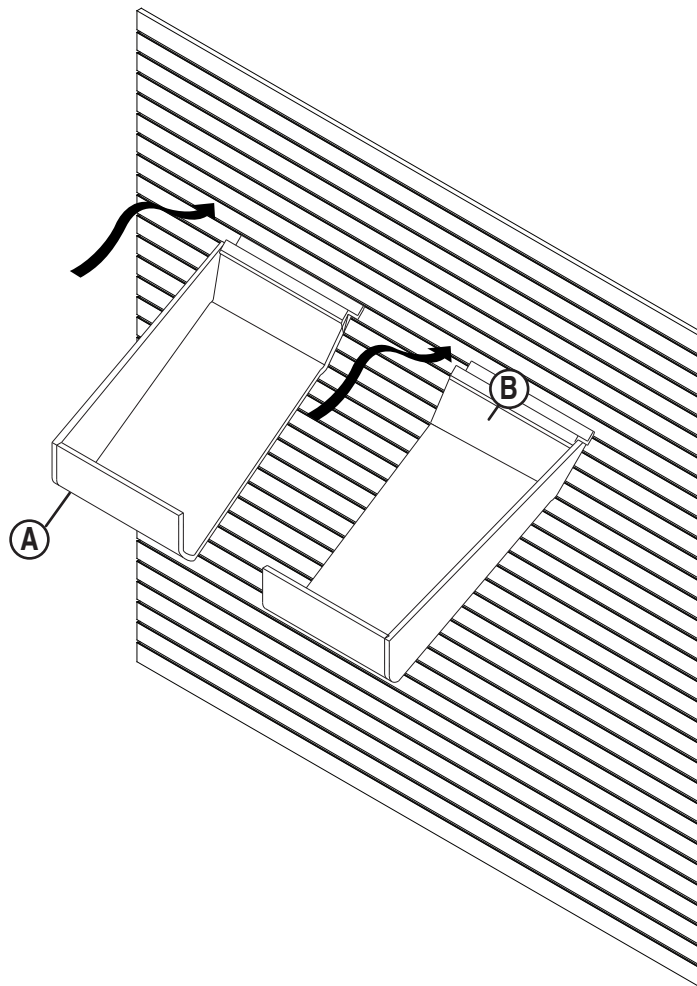
PARTS LIST

PART	Quantity	Reference
Left End	1	A
Right End	1	B



ASSEMBLY

- 1 Insert hooked edge of **Left End (A)** and **Right End (B)** into slotwall. Slide right or left to desired width.



If you have any questions or need replacement parts, please call:
UPC Customer Service
1-800-859-7442
Design & Manufacture