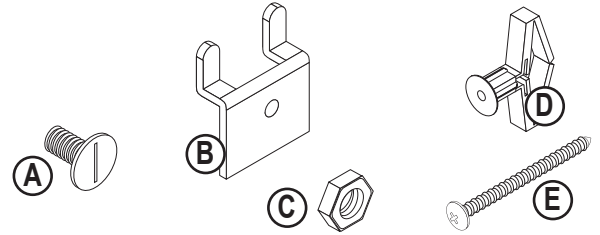


ASSEMBLY INSTRUCTIONS

PARTS BAG UPC #0943 2-Tier 48" Break Resistant PETG Card Rack

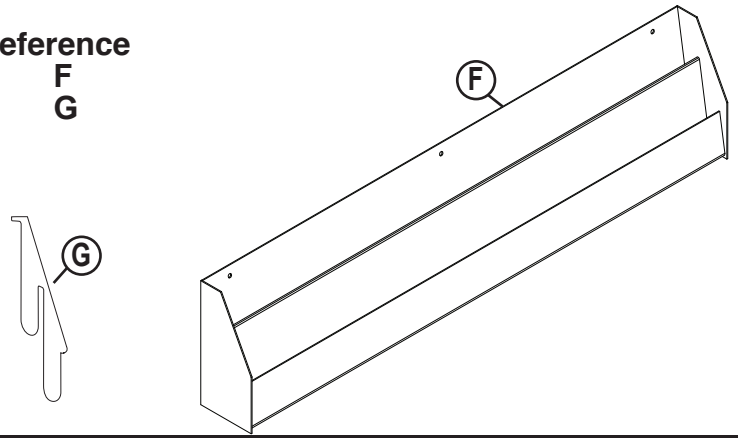
PART	Quantity	Reference
Screw Post	3	A
Slatwall Adapters	3	B
#8 - 32 Hex Nuts	3	C
Plastic Wall Toggler	3	D
Phillips Head Screws	3	E



TOOLS REQUIRED: Phillips & Flathead Screwdriver & Drill with 3/8" Drywall Bit

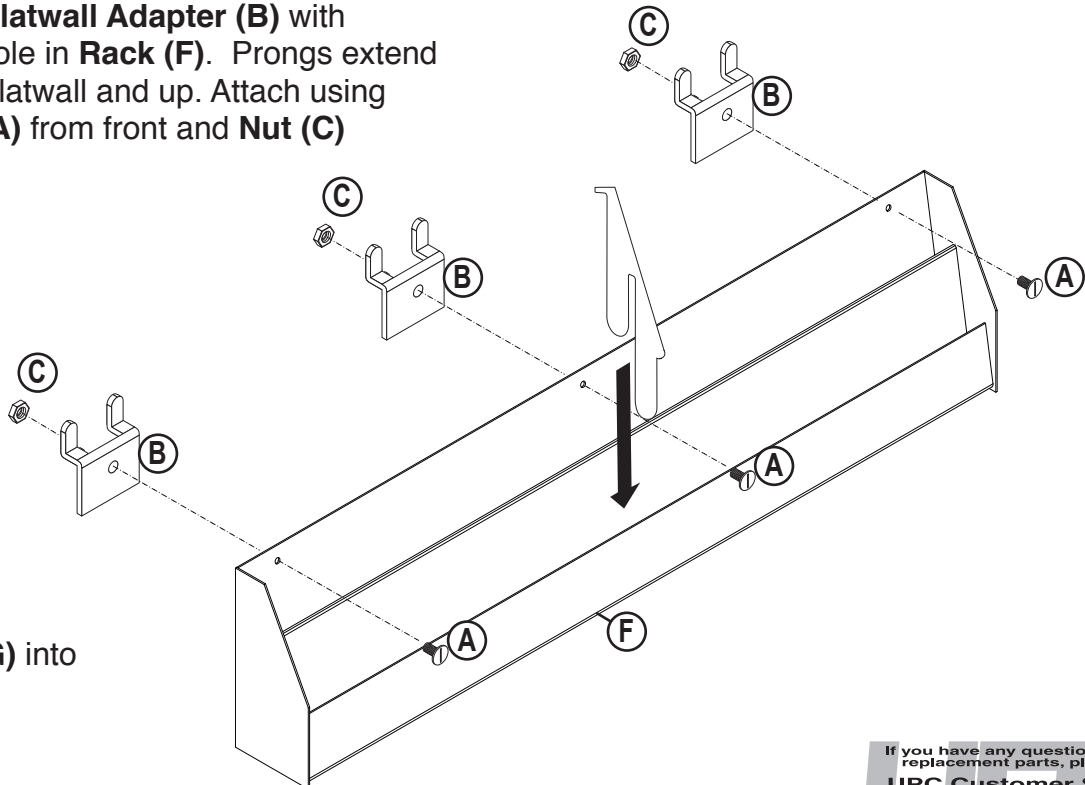
PARTS LIST

PART	Quantity	Reference
Rack	1	F
Divider	8	G



Slatwall Assembly

- Align hole in **Slatwall Adapter (B)** with back side of hole in **Rack (F)**. Prongs extend back toward Slatwall and up. Attach using **Screw Post (A)** from front and **Nut (C)** on back.



- Insert **Divider (G)** into **Rack (F)**.

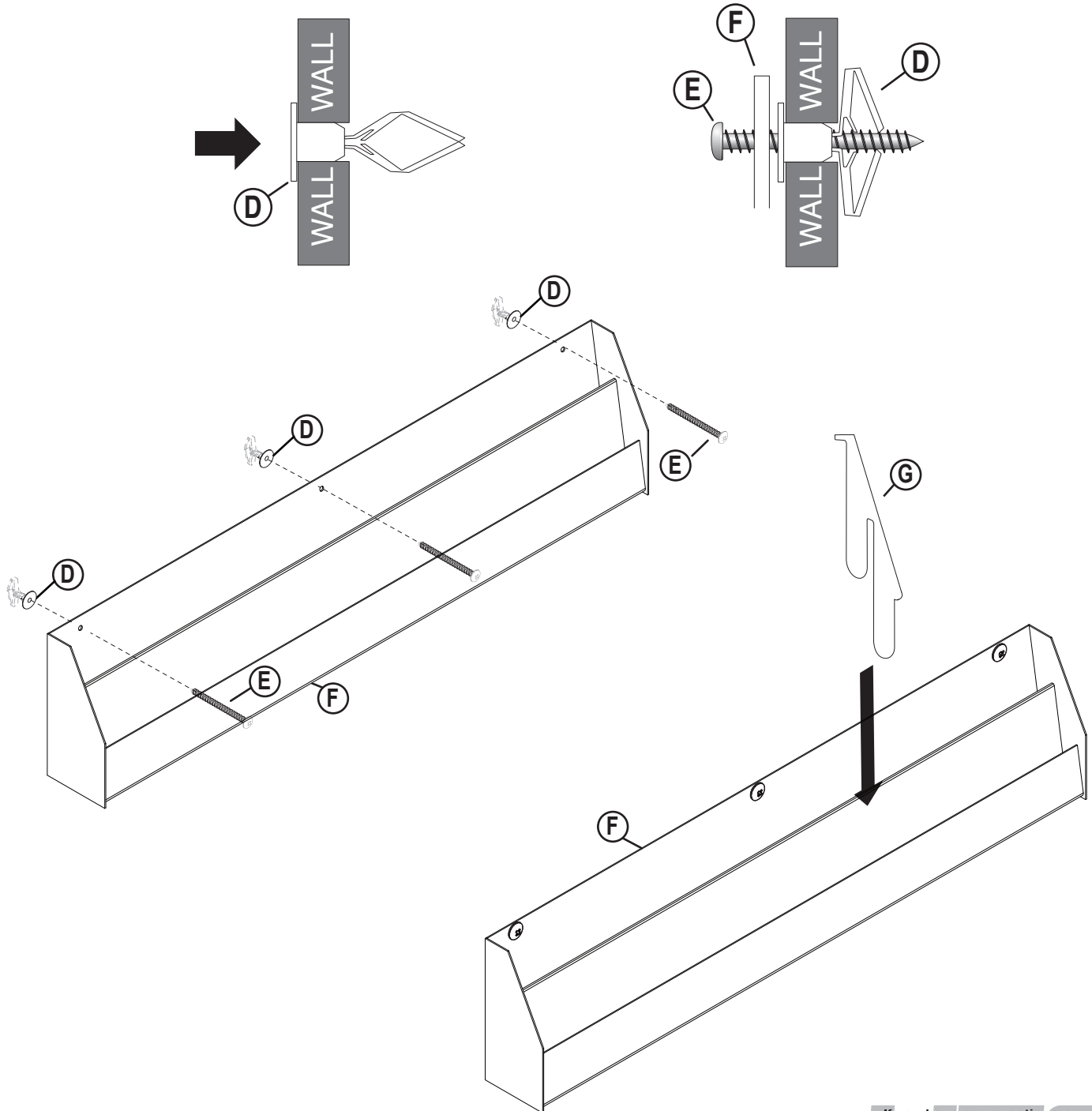
NOTE: Assemble for EITHER Slatwall or Drywall, not both.

If you have any questions or need replacement parts, please call:
UPC Customer Service
1-800-859-7442
Design & Manufacture

Drywall Assembly

- 1 Determine position on wall and drill 3/8" hole. Squeeze **Wall Toggler (D)** flat and insert into hole. Tap flange flush with wall.

- 2 Place **Rack (F)** against Toggler and insert **Screw (E)**, tightening until secure.



- 3 Insert **Divider (G)** into **Rack (F)**.

If you have any questions or need replacement parts, please call:
UPC Customer Service
1-800-859-7442

Design & Manufacture