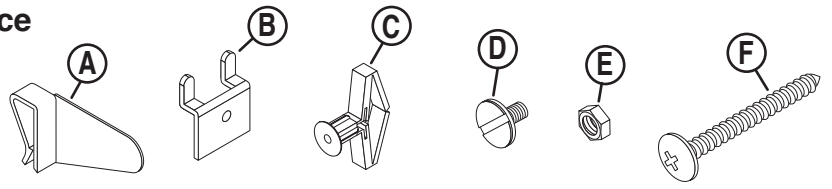


**PARTS BAG UPC#989 1-Per 1-Tier 48" Acrylic Card Rack**

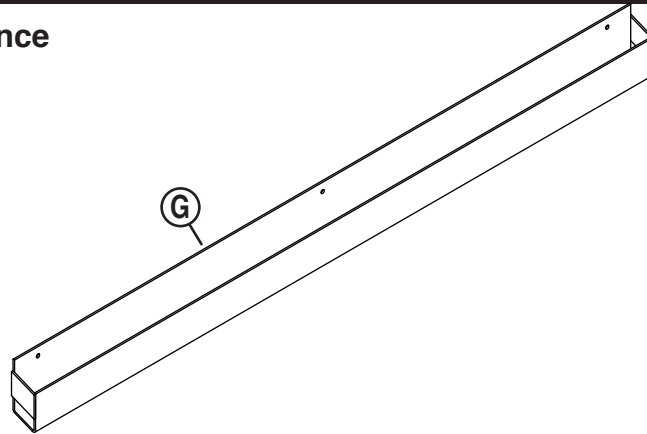
PART	Quantity	Reference						
Card Clip	8	A						
Slatwall Adapter	3	B						
Wall Toggle	3	C						
Screw Post	3	D						
Nut	3	E						
Phillips Screw	3	F						



**TOOLS REQUIRED: Flathead Screwdriver (Slatwall)  
Drill with 3/8" Drywall Bit & Phillips Screwdriver (Drywall)**

## PARTS LIST

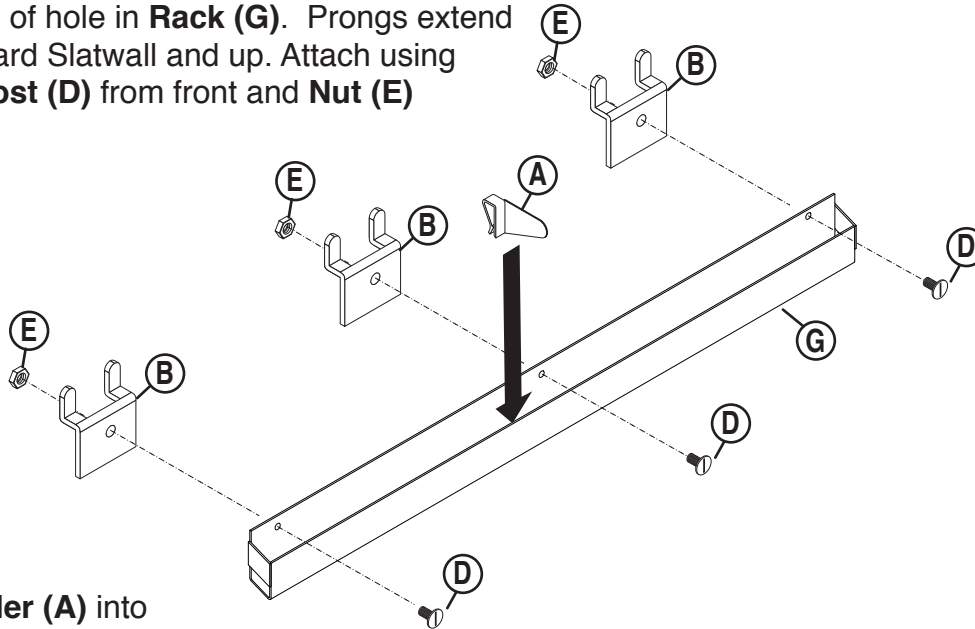
PART	Quantity	Reference
Rack	1	G



## Slatwall Assembly

**NOTE: Assemble for EITHER Slatwall or Drywall, not both.**

- Align hole in **Slatwall Adapter (B)** with back side of hole in **Rack (G)**. Prongs extend back toward Slatwall and up. Attach using **Screw Post (D)** from front and **Nut (E)** on back.



- Insert **Divider (A)** into **Rack (G)**.

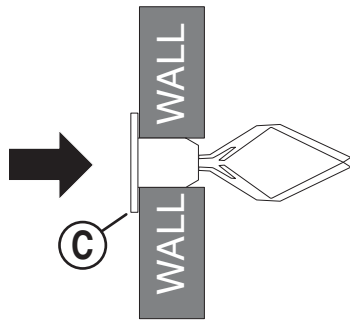
**NOTE: Assemble for EITHER Slatwall or Drywall, not both.**

If you have any questions or need replacement parts, please call:  
**UPC Customer Service**  
1-800-859-7442  
**Design & Manufacture**

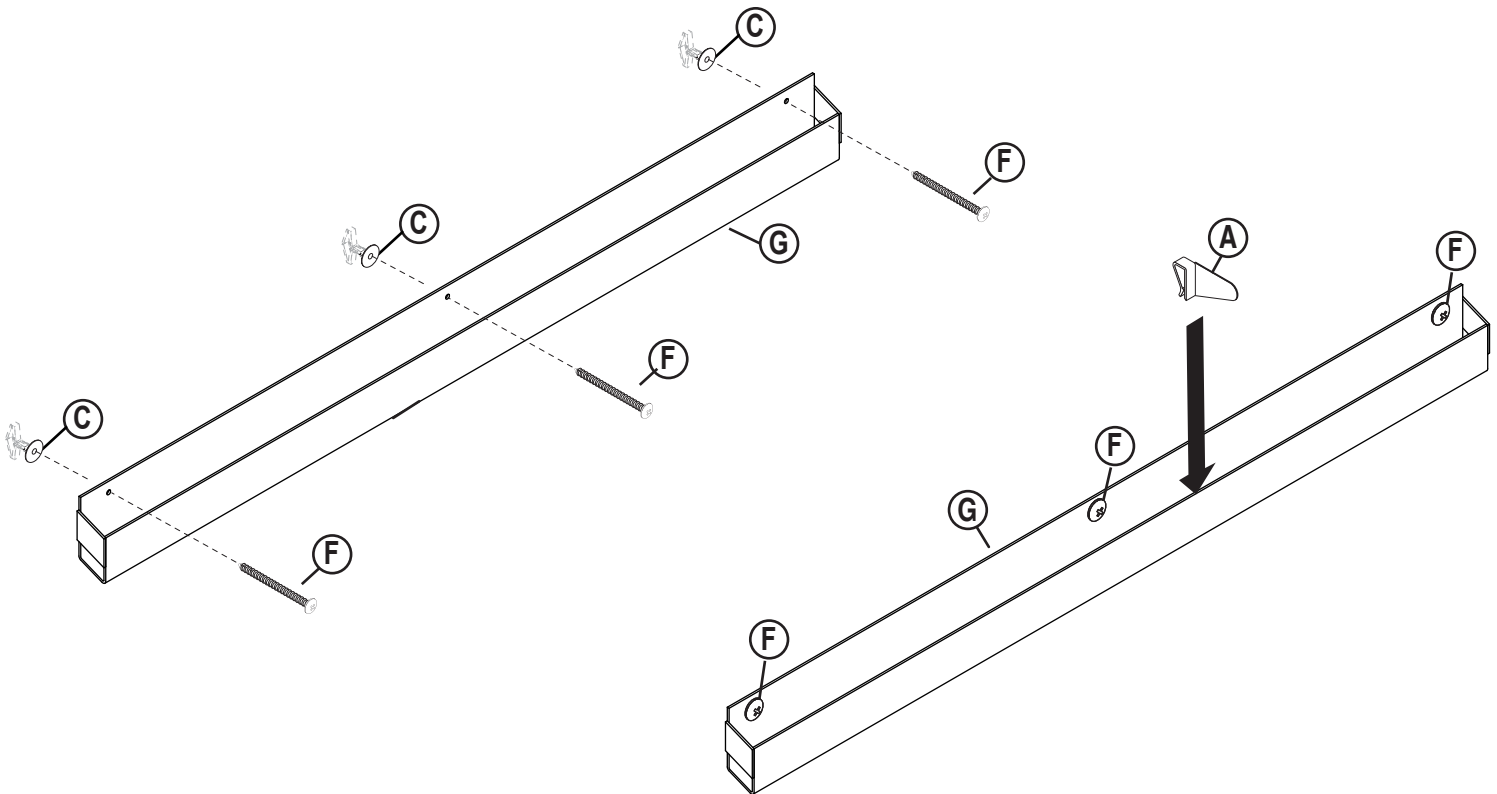
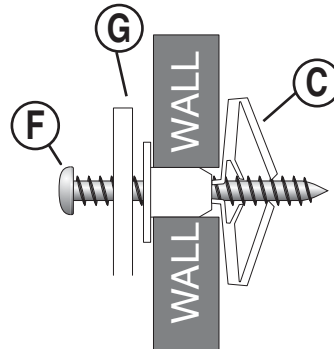
# Drywall Assembly

**NOTE:** Assemble for EITHER Slatwall or Drywall, not both.

- 1 Determine position on wall and drill 3/8" hole. Squeeze **Wall Toggler (C)** flat and insert into hole. Tap flange flush with wall.



- 2 Place **Rack (G)** against Toggler and insert **Screw (F)**, tightening until secure.



- 3 Insert **Divider (A)** into **Rack (G)**.

If you have any questions or need replacement parts, please call:  
**UPC Customer Service**  
1-800-859-7442

**Design & Manufacture**