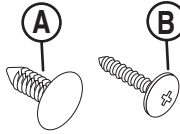


92760 & 92885

Single 72 Pkt. Tower
with Sandwich Style Top and Base

PARTS BAG

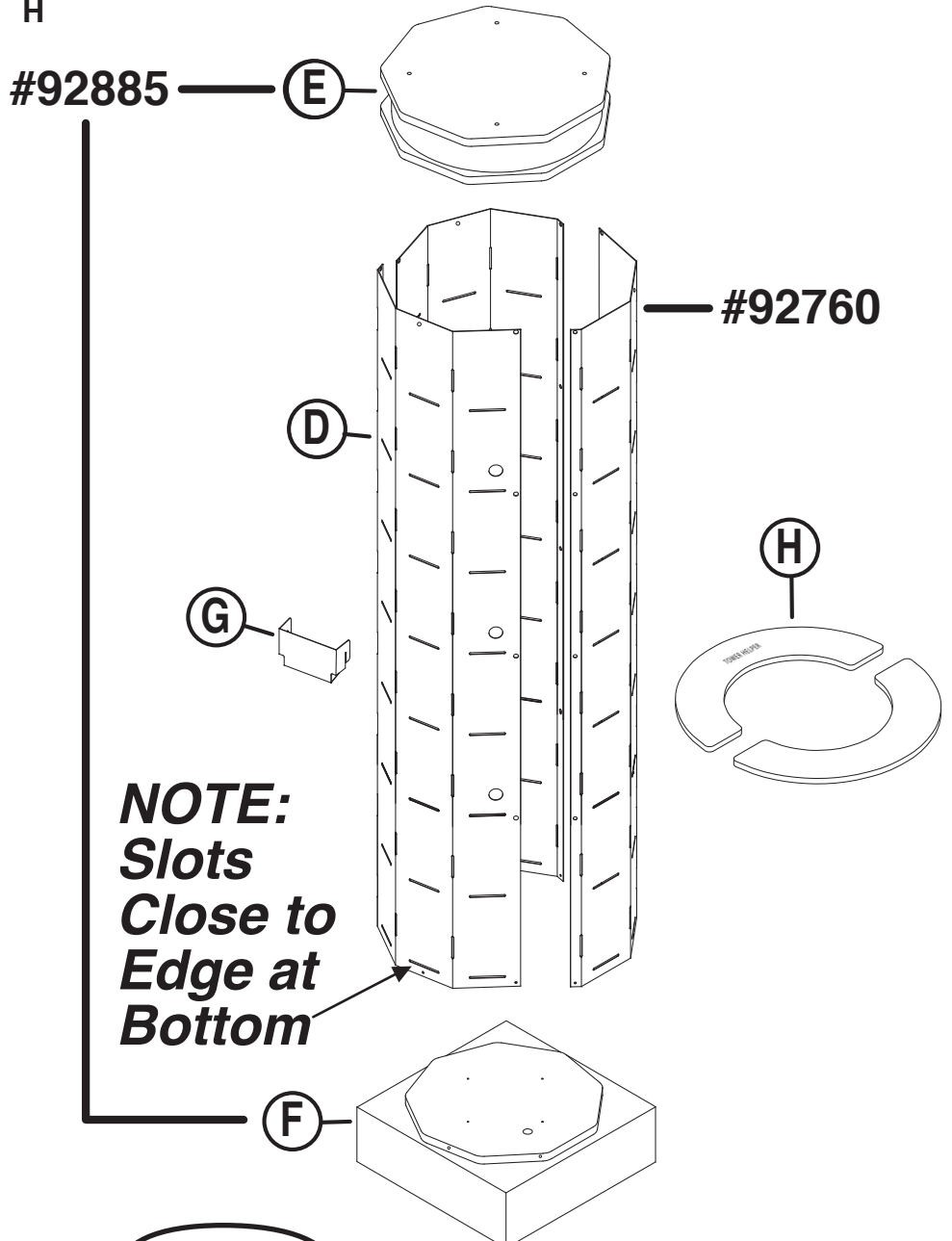
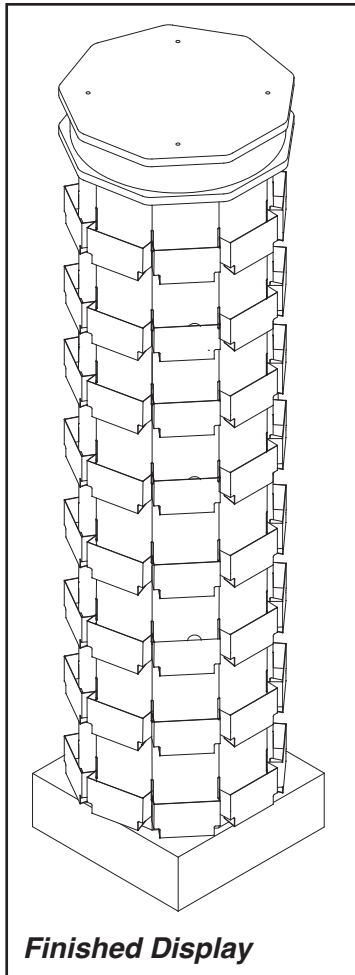
| PART | Quantity | Reference |
|-----------------|--------------|-----------|
| Push Pin | 13 (1 extra) | A |
| Trusshead Screw | 9 | B |



PARTS LIST

| PART | Quantity | Reference |
|--------------|----------|-----------|
| Panel | 3 | D |
| Top | 1 | E |
| Base | 1 | F |
| Rack | 72 | G |
| Tower Helper | 2 | H |

IMPORTANT: Peel protective masking off All Panels before assembly.



If you have any questions or need replacement parts, please call:

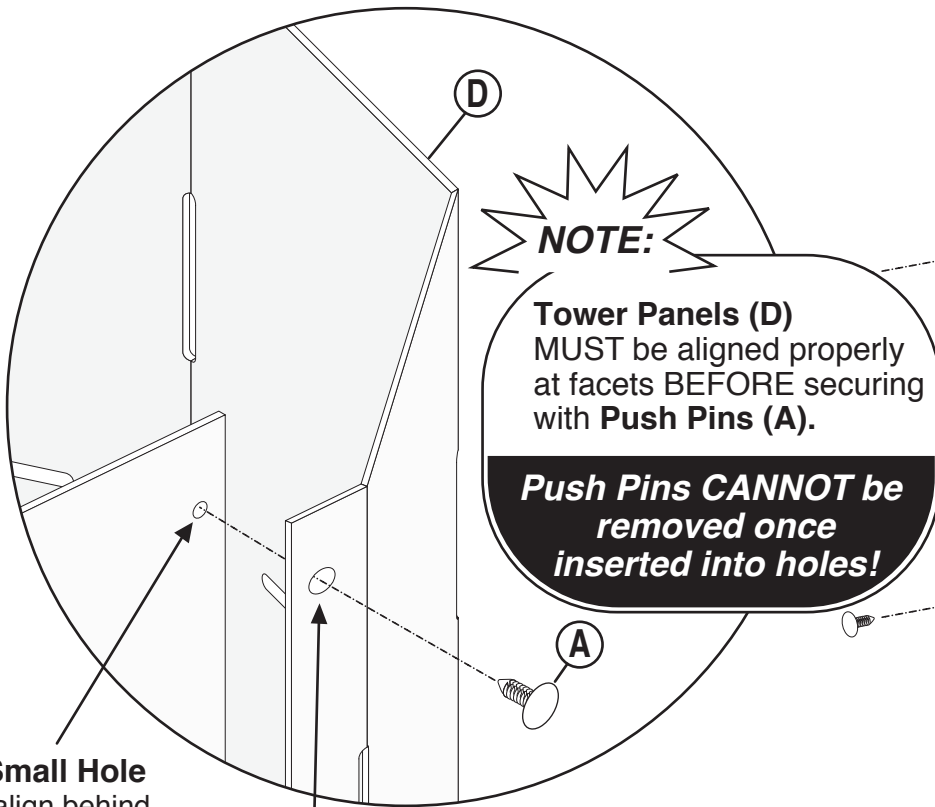
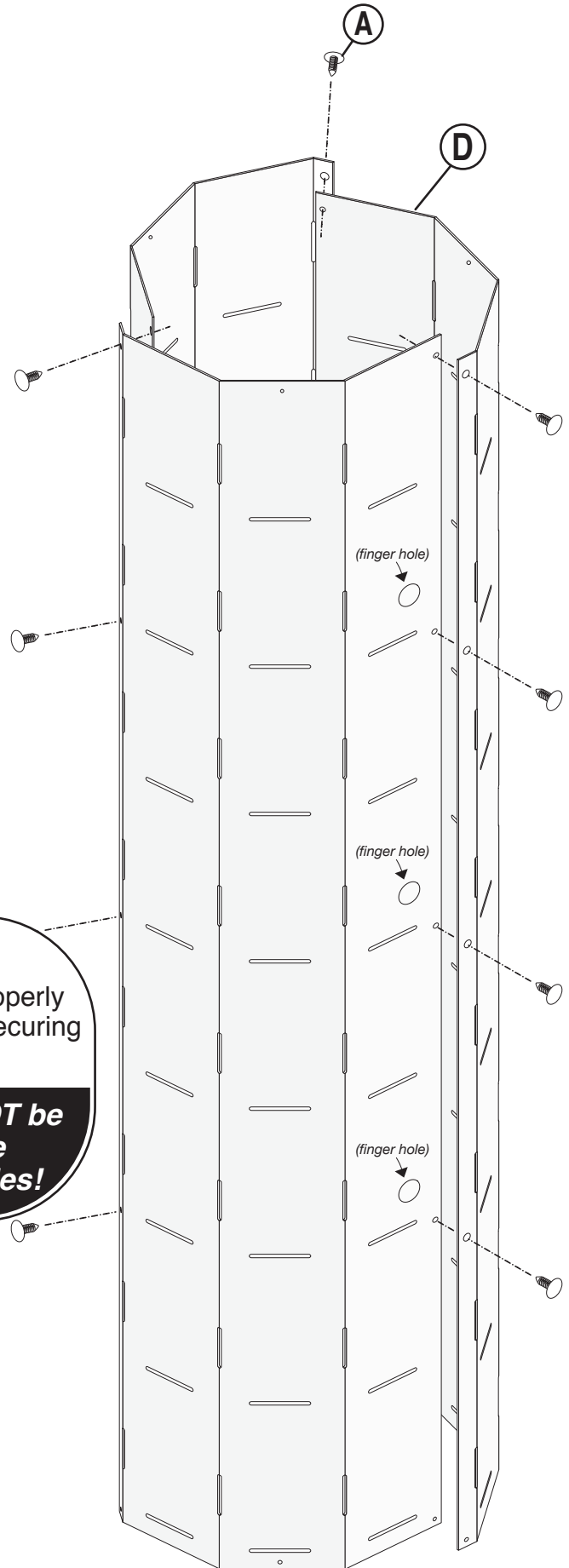
UPC Customer Service
1-800-859-7442

Design & Manufacture

U.S. PATENT NO.
8,534,472

ASSEMBLY

- 1** **A.** Peel protective masking off **Tower Panels (D)** before assembly.
- B.** Overlap each **Tower Panel (D)** so the large hole of facet lies outside the small hole of adjacent panel. (see figure *BELOW*)
- C.** Use Large Finger Holes (see figure *RIGHT*) to hold **Tower Panels (D)** tightly together while installing **Push Pins (A)**.
- D.** Join (3) **Tower Panels (D)** together using (12) **Push Pins (A)**. (see figure *RIGHT*)



NOTE:

Tower Panels (D) MUST be aligned properly at facets BEFORE securing with **Push Pins (A)**.

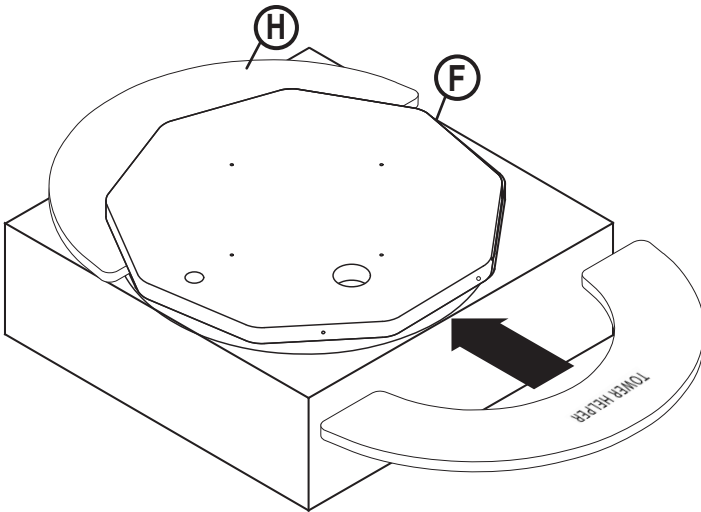
Push Pins CANNOT be removed once inserted into holes!

Small Hole
(align behind Large Hole)

Facet with Large Hole
(align in front of Small Hole)

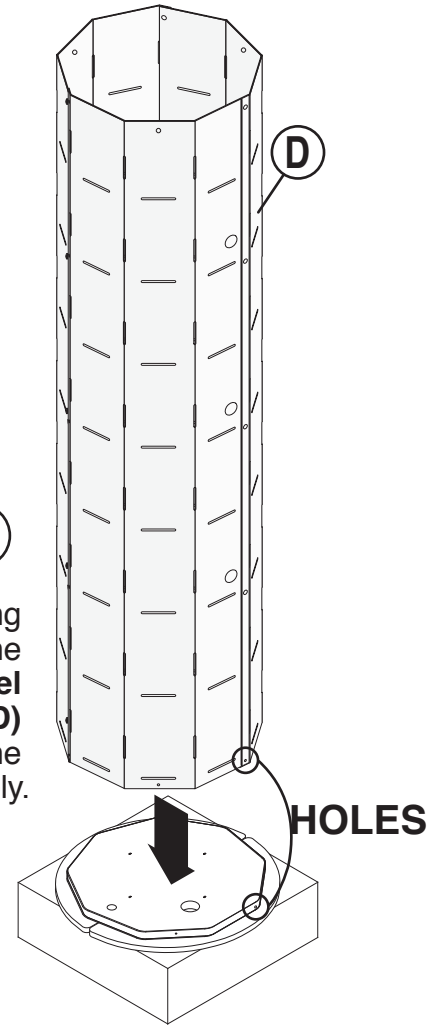
ASSEMBLY

- 2** This step will hold **Tower Panel Assembly (D)** up for installation to Base Assembly. Insert (2) **Tower Helpers (H)** under Spinner Plate of **Base (F)** on base, as shown below.

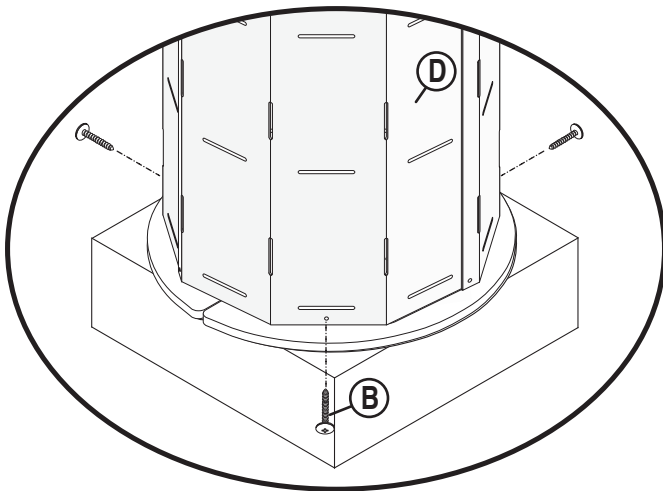


3

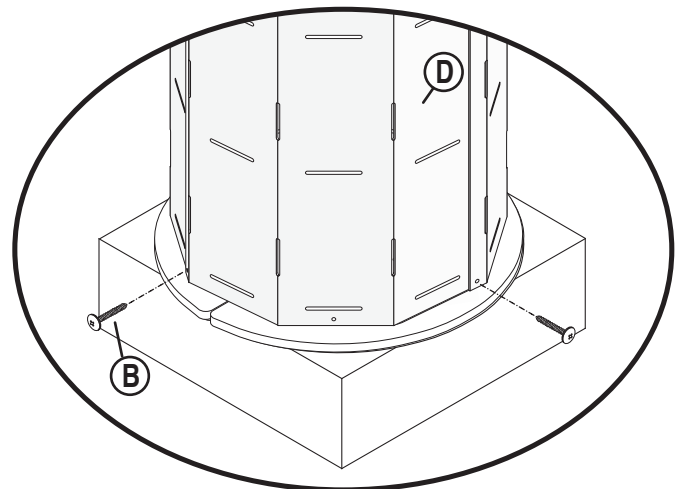
- Align corresponding holes and set the **Tower Panel Assembly (D)** onto the Base Assembly.



- 4** Secure **Tower Panel Assembly (D)** to Base Assembly at middle holes of Tower Panel Assembly. Attach Tower Panels to Spinner Plate edge with (3) **Trusshead Screws (B)**. **DO NOT** tighten completely!



- 5** Continue to secure **Tower Panel Assembly (D)** to Base Assembly at corner holes of Tower Panel Assembly. Attach panels to Spinner Plate edge with (3) **Trusshead Screws (B)**. Tighten all (6) securely.



If you have any questions or need replacement parts, please call:

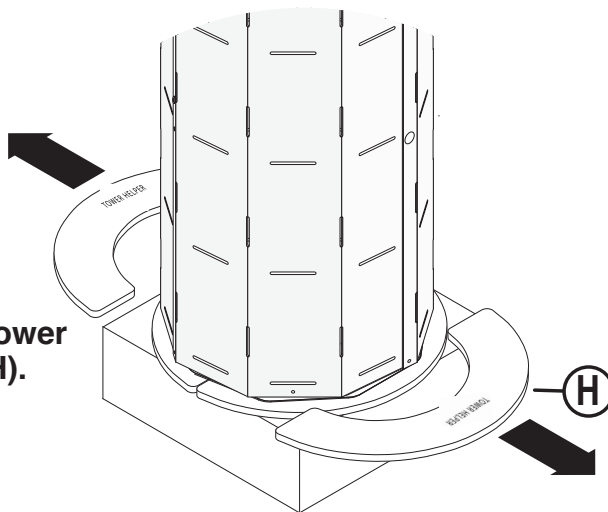
UPC Customer Service

1-800-859-7442

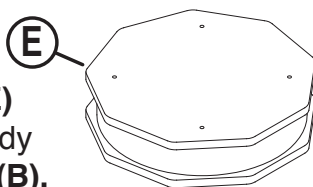
Design & Manufacture

ASSEMBLY

- 6** Remove **Tower Helpers (H)**.



- 7** Align holes and lower **Top (E)** onto assembly. Secure to Body with (3) **Trusshead Screws (B)**.



- 8** Attach (72) **Racks (G)** to assembly hooking sides into Vertical Slots and bottom tongue into Horizontal Slots.

Note: Each Vertical Slot will accommodate two adjacent **Racks (G)**.

