

# UPC ASSEMBLY INSTRUCTIONS

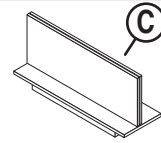
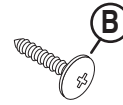
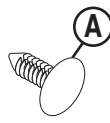
Design & Manufacture

## PARTS BAG

UPC 8162C

Double 144 Pocket Spinner

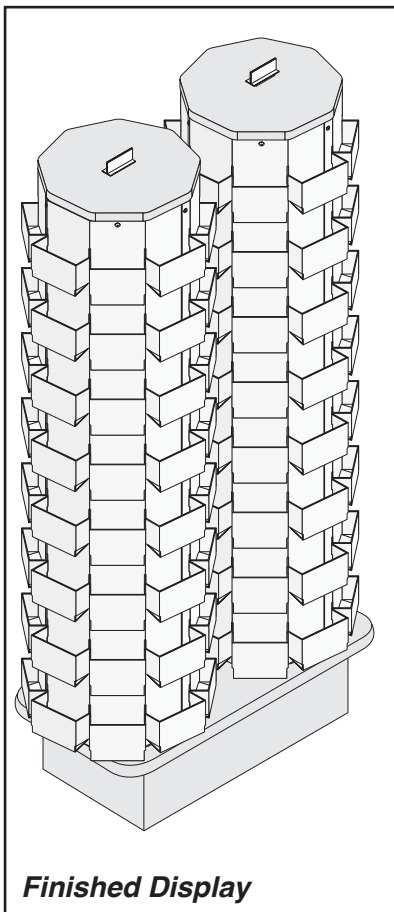
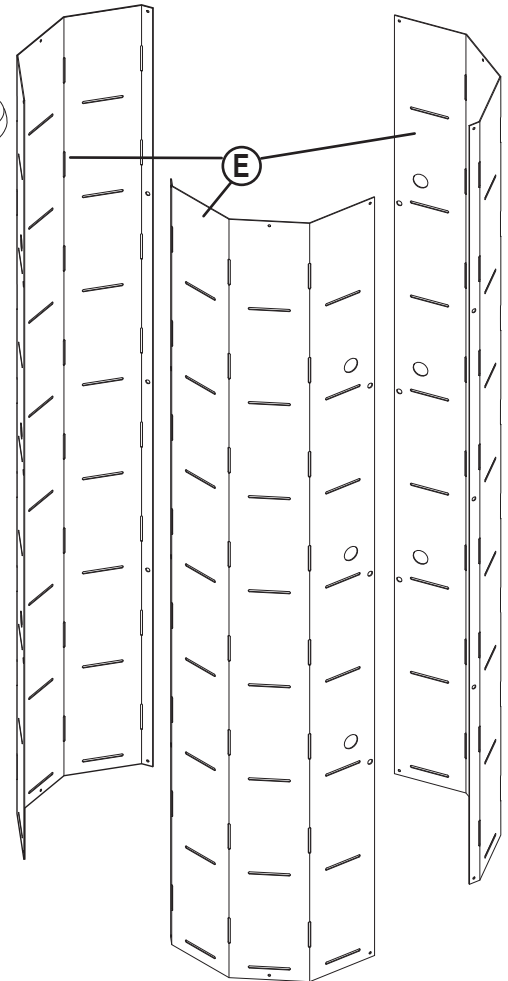
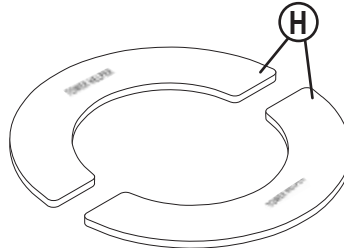
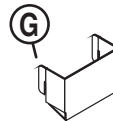
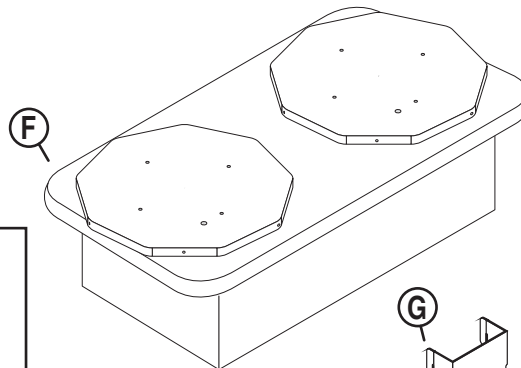
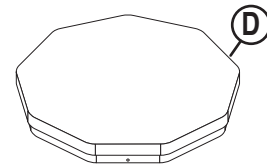
PART	Quantity	Reference
Push Pin	26 (2 extra)	A
Trusshead Screw	20 (2 extra)	B
Header Clip	2	C



TOOLS REQUIRED: #2 Phillips Screwdriver

## PARTS LIST

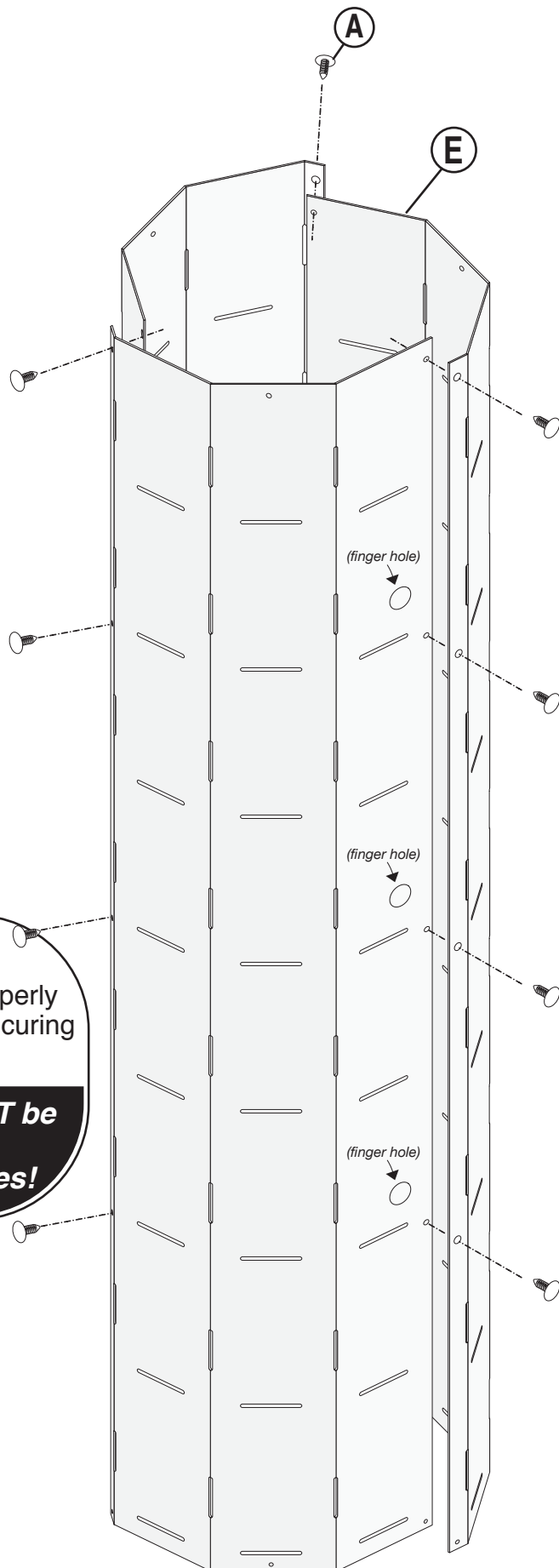
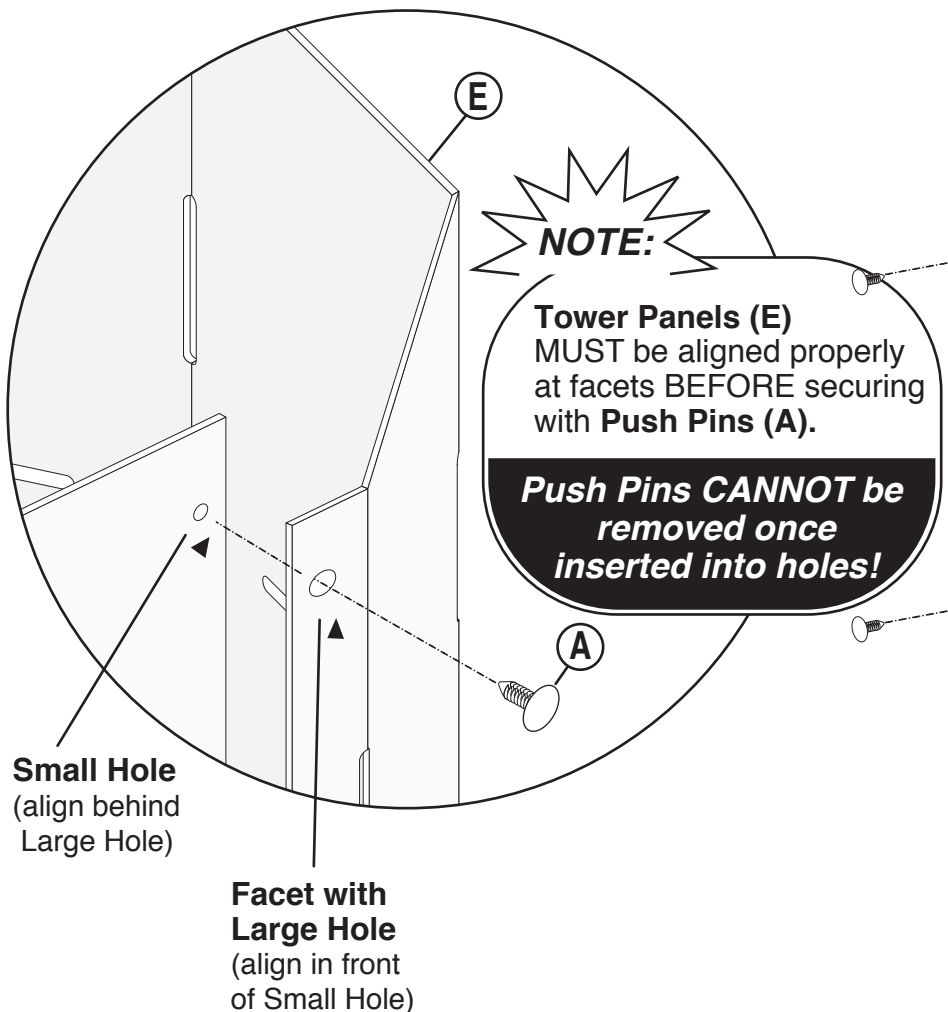
PART	Quantity	Reference
Top Cap	2	D
Tower Panel	6	E
Base	1	F
Racks	144	G
Tower Helper	2	H



If you have any questions or need replacement parts, please call:  
**UPC Customer Service**  
 1-800-859-7442  
**Design & Manufacture**

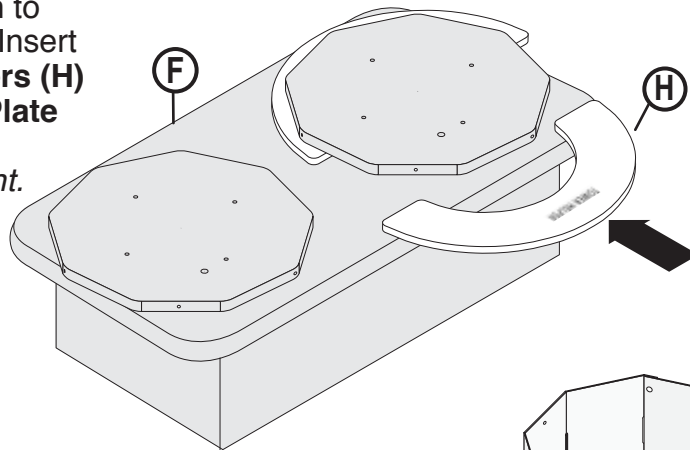
# ASSEMBLY

- 1** **A.** Peel protective masking off **Tower Panels (E)** before assembly.
- B.** Overlap each **Tower Panel (E)** so the large hole of facet lies outside the small hole of adjacent panel. (see figure *BELOW*)
- C.** Use Large Finger Holes (see figure *RIGHT*) to hold **Tower Panels (E)** tightly together while installing **Push Pins (A)**.
- D.** Join (3) **Tower Panels (E)** together using (12) **Push Pins (A)**. (see figure *RIGHT*)

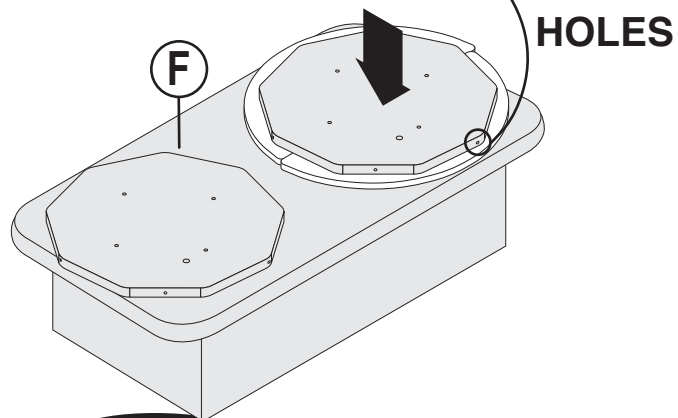
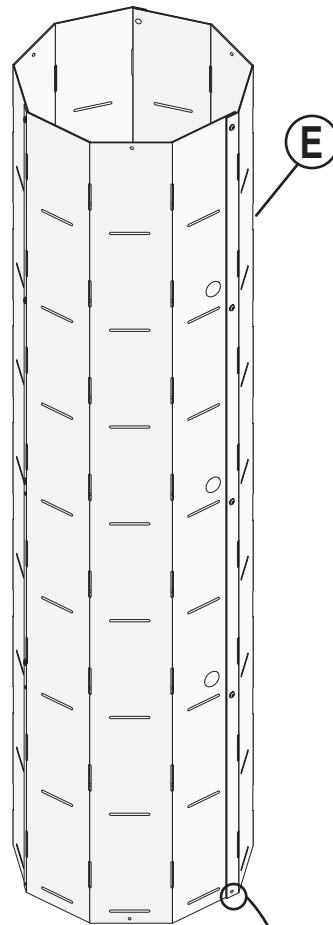


# ASSEMBLY

- 2** This step will hold **Tower Panel Assembly (E)** up for installation to Base Assembly. Insert (2) **Tower Helpers (H)** under **Spinner Plate** on **Base (F)**, as shown to the right.



- 3** Align corresponding holes and set the **Tower Panel Assembly (E)** onto the **Base (F)**.



If you have any questions or need replacement parts, please call:

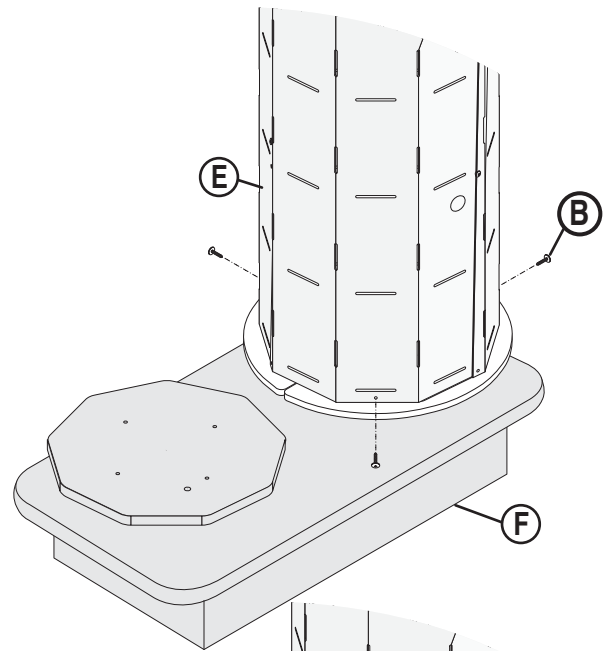
**UPC Customer Service**  
1-800-859-7442

**Design & Manufacture**

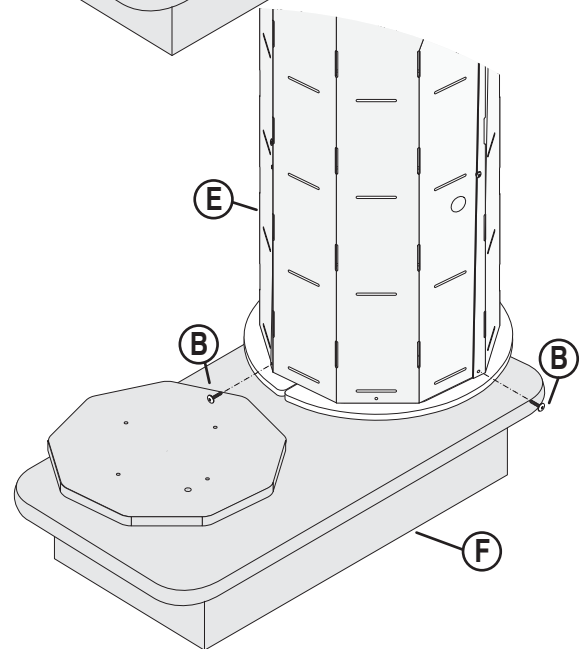
**U.S. PATENT NO.**  
**8,534,472**

## ASSEMBLY

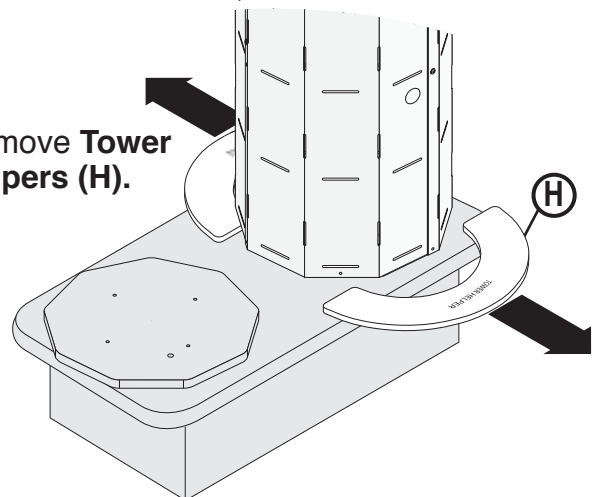
- 4** Secure **Tower Panel Assembly (E)** to **Base (F)** at middle holes of Tower Assembly. Attach Tower Panels to Spinner Plate edge with (3) **Trusshead Screws (B)**. **DO NOT** tighten completely!



- 5** Continue to secure **Tower Panel Assembly (E)** to **Base (F)** at corner holes of Tower Panel Assembly. Attach panels to Spinner Plate edge with (3) **Trusshead Screws (B)**. Tighten all (6) securely.



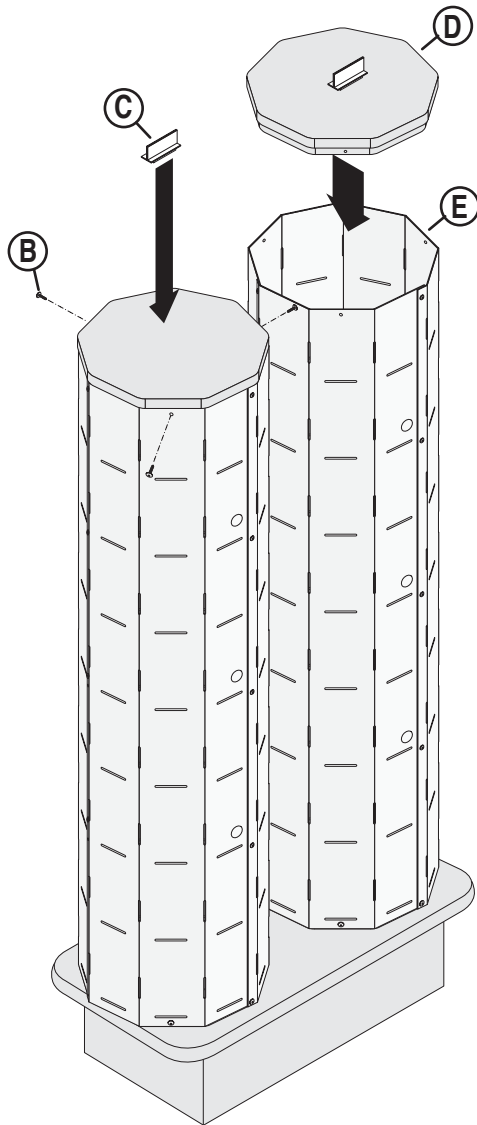
- 6** Remove **Tower Helpers (H)**.



**REPEAT  
STEPS 1-6  
FOR 2nd  
TOWER.**

## ASSEMBLY

- 7 Attach (2) **Header Clips (C)** to top of **Tower Panel Assemblies (E)** using attached Double Sided Tape.
- 8 Attach **Caps (D)** to the top of the **Tower Panels Assemblies (E)** using (3 each) **Trusshead Screws (B)**.



- 9 Attach **Racks (G)** by hooking the side tabs into the vertical slots in the **Tower Panel Assemblies (E)**. Lock Bottom tongue of **Racks (G)** into the horizontal slots on the **Tower Panel Assemblies (E)**. Each Vertical Slot holds two **Racks (G)** side by side.

