

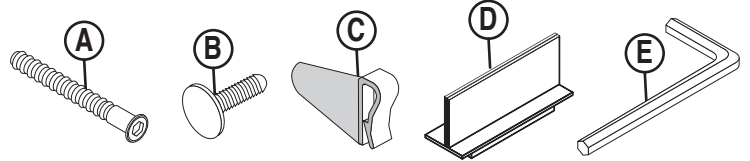
## PARTS BAG

**UPC#5699B**



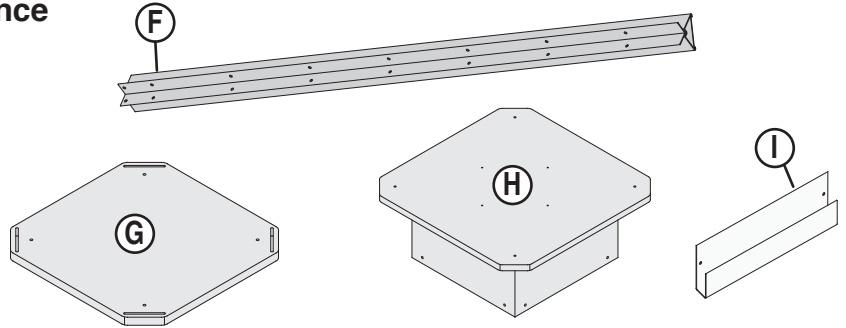
**84 Pocket Spinner**

PART	Quantity	Reference
Euro Screws	8	A
Push Pins	60 (4 extra)	B
Card Clips	56	C
Header Clip	1	D
Allen Wrench	1	E

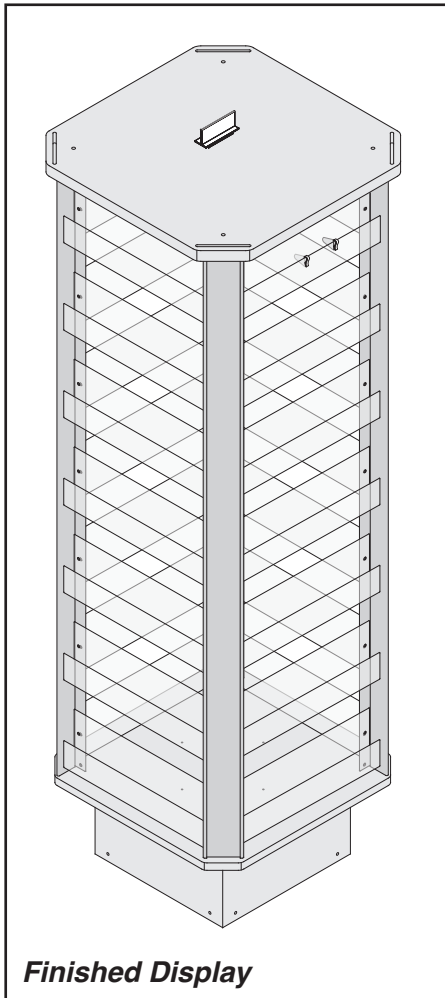


## PARTS LIST

PART	Quantity	Reference
Corner Posts	4	F
Top Cap	1	G
Base	1	H
Pockets	28	I

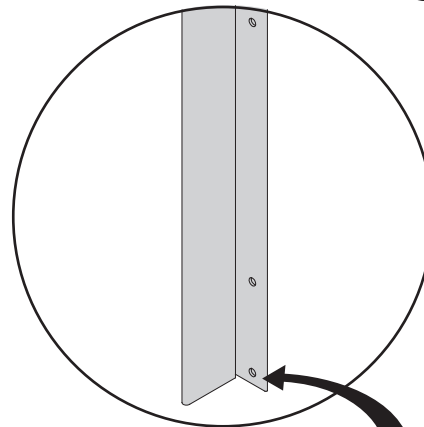


## ASSEMBLY

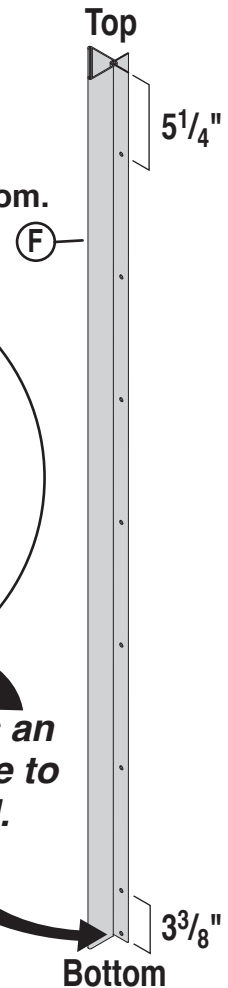


**1**

Identify Top and Bottom of (4) Corner Posts (F).  
**NOTE:** Holes are further from the top than the bottom.



**NOTE:** There is an extra hole close to the bottom end.



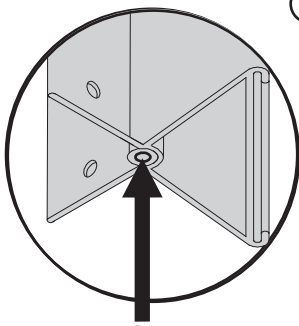
If you have any questions or need replacement parts, please call:

UPC Customer Service  
1-800-859-7442

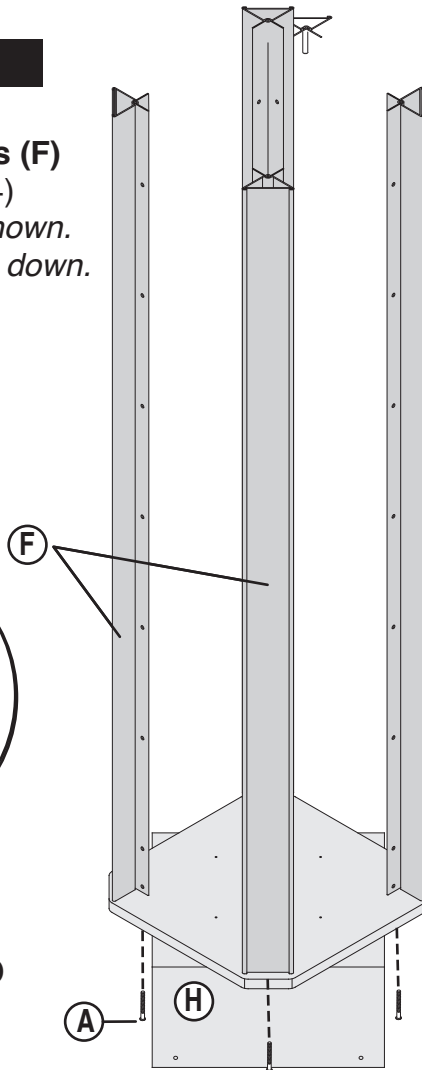
Design & Manufacture

## ASSEMBLY

- 2** Attach (4) **Corner Posts (F)** to the **Base (H)** using (4) **Euro Screws (A)**, as shown. *Top must be up, bottom down.*



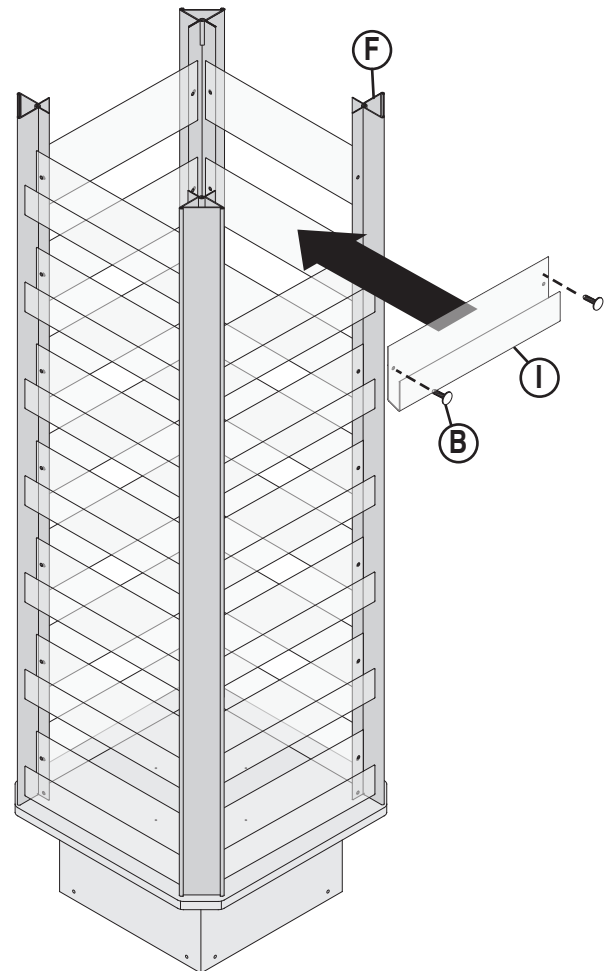
**NOTE:**  
Make sure to  
install Screw into  
round hole  
in Corner Posts.



- 3** Push (2) **Push Pins (B)** into each **Pocket (I)** then attach to **Corner Posts (F)**.

**Important Note:**

Insert **Push Pins (B)** through holes in **Pockets (I)** **FIRST**  
Then attach **Pocket Assembly** to **Tower**.  
Be sure **Push Pins** are tight - the **Racks** provide the rigidity of the tower.



If you have any questions or need replacement parts, please call:

UPC Customer Service  
1-800-859-7442

Design & Manufacture

## ASSEMBLY

4

Attach **Header Clip (D)** in center of **Top Cap (G)**. Attach **Top Cap (G)** onto **Corner Posts (F)** with (4) **Euro Screws (A)**. Insert **Card Clips (C)** where needed.

