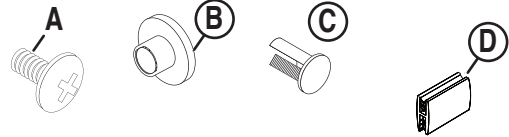


## PARTS BAG

UPC #4559

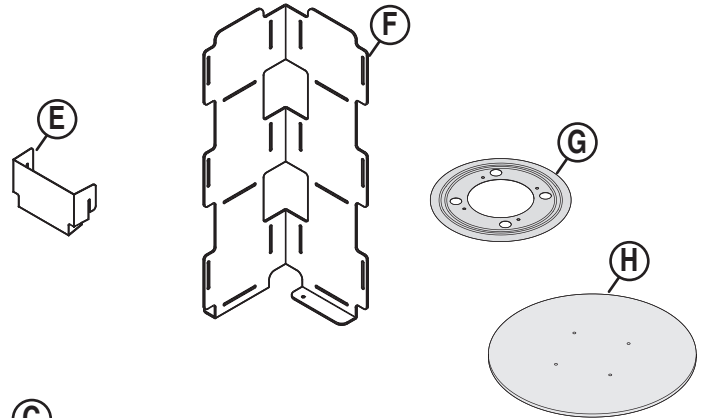
24 Pocket Spinner

PART	Quantity	Reference
#8-32 x 3/8" Screws	4	A
Screw Posts	4	B
Ratchet Rivets	2	C
Header Clip	2	D



## PARTS LIST

PART	Quantity	Reference
Pockets	24	E
Side Panels	2	F
Spinner	1	G
Base	1	H

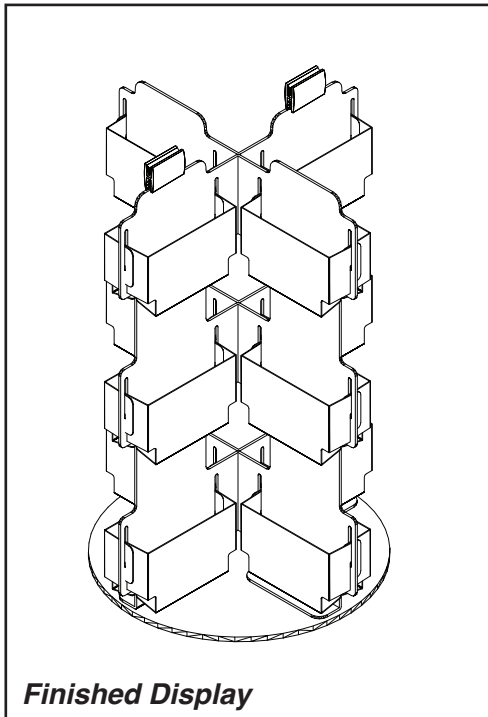
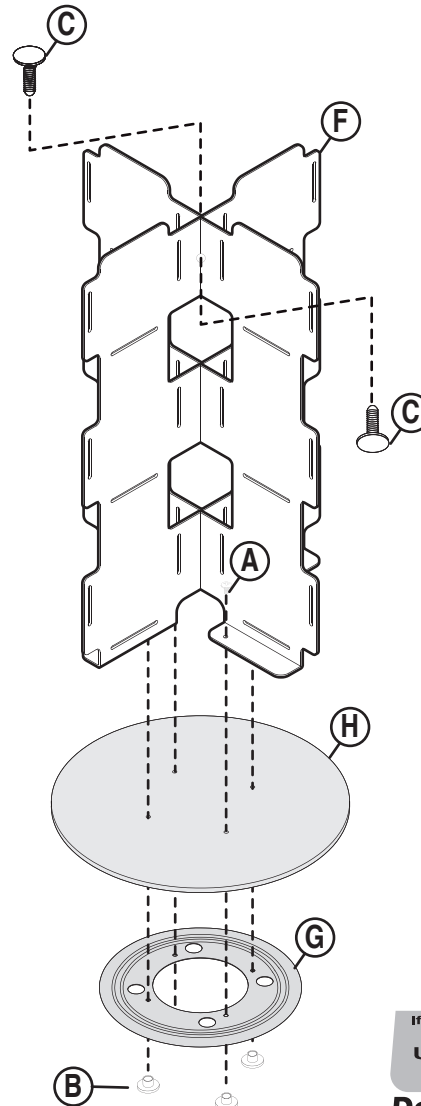


## ASSEMBLY

- 1 Attach (2) **Side Panels (F)** to **Base (H)** and to **Spinner (G)** with (4) **#8-32 x 3/8" Screws (A)** and (4) **Screw Posts (B)**.

Connect both **Side Panels (F)** with (2) **Ratchet Rivets (C)**, as shown.

*Note: Side Panels (F) should form the shape of an "X".*



If you have any questions or need replacement parts, please call:  
**UPC Customer Service**  
 1-800-859-7442  
**Design & Manufacture**

If you have any questions or need replacement parts, please call:

UPC Customer Service  
1-800-859-7442

Design & Manufacture

## ASSEMBLY

- 2 Attach **Pockets (E)** by hooking the tabs into the vertical slots in the **Side Panels (F)**.

Lock bottom tongue of **Pockets (E)** into the horizontal slots on the **Side Panels (F)**.

Each slot holds (2) **Pockets (E)**, one on each side of the **Side Panel (F)**.

Attach (2) **Header Clips (D)** where needed.

