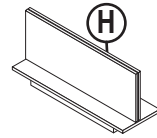
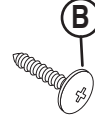
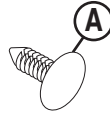


## PARTS BAG

4061A

Single 63 Pkt. Tower

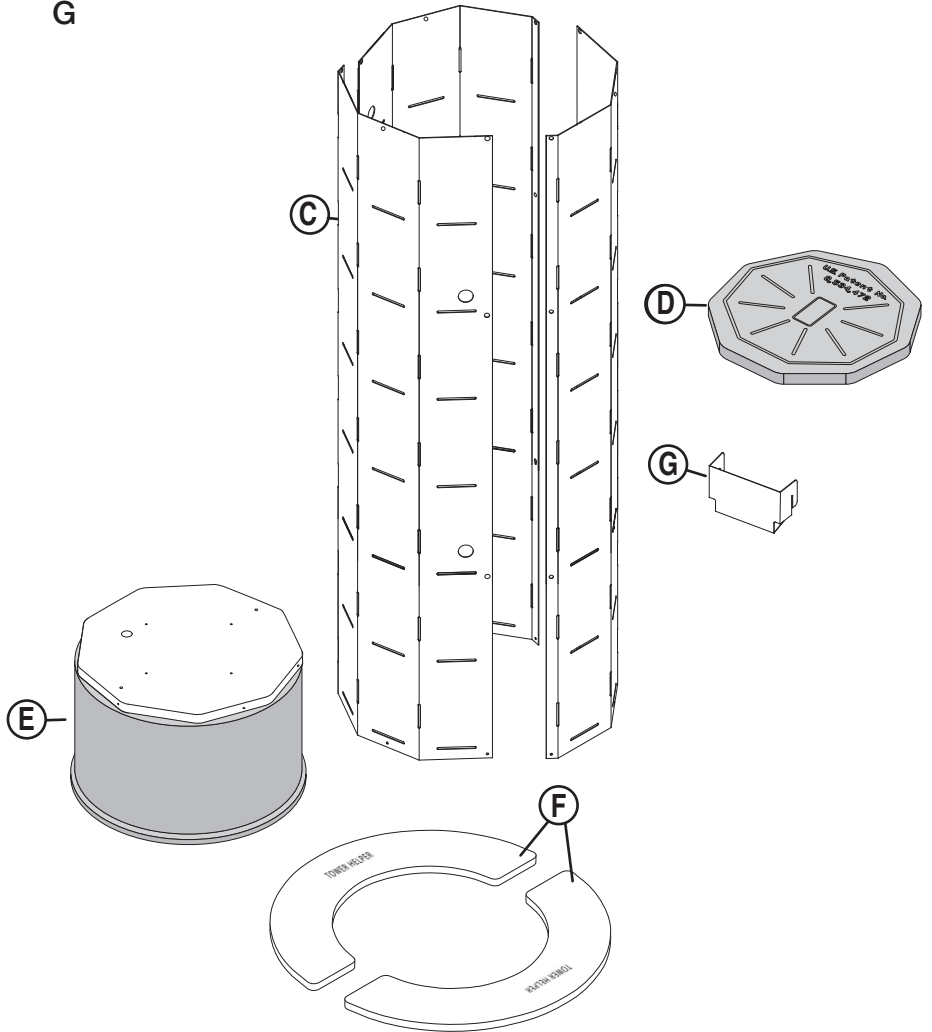
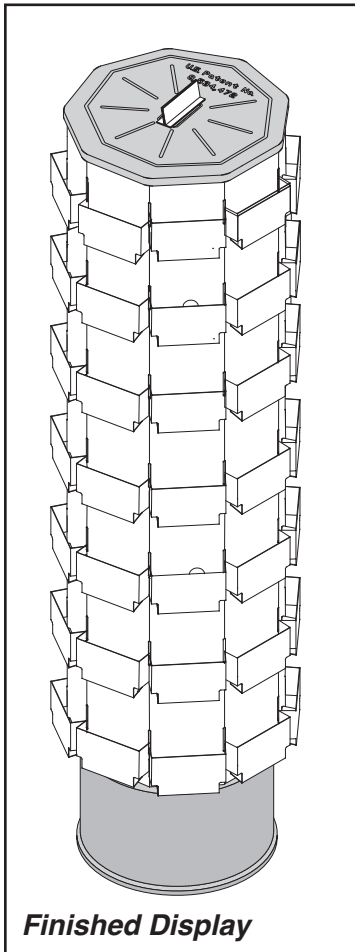
PART	Quantity	Reference
Push Pin	10 (1 Extra)	A
Trusshead Screw	6	B
Header Clip	1	H



## PARTS LIST

PART	Quantity	Reference
Tower Panel	3	C
Top	1	D
Base	1	E
Tower Helper	2	F
Rack	63	G

**IMPORTANT:** Peel protective masking off All Panels before assembly.

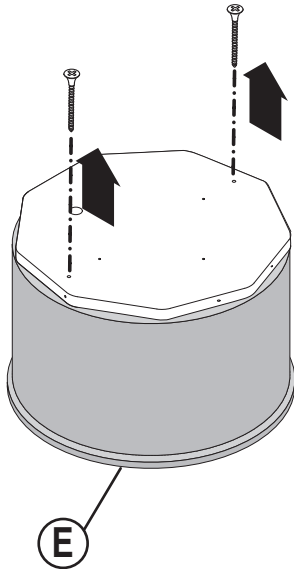


If you have any questions or need replacement parts, please call:  
**UPC Customer Service**  
1-800-859-7442

**Design & Manufacture**

# ASSEMBLY

- 1** Remove (2) screws from **Base (E)** and discard before beginning assembly.

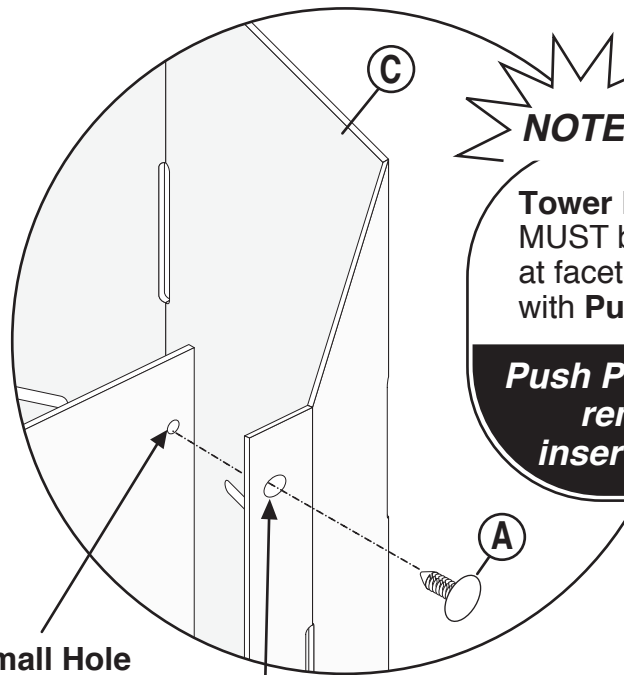
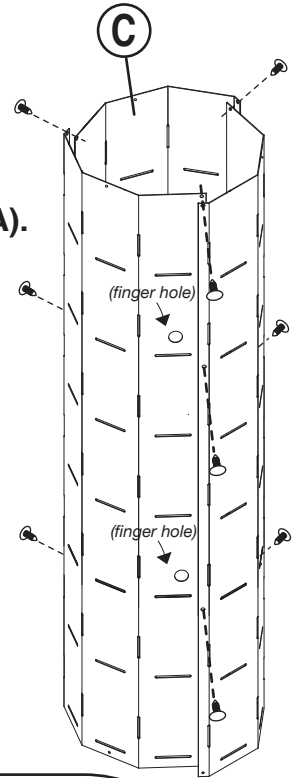


- 2** **A.** Peel protective masking off **Tower Panels (C)** before assembly.

- B.** Overlap each **Tower Panel (C)** so the large hole of facet lies outside the small hole of adjacent panel. (see figure RIGHT)

- C.** Use Large Finger Holes (see figure RIGHT) to hold **Tower Panels (C)** tightly together while installing **Push Pins (A)**.

- D.** Join (3) **Tower Panels (C)** together using (9) **Push Pins (A)**. (see figure BELOW)



**NOTE:**

**Tower Panels (C)** MUST be aligned properly at facets BEFORE securing with **Push Pins (A)**.

**Push Pins CANNOT be removed once inserted into holes!**

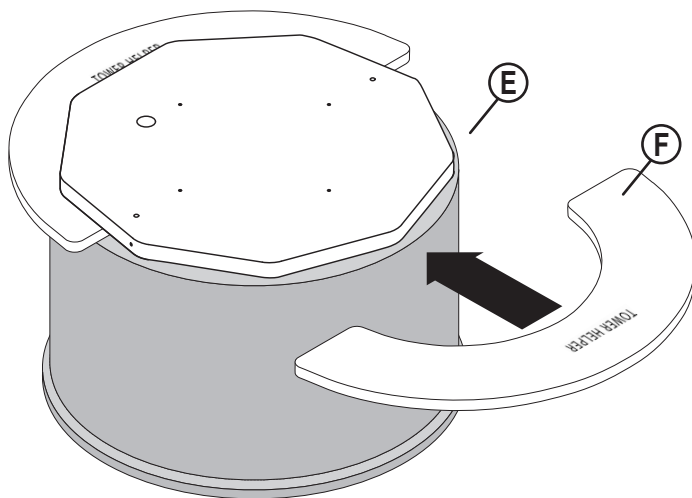
**Small Hole**  
(align behind Large Hole)

**Facet with Large Hole**  
(align in front of Small Hole)

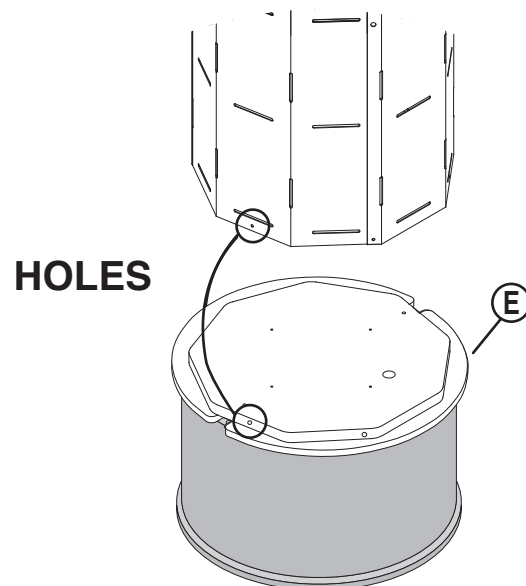


# ASSEMBLY

- 3** This step will hold **Tower Panel Assembly (C)** up for installation to **Base (E)**. Insert (2) **Tower Helpers (F)** under spinner plate on **Base (E)**, as shown below.

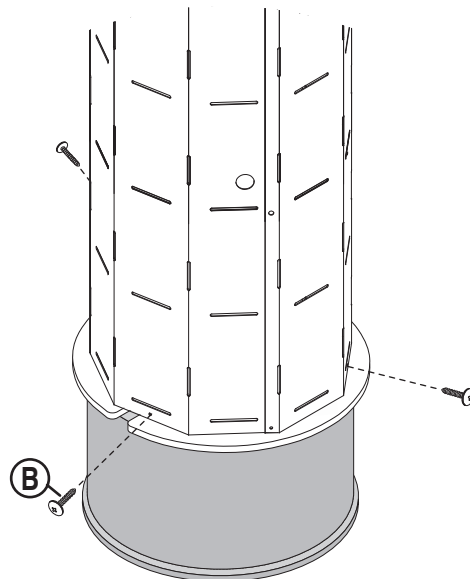


- 4** Align corresponding holes and set the **Tower Panel Assembly (C)** onto the **Base (E)**.

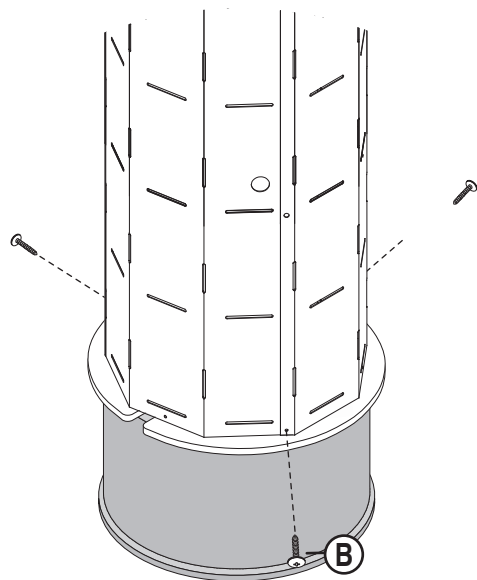


# ASSEMBLY

- 5** Secure **Tower Panel Assembly (C)** to **Base (E)** at middle holes of Tower Panel Assembly. Attach Tower Panels to Spinner Plate edge with (3) **Trusshead Screws (B)**. **DO NOT** tighten completely!



- 6** Continue to secure **Tower Panel Assembly (C)** to **Base (E)** at corner holes of Tower Panel Assembly. Attach panels to Spinner Plate edge with (3) **Trusshead Screws (B)**. Tighten all (6) securely.

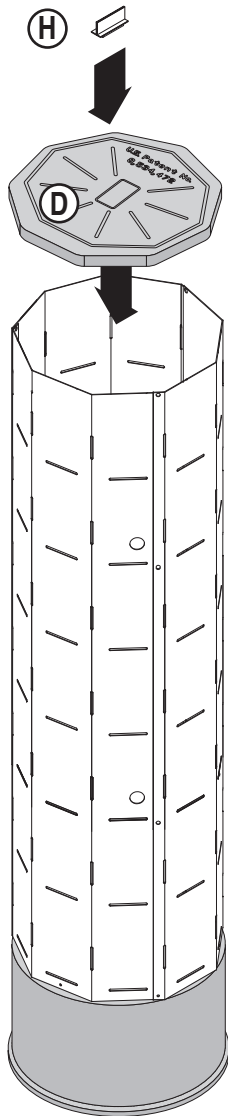


- 7** Remove **Tower Helpers (F)**.
-

# ASSEMBLY

- 8 Peel masking off of **Header Clip (H)** and secure to the center of the **Top (D)**

Lower **Top (D)** onto the top of **Tower Panel Assembly (C)**.



- 9 Attach **Racks (G)** by hooking the tabs into the vertical slots in the **Tower Panels (C)**.

Lock bottom tongue of **Racks (G)** into the horizontal slots on the **Tower Panels (C)**.

Each vertical slot holds two **Racks (G)** side-by-side.

