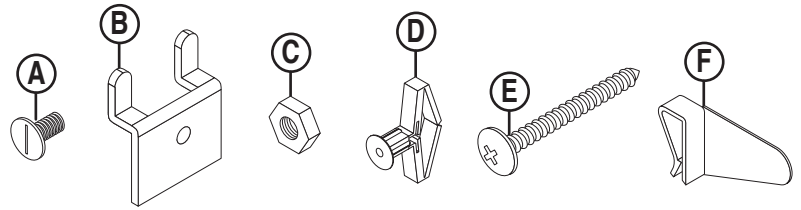


ASSEMBLY INSTRUCTIONS

PARTS BAG **UPC #3601 1-Per** **24" 2-Tier PETG Rack with 2/3 Exposure**

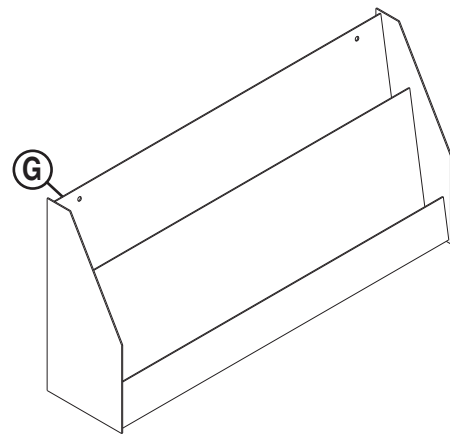
PART	Quantity	Reference
Screw Posts	2	A
Slatwall Adapters	2	B
Hex Nuts	2	C
Wall Toggles	2	D
Phillips Head Screws	2	E
Card Clips	6	F



TOOLS REQUIRED: Flathead Screwdriver (Slatwall)
Drill with 3/8" Drywall Bit & Phillips Screwdriver (Drywall)

PARTS LIST

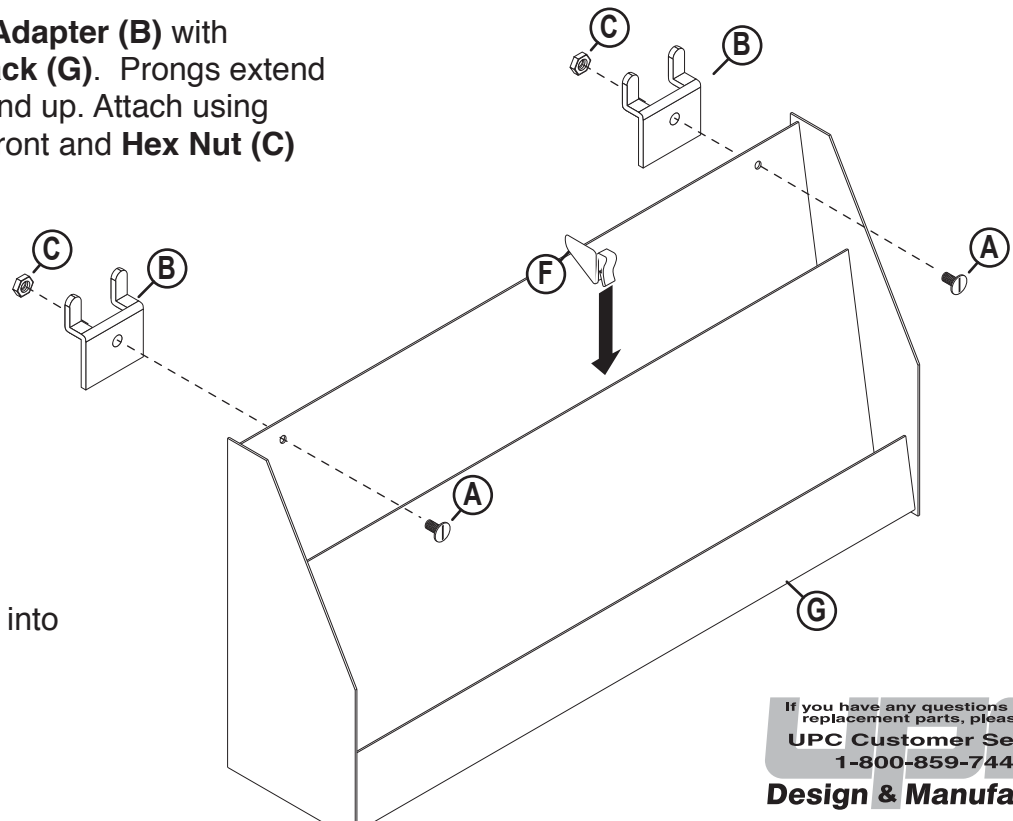
PART	Quantity	Reference
Rack	1	G



Slatwall Assembly

NOTE: Assemble for EITHER Slatwall or Drywall, not both.

- Align hole in **Slatwall Adapter (B)** with back side of hole in **Rack (G)**. Prongs extend back toward Slatwall and up. Attach using **Screw Post (A)** from front and **Hex Nut (C)** on back.



- Insert **Card Clips (F)** into **Rack (G)**.

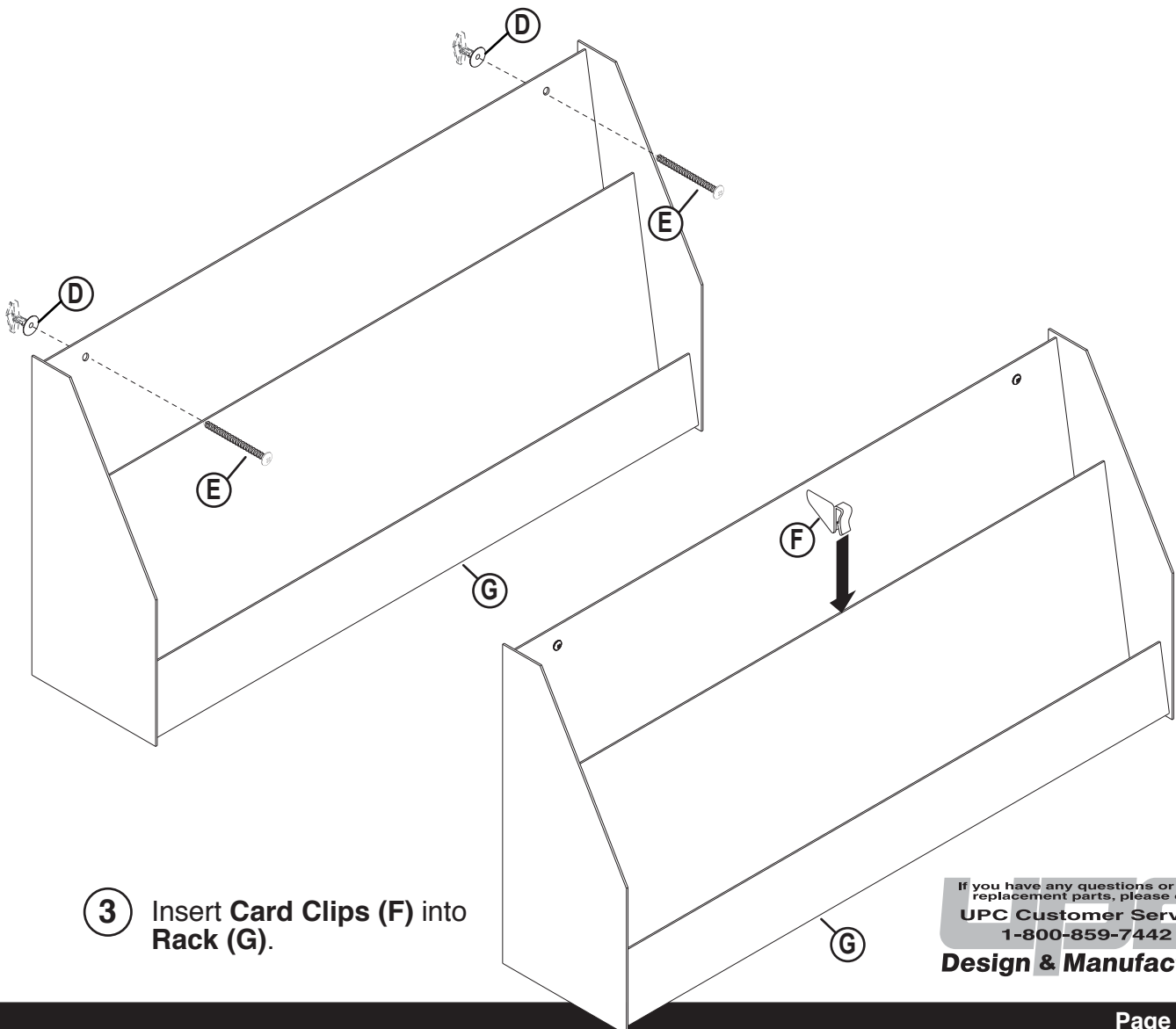
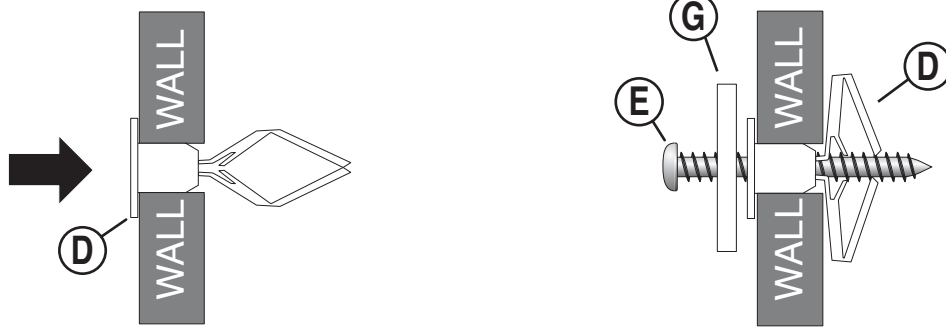
If you have any questions or need replacement parts, please call:
UPC Customer Service
1-800-859-7442
Design & Manufacture

Drywall Assembly

NOTE: Assemble for EITHER Slatwall or Drywall, not both.

- 1 Determine position on wall and drill hole with 3/8" drywall bit. Squeeze **Wall Toggler (D)** flat and insert into hole. Tap flange flush with wall.

- 2 Place **Rack (G)** against **Wall Toggler (D)** and insert **Phillips Head Screw (E)**, tightening until secure.



- 3 Insert **Card Clips (F)** into **Rack (G)**.

If you have any questions or need replacement parts, please call:
UPC Customer Service
1-800-859-7442

Design & Manufacture