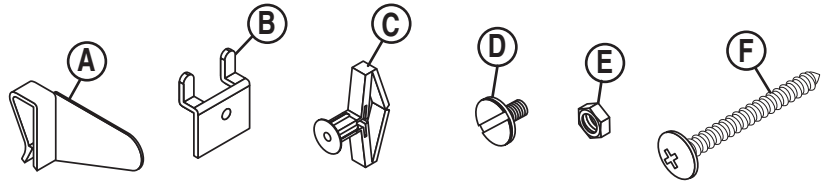


ASSEMBLY INSTRUCTIONS

Thank you for your purchase of one of many fine products designed & manufactured by UPC. We have made every effort to make your assembly easy, clear & hassle free. For more information or if you have any questions contact customer service at 1-800-859-7442.

PARTS BAG UPC#0989 5-Per 1-Tier 48" Acrylic Card Rack

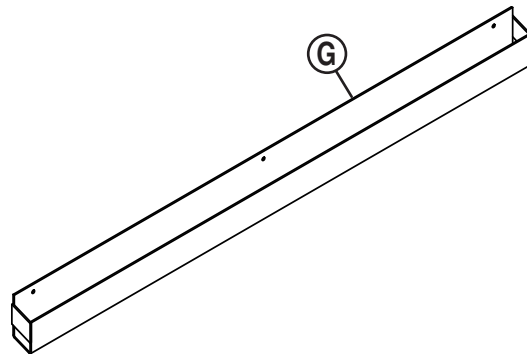
PART	Quantity	Reference
Card Clip	45	A
Slatwall Adapter	15	B
Wall Toggle	15	C
Screw Post	15	D
Nut	15	E
Phillips Screw	15	F



TOOLS REQUIRED: Flathead Screwdriver (Slatwall)
Drill with 3/8" or 3/32" Drill Bit & Phillips Screwdriver (Drywall)

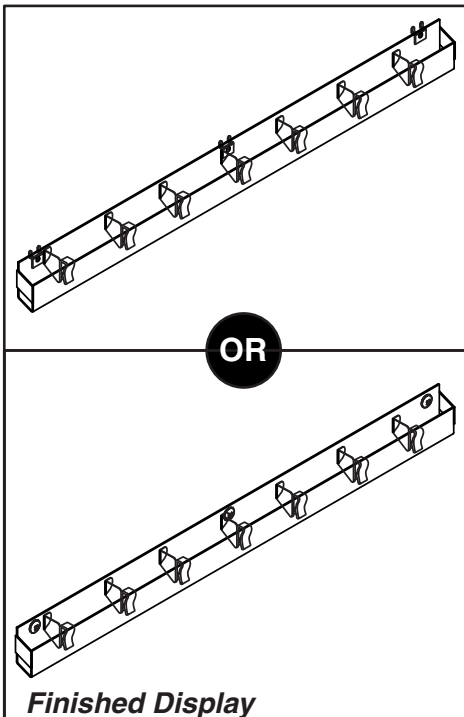
PARTS LIST

PART	Quantity	Reference
Rack	5	G

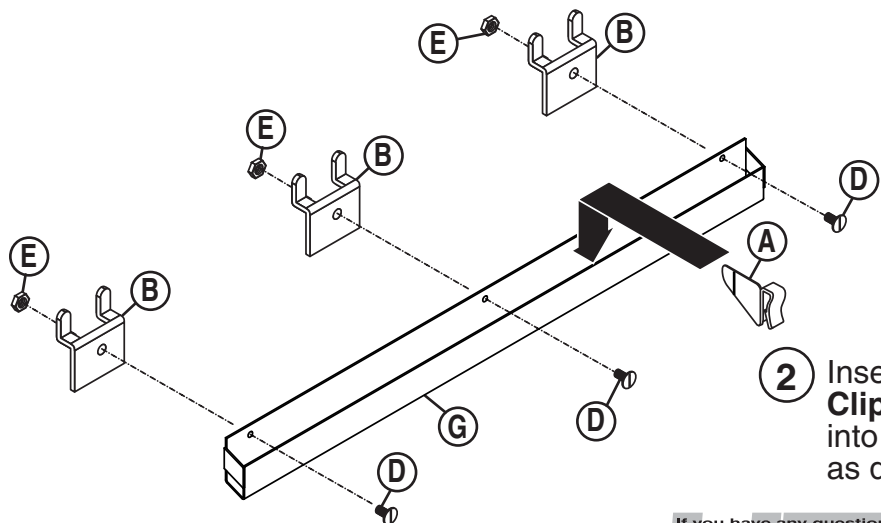


Slatwall Assembly

NOTE: Assemble for EITHER Slatwall or Drywall, not both.



- Align hole in **Slatwall Adapter (B)** with back side of hole in **Rack (G)**. Prongs extend back toward Slatwall and up. Attach using **Screw Post (D)** from front and **Nut (E)** on back.



- Insert **Card Clips (A)** into **Rack (G)** as desired.

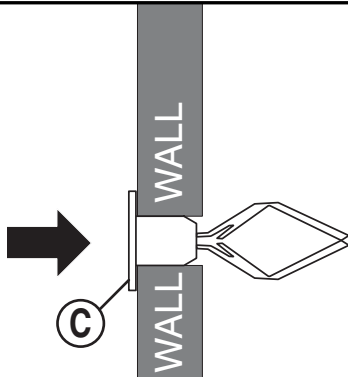
NOTE: Assemble for EITHER Slatwall or Drywall, NOT BOTH.

If you have any questions please call:
UPC Customer Service
1-800-859-7442
Design & Manufacture
upcdisplays.com

Drywall Assembly

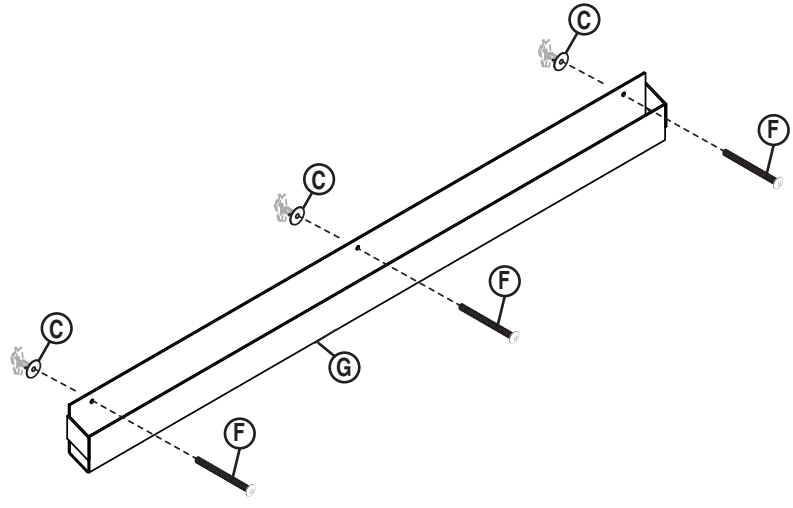
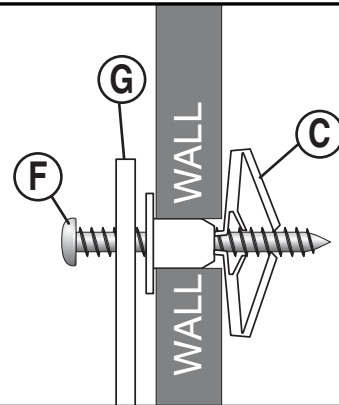
NOTE: Assemble for EITHER Slatwall or Drywall, not both.

- 1 Determine position on wall and drill 3/8" hole. Squeeze **Wall Toggler (C)** flat and insert into hole. Tap flange flush with wall.

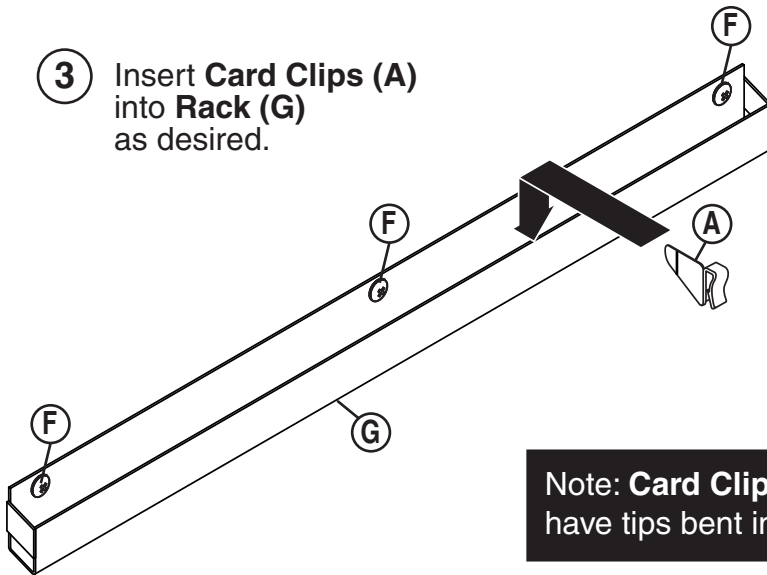


NOTE: DO NOT use wall toggler if mounting to a wall stud. Use Wall Toggler for hollow drywall only. Use 3/32" drill bit for any screws drilled directly into studs.

- 2 Place **Rack (G)** against Toggler and insert **Phillips Screw (F)**, tightening until secure.



- 3 Insert **Card Clips (A)** into **Rack (G)** as desired.



Note: **Card Clips (A)** Will need to have tips bent in for proper insertion

