

Thank you for your purchase of one of many fine products designed & manufactured by UPC. We have made every effort to make your assembly easy, clear & hassle free. For more information or if you have any questions contact customer service at 1-800-859-7442.

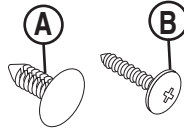
UPC# 92760 & 92888

Single 72 Pkt. Tower

PARTS BAG

with Backcountry Sandwich Style Top and Base

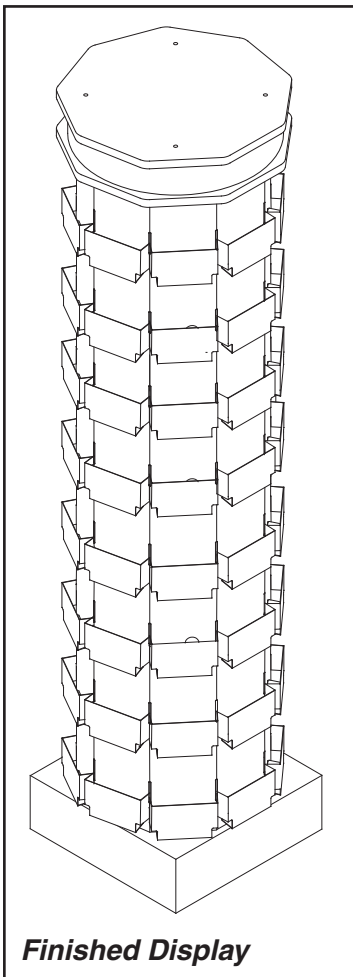
PART	Quantity	Reference
Push Pin	13 (1 extra)	A
Trusshead Screw	9	B



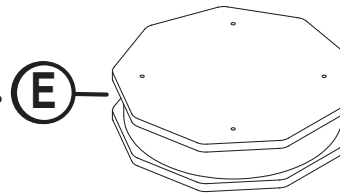
IMPORTANT: Peel protective masking off All Panels before assembly.

PARTS LIST

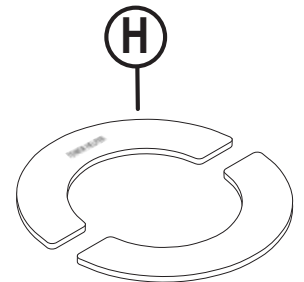
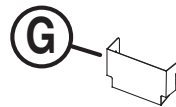
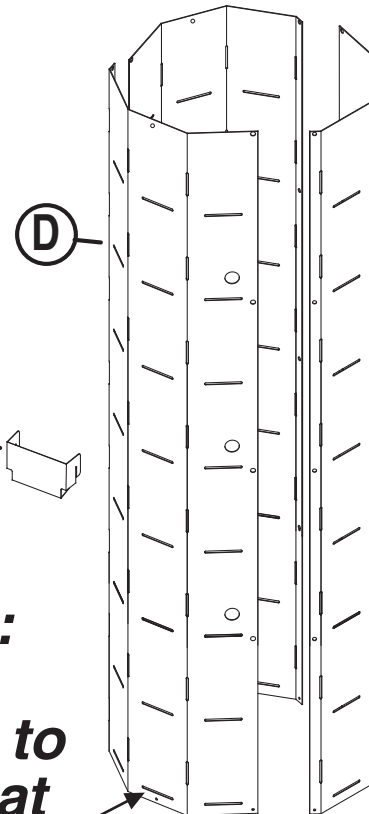
PART	Quantity	Reference
Panel	3	D
Top	1	E
Base	1	F
Rack	72	G
Tower Helper	2	H



#92888



#92760



**NOTE:
Slots
Close to
Edge at
Bottom**



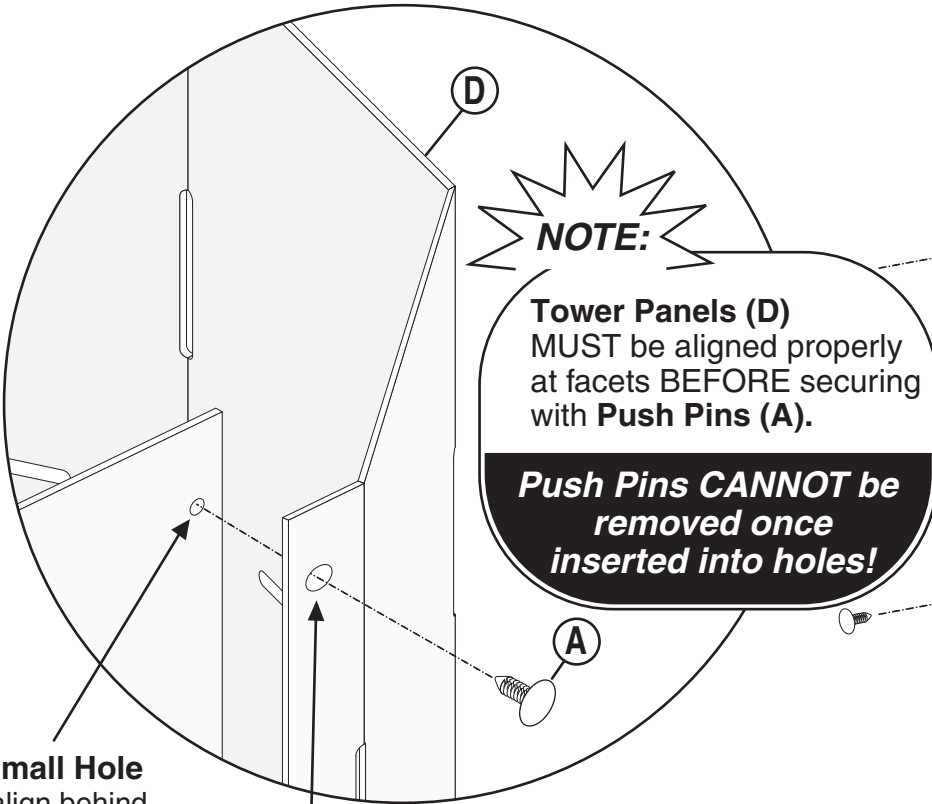
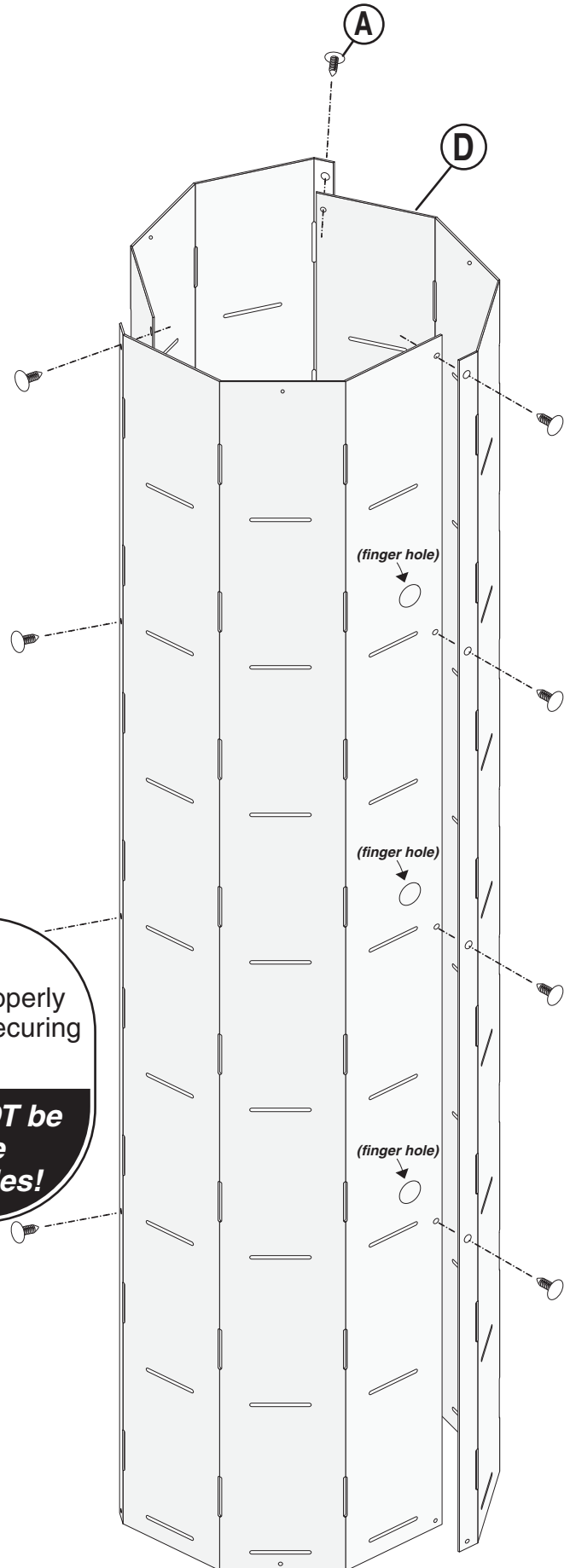
If you have any questions or need replacement parts, please call:

UPC Customer Service
1-800-859-7442

Design & Manufacture

ASSEMBLY

- 1 A. Peel protective masking off **Tower Panels (D)** before assembly.
- B. Overlap each **Tower Panel (D)** so the large hole of facet lies outside the small hole of adjacent panel. (*see figure BELOW*)
- C. Use Large Finger Holes (*see figure RIGHT*) to hold **Tower Panels (D)** tightly together while installing **Push Pins (A)**.
- D. Join (3) **Tower Panels (D)** together using (12) **Push Pins (A)**. (*see figure RIGHT*)

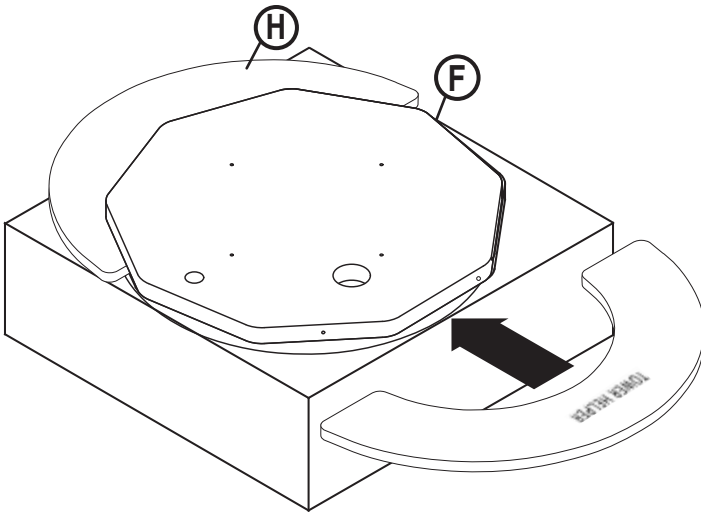


Small Hole
(align behind Large Hole)

Facet with Large Hole
(align in front of Small Hole)

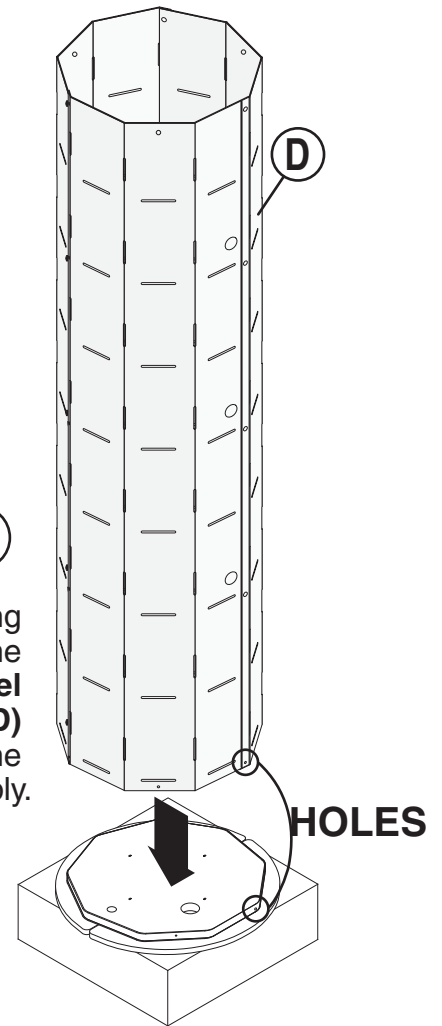
ASSEMBLY

- 2** This step will hold **Tower Panel Assembly (D)** up for installation to Base Assembly. Insert (2) **Tower Helpers (H)** under Spinner Plate of **Base (F)** on base, *as shown below.*

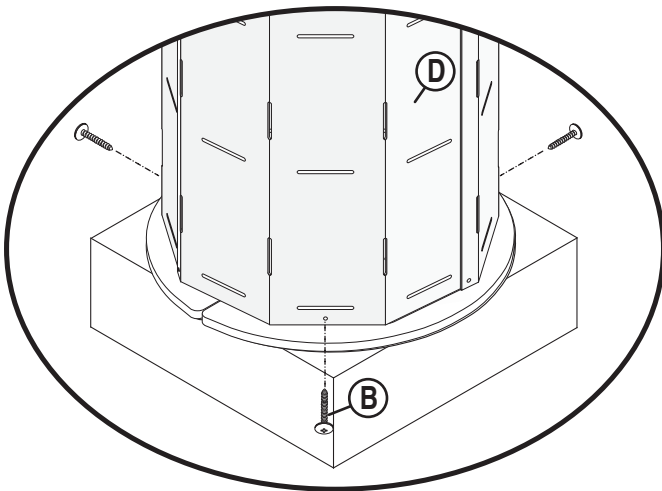


3

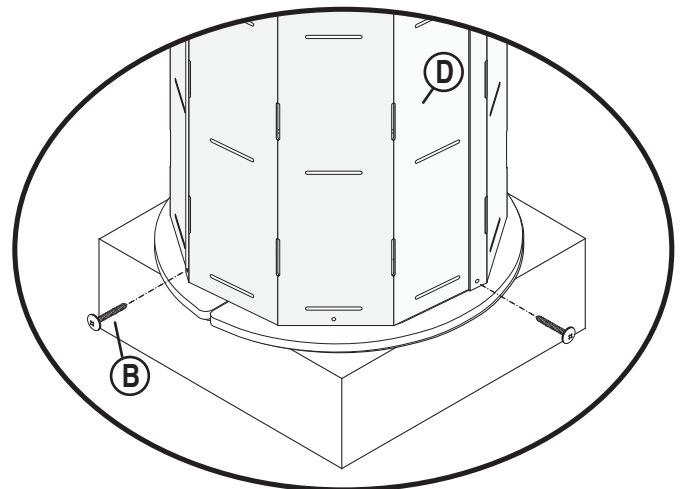
- Align corresponding holes and set the **Tower Panel Assembly (D)** onto the Base Assembly.



- 4** Secure **Tower Panel Assembly (D)** to Base Assembly at middle holes of Tower Panel Assembly. Attach Tower Panels to Spinner Plate edge with (3) **Trusshead Screws (B)**. **DO NOT** tighten completely!



- 5** Continue to secure **Tower Panel Assembly (D)** to Base Assembly at corner holes of Tower Panel Assembly. Attach panels to Spinner Plate edge with (3) **Trusshead Screws (B)**. Tighten all (6) securely.



If you have any questions or need replacement parts, please call:

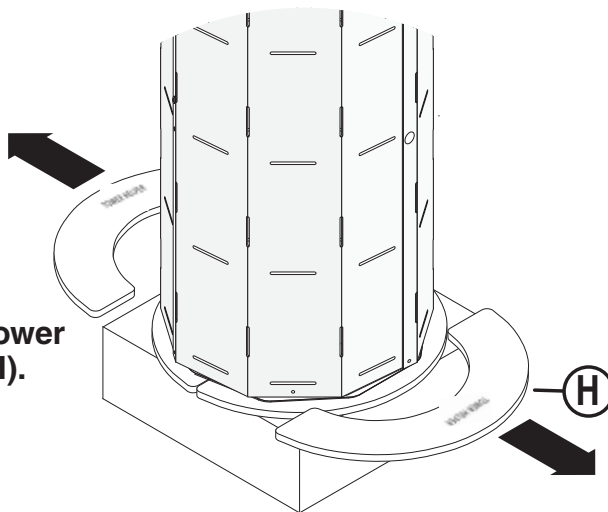
UPC Customer Service

1-800-859-7442

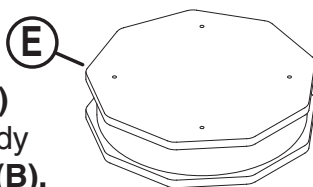
Design & Manufacture

ASSEMBLY

- 6 Remove Tower Helpers (H).



- 7 Align holes and lower Top (E) onto assembly. Secure to Body with (3) Trusshead Screws (B).



- 8 Attach (72) Racks (G) to assembly hooking sides into Vertical Slots and bottom tongue into Horizontal Slots.

Note: Each Vertical Slot will accommodate two adjacent Racks (G).

