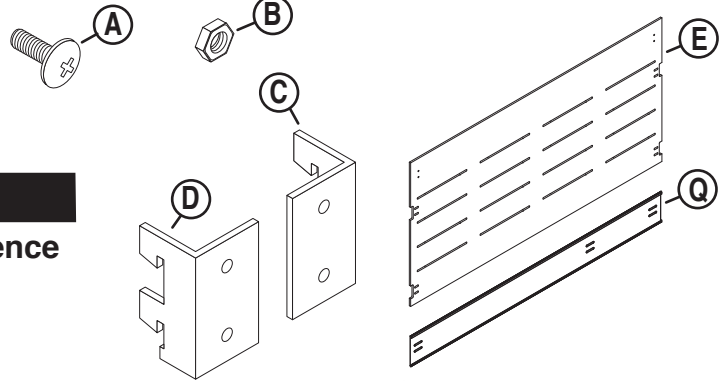


PARTS BAG

UPC 80851

4' Above Fixture Extender

PART	Quantity	Reference
Screw	8	A
Nut	8	B
Right Bracket	2	C
Left Bracket	2	D



PARTS LIST

PART	Quantity	Reference
Back Filler Panel	1	E
Sign Track (<i>Shipped with Display</i>)	1	Q

ASSEMBLY

Note: Do not extend Uprights above the point of four hidden slots.

- Attach (4) **Left & Right Brackets (C/D)** to **Back Filler Panel (E)** using (8) **Screws (A)** and (8) **Nuts (B)**. *See Detail below.*
- Hook assembled **Back Filler Panel (E)** onto front of **Slotted Uprights**. If necessary adjust extension of **Slotted Uprights** by removing **Key**, adjusting and replacing **Key** in appropriate slot.
- Attach **Sign Track (Q)** (*shipped with Display*) to **Back Filler Panel (E)** using (4) each **Screws (A)** & **Nuts (B)** (*shipped with Display*).

