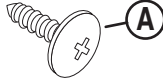


## PARTS BAG

UPC 8082

11 Tier 3' Back Panel

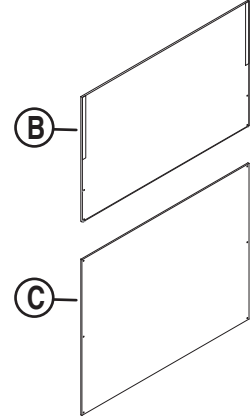
PART	Quantity	Reference
Screw	12 (2 extra)	A



TOOLS REQUIRED: #2 Phillips Screwdriver

## PARTS

PART	Quantity	Reference
Upper Back Panel	1	B
Lower Back Panel	1	C

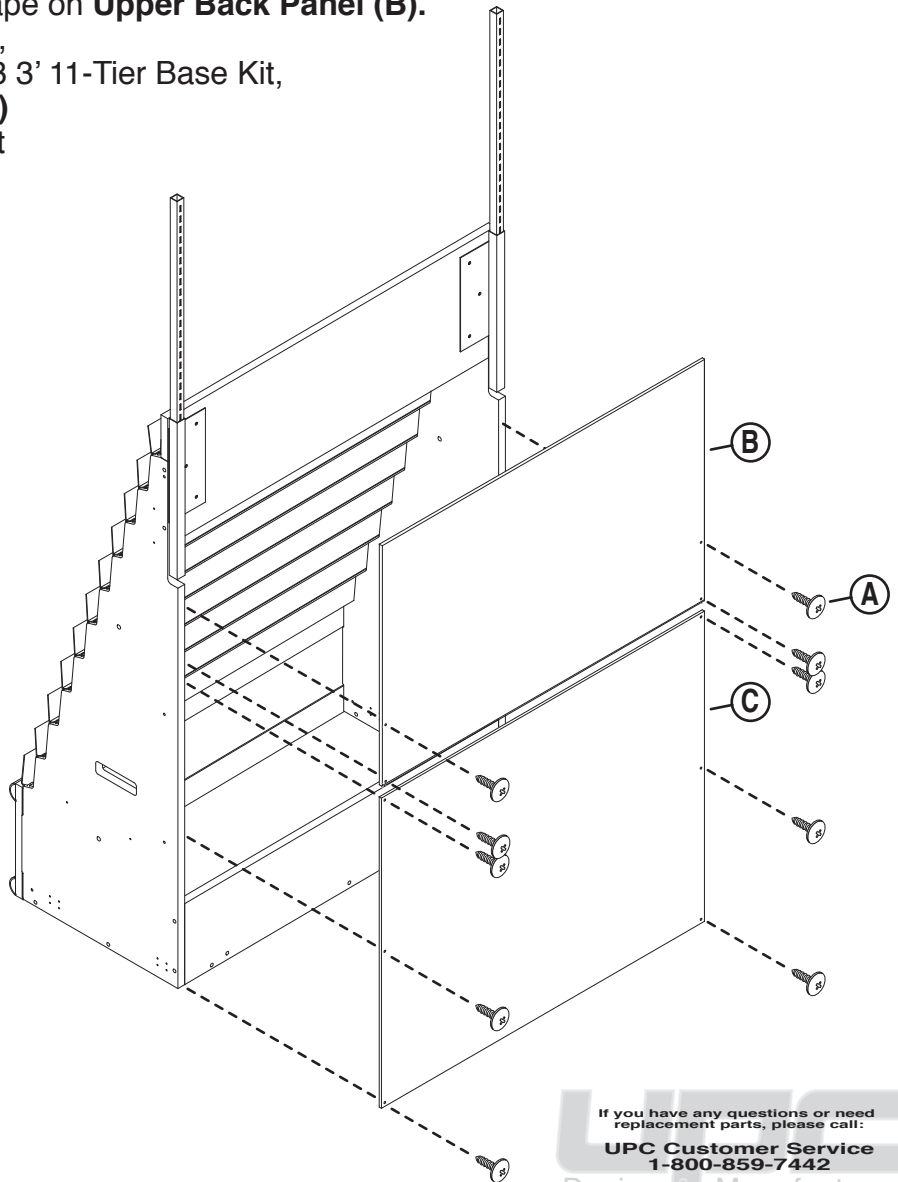


## ASSEMBLY

- Peel masking from double stick tape on **Upper Back Panel (B)**.  
 Orient Panel with tape toward top, align top of Panel with top of 8083 3' 11-Tier Base Kit, and attach **Upper Back Panel (B)** to the back of the 11-Tier Base Kit using (4) **Screws (A)**.  
*Press upper sides against 11-Tier Base Kit to adhere tape.*

Install **Lower Back Panel (C)** to the back of unit using (6) **Screws (A)**.

UPC 8083



If you have any questions or need replacement parts, please call:  
**UPC Customer Service**  
 1-800-859-7442  
 Design & Manufacture