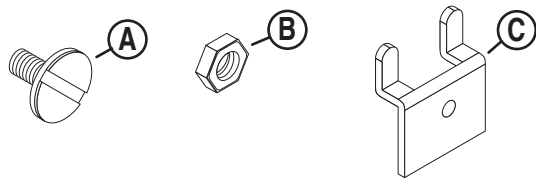


**UPC 8072**

**Two Tier Card Rack for 4' Above Fixture Extender**

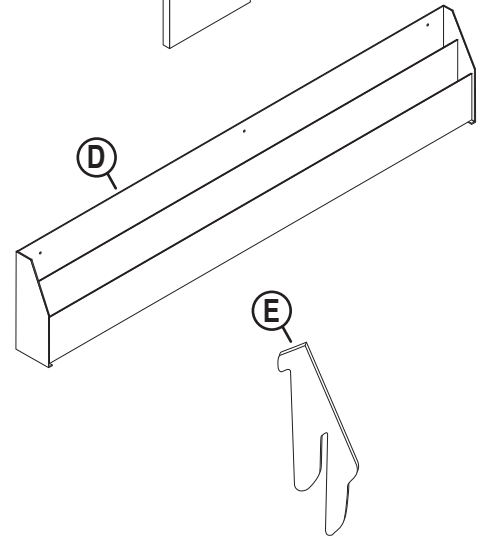
## PARTS BAG

PART	Quantity	Reference
Screw Post	3 (1 extra)	A
Nut	3 (1 extra)	B
Mounting Bracket	3 (1 extra)	C



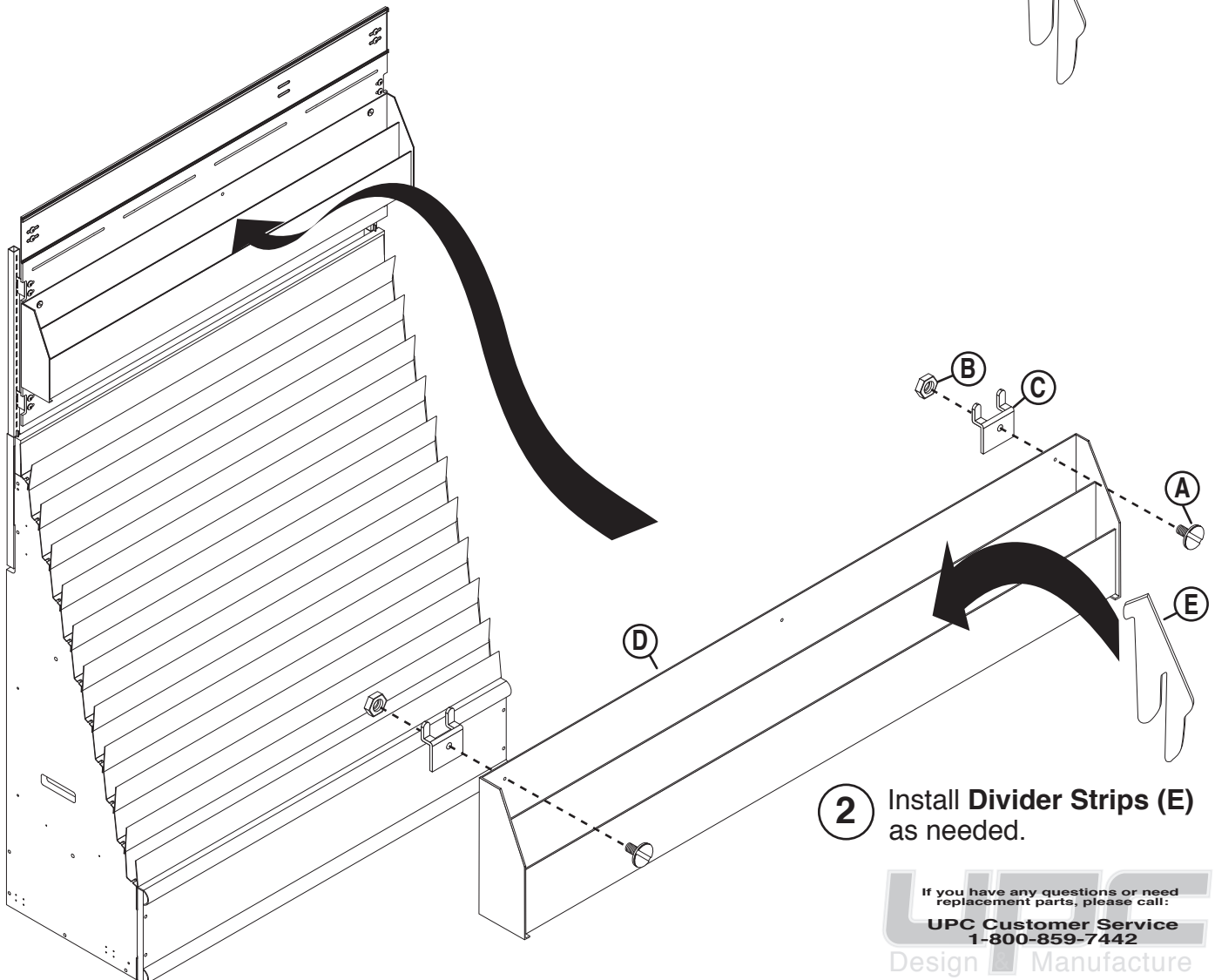
## PARTS LIST

PART	Quantity	Reference
Rack	1	D
Divider Strips	8	E



## ASSEMBLY

- Attach (2) **Mounting Brackets (C)** to **Rack (D)** using (2) **Screw Posts (A)** and (2) **Nuts (B)**.  
Mount Rack Assembly to Display.



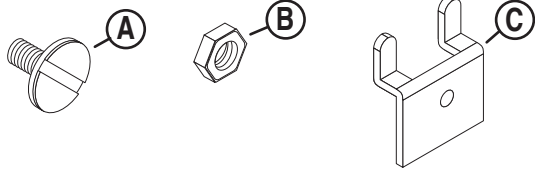
- Install **Divider Strips (E)** as needed.

**UPC 8072**

**Two Tier Card Rack for 4' Above Fixture Extender**

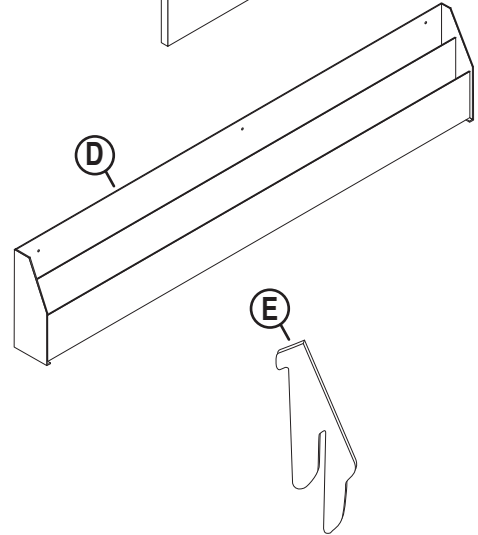
## PARTS BAG

PART	Quantity	Reference
Screw Post	3 (1 extra)	A
Nut	3 (1 extra)	B
Mounting Bracket	3 (1 extra)	C



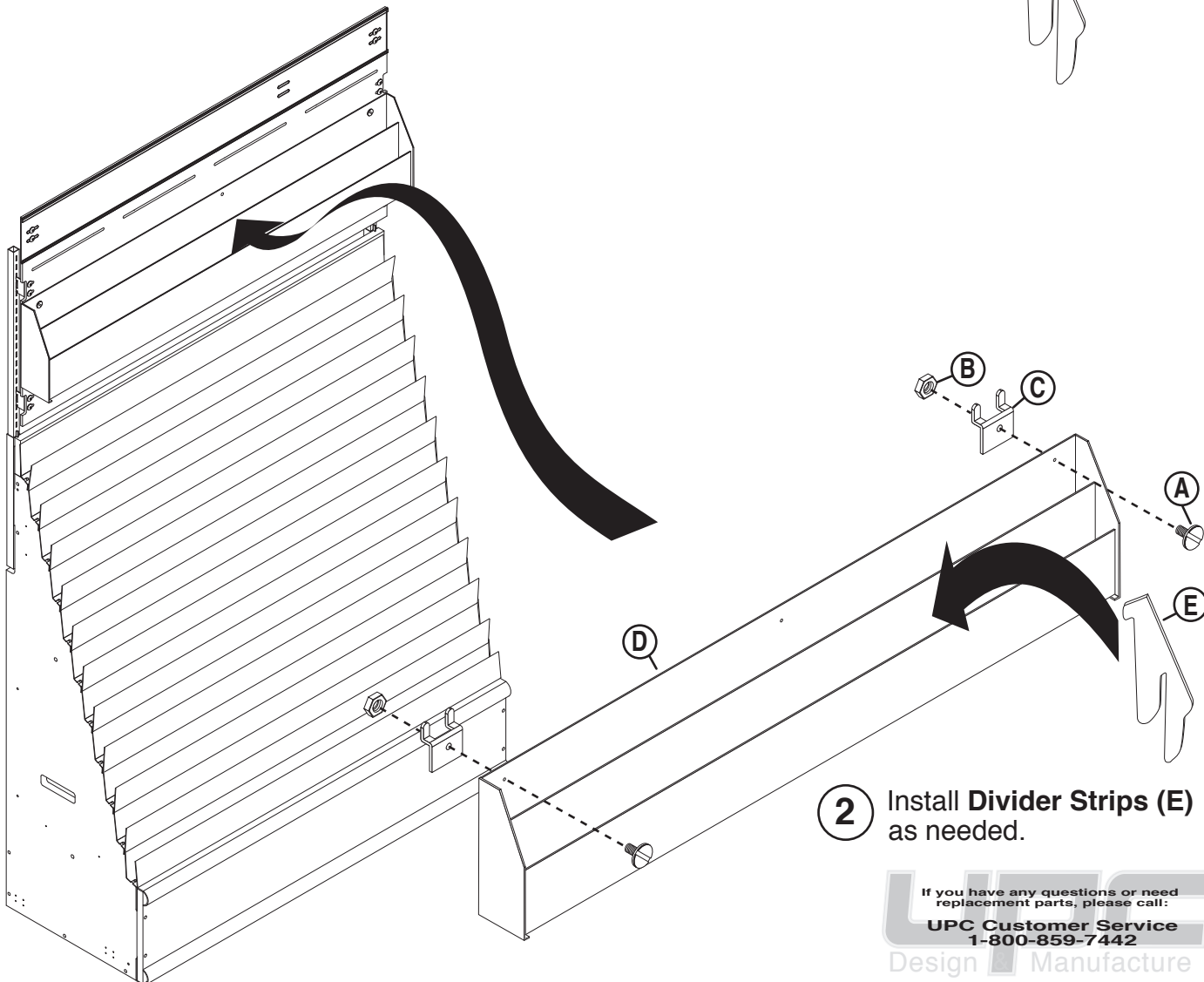
## PARTS LIST

PART	Quantity	Reference
Rack	1	D
Divider Strips	8	E



## ASSEMBLY

- Attach (2) **Mounting Brackets (C)** to **Rack (D)** using (2) **Screw Posts (A)** and (2) **Nuts (B)**.  
Mount Rack Assembly to Display.



- Install **Divider Strips (E)** as needed.