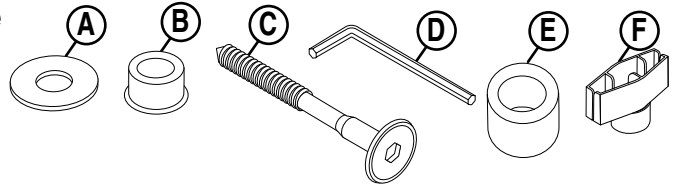


ASSEMBLY INSTRUCTIONS

Thank you for your purchase of one of many fine products designed & manufactured by UPC. We have made every effort to make your assembly easy, clear & hassle free. For more information or if you have any questions contact customer service at 1-800-859-7442.

PARTS BAG UPC 80396 A2 / Letterpress Daisy Spinner

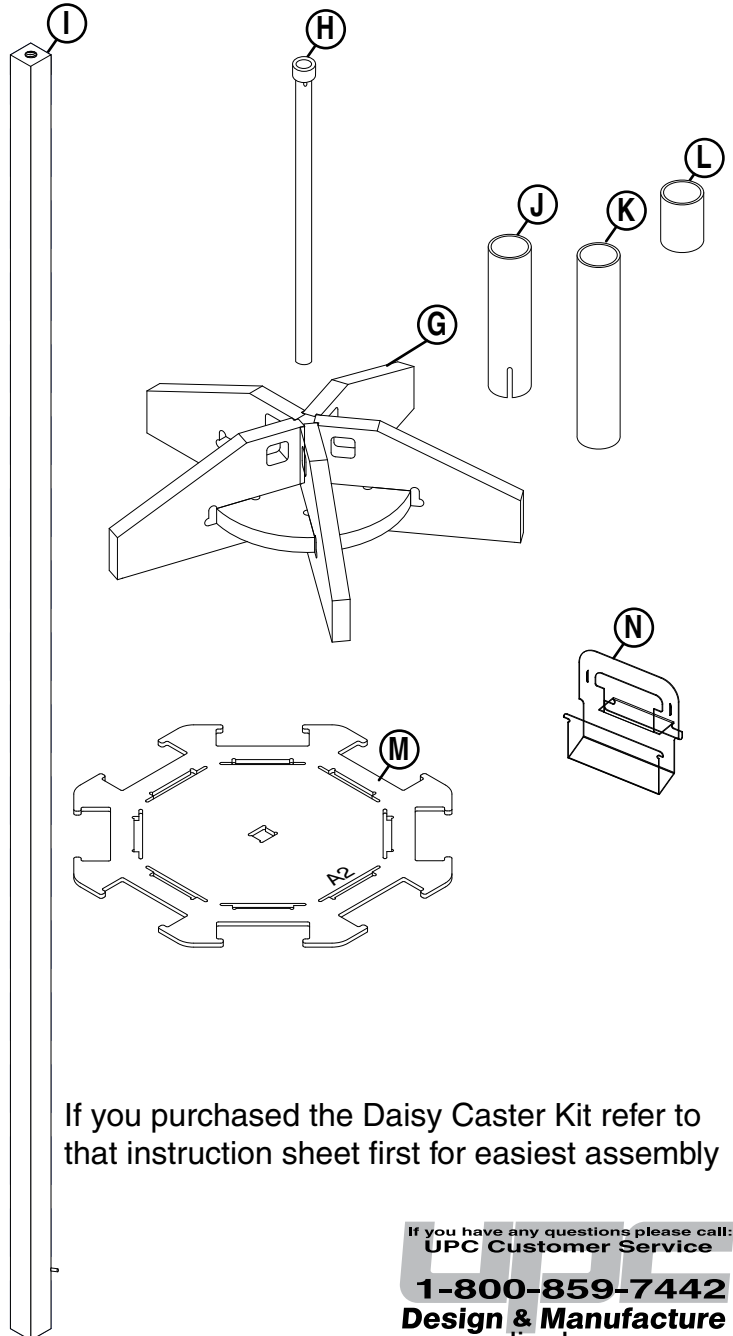
PART	Quantity	Reference
Washer	2	A
Flanged Spacer	1	B
Connector Bolt	1	C
Hex Wrench	1	D
Spacer	1	E
Sign Clip	1	F



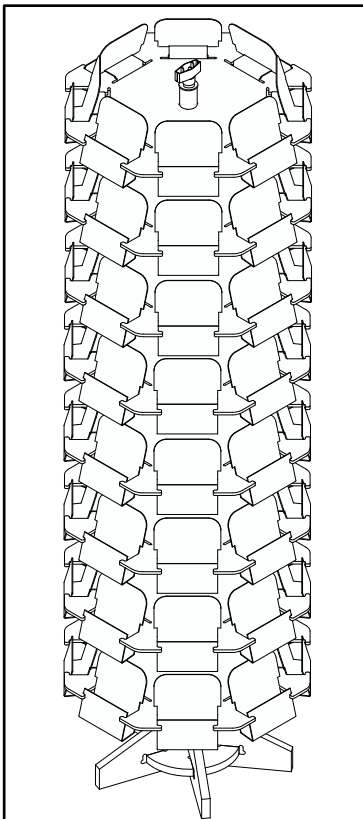
TOOLS REQUIRED: Flathead Screwdriver

PARTS LIST

PART	Quantity	Reference
Base	1	G
Pole	1	H
Square Pole	1	I
Bottom Spacer	1	J
Middle Spacer	7	K
Top Spacer	1	L
Daisy Plate	8	M
Pocket	64	N



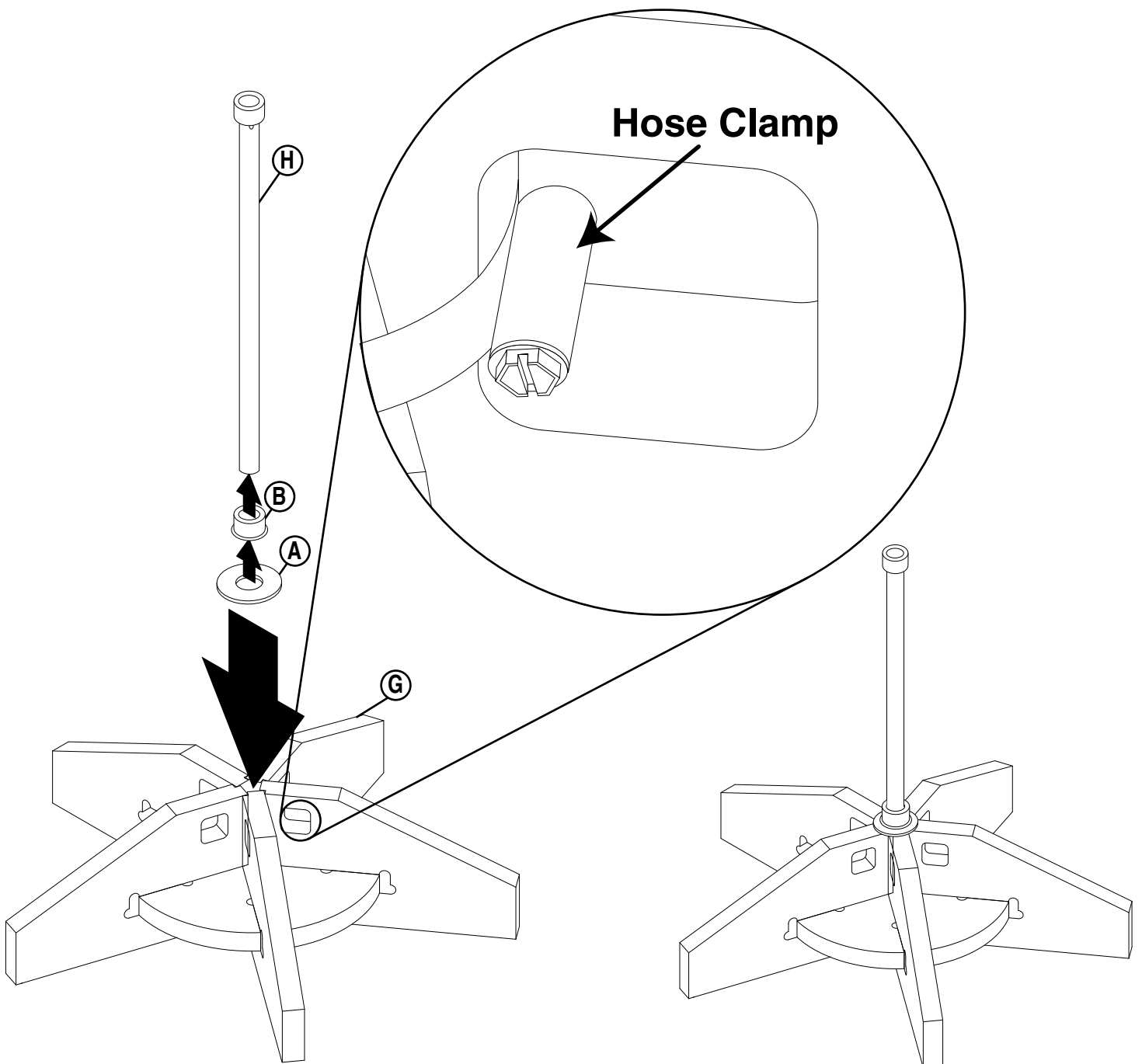
If you purchased the Daisy Caster Kit refer to that instruction sheet first for easiest assembly



Finished Display

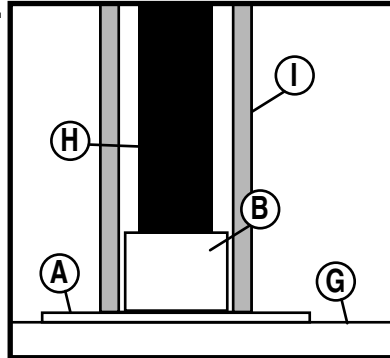
ASSEMBLY

- 1 Insert **Flanged Spacer (B)** and **Washer (A)** onto the end of **Pole (H)**. Insert **Pole Assembly** into **Base (H)** and tighten **Hose Clamp** using a Flathead Screwdriver.



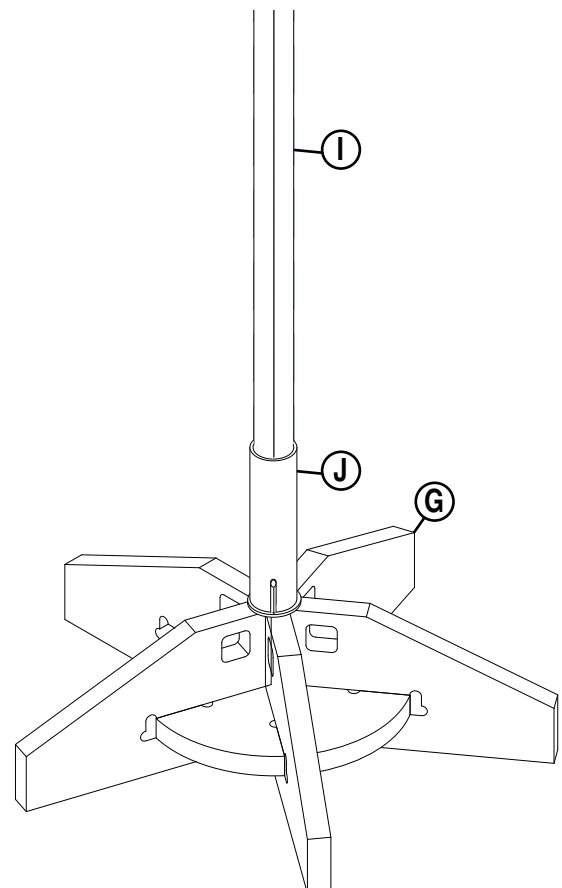
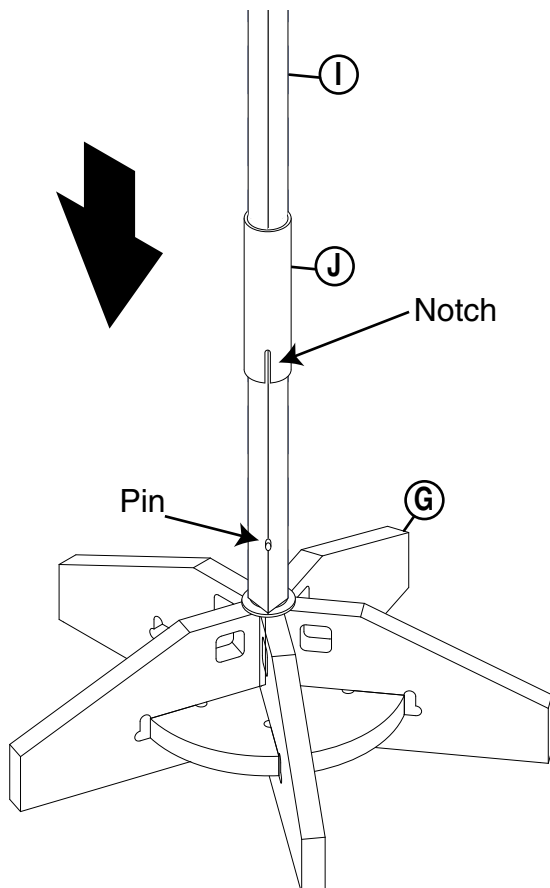
ASSEMBLY

- ② Insert the bottom of **Square Pole (I)** onto **Pole (H)**.



Note: Make sure Square Pole (I) is fully seated and engaged over Flanged Spacer.

- ③ Insert **Bottom Spacer (J)** onto **Square Pole (I)** so that the notch is lined up with the pin on bottom of **Square Pole (I)** and slide down until **Bottom Spacer (J)** rests on **Base (G)** the pin should be at the top of the notch as shown below.

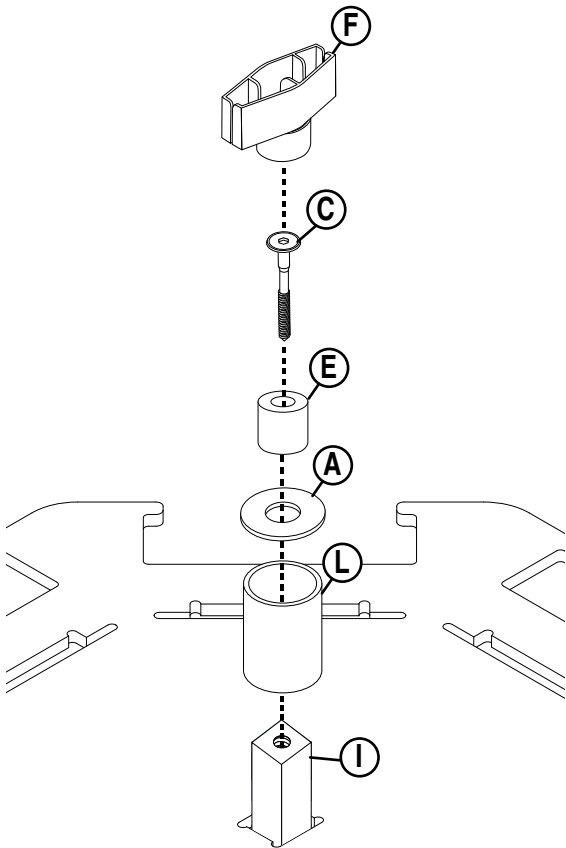


ASSEMBLY

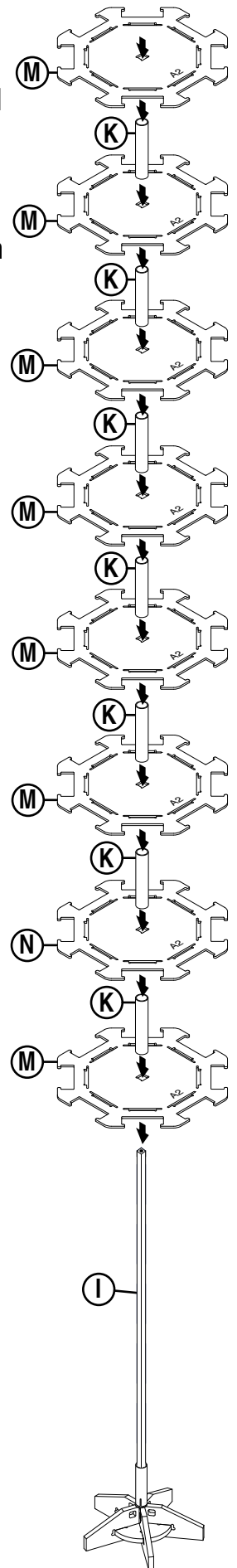
- ④ Insert (8) **Daisy Plates (M)** and (7) **Middle Spacers (K)** onto **Square Pole (I)**. Start with (1) **Daisy Plate (M)** and insert (1) **Middle Spacer (K)** between each **Daisy Plate (M)**.

NOTE: Make Sure to Line up the engraved "A2" on each Daisy Plate (N)

- ⑤ Insert **Top Spacer (L)** onto **Square Pole (I)**. Then Screw **Connector Bolt (C)** into the top of **Square Pole (I)** through **Spacer (E)** and **Washer (A)** using **Hex Wrench (D)** as shown below. Then Attach **Sign Clip (F)** as shown below.



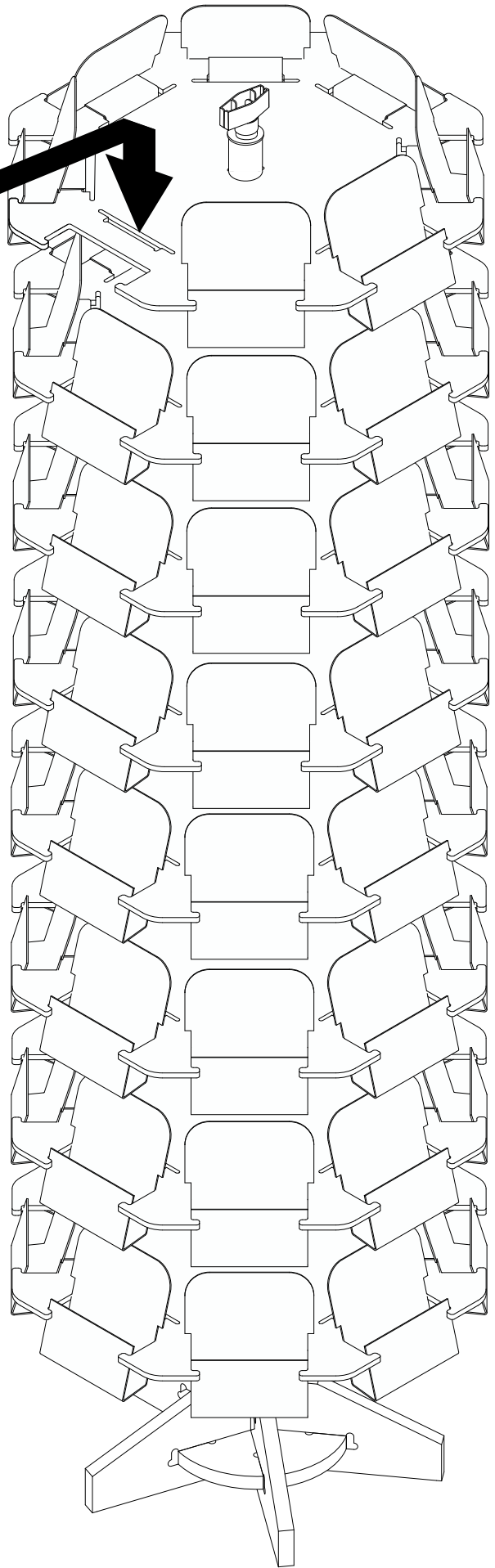
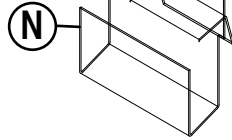
A2



If you have any questions please call:
UPC Customer Service

1-800-859-7442
Design & Manufacture
upcdisplay.com

ASSEMBLY



- 6 Attach (64) **Pockets (N)** into **Daisy Plates (M)** by inserting the back tabs into the slots on **Daisy Plates (M)** and push down.