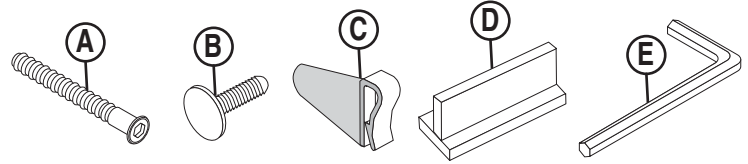


ASSEMBLY INSTRUCTIONS

Thank you for your purchase of one of many fine products designed & manufactured by UPC. We have made every effort to make your assembly easy, clear & hassle free. For more information or if you have any questions contact customer service at 1-800-859-7442.

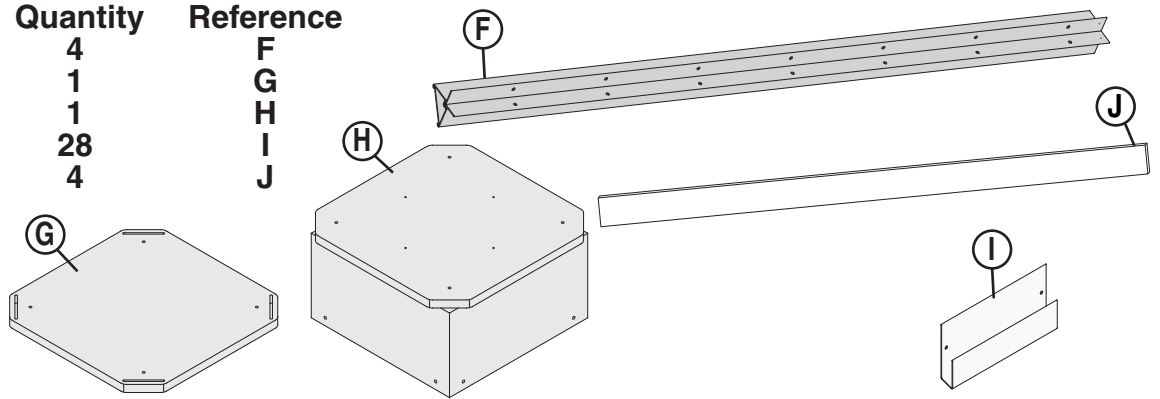
PARTS BAG UPC#56960 Backcountry U2 56 Pocket Spinner

PART	Quantity	Reference
Euro Screws	8	A
Push Pins	60 (4 extra)	B
Card Clips	28	C
Header Clip	1	D
Allen Wrench	1	E

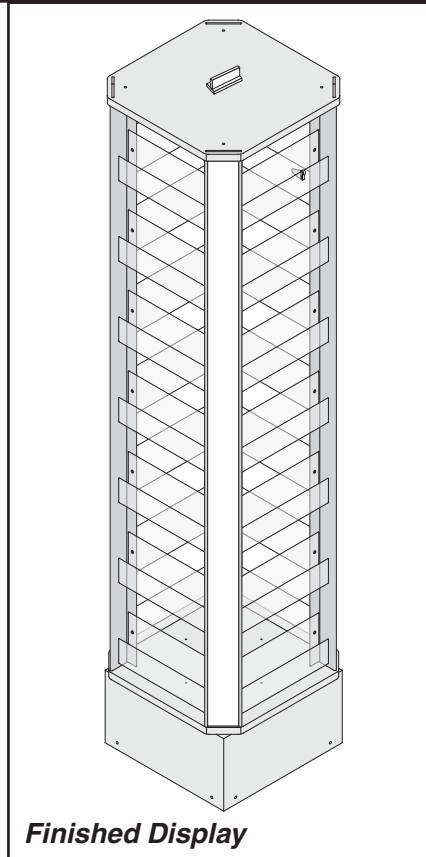


PARTS LIST

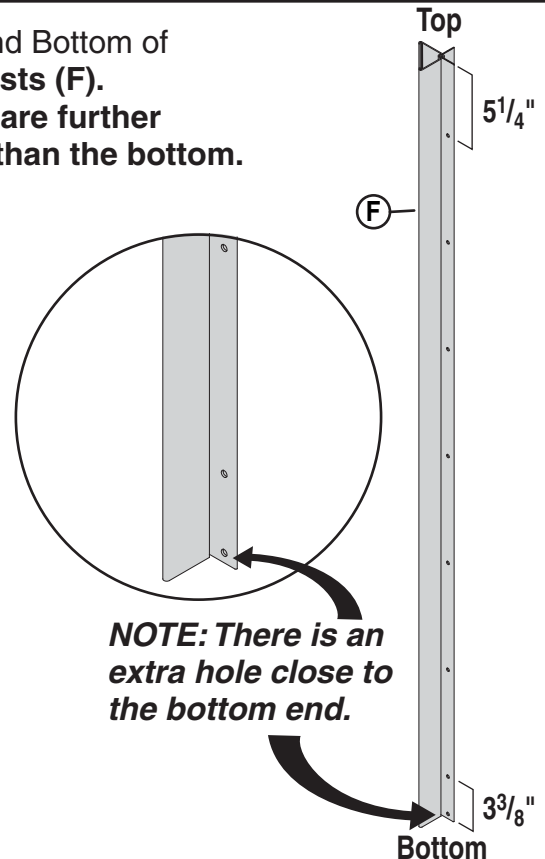
PART	Quantity	Reference
Corner Posts	4	F
Top Cap	1	G
Base	1	H
Pocket Insert	28	I
Insert	4	J



ASSEMBLY

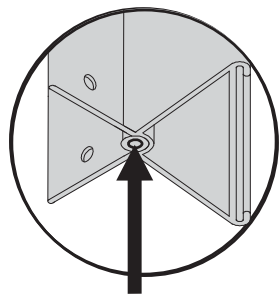
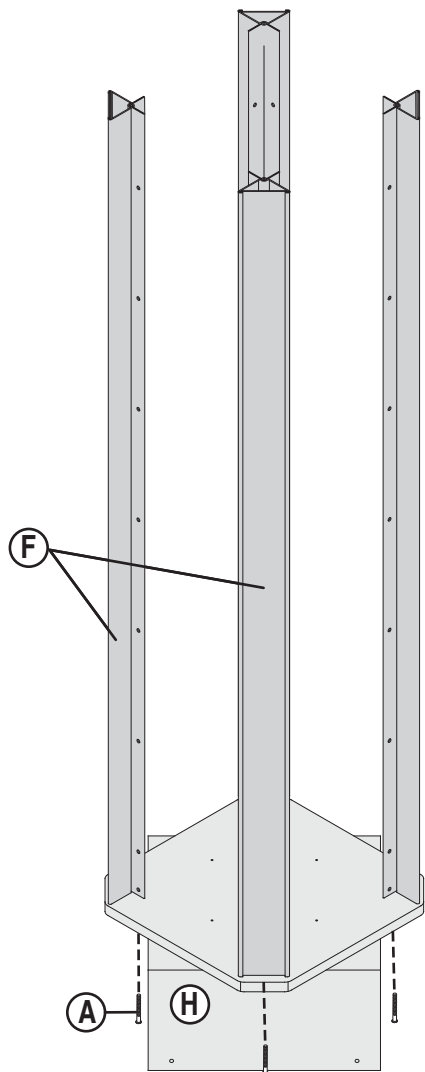


- Identify Top and Bottom of (4) Corner Posts (F).
NOTE: Holes are further from the top than the bottom.



ASSEMBLY

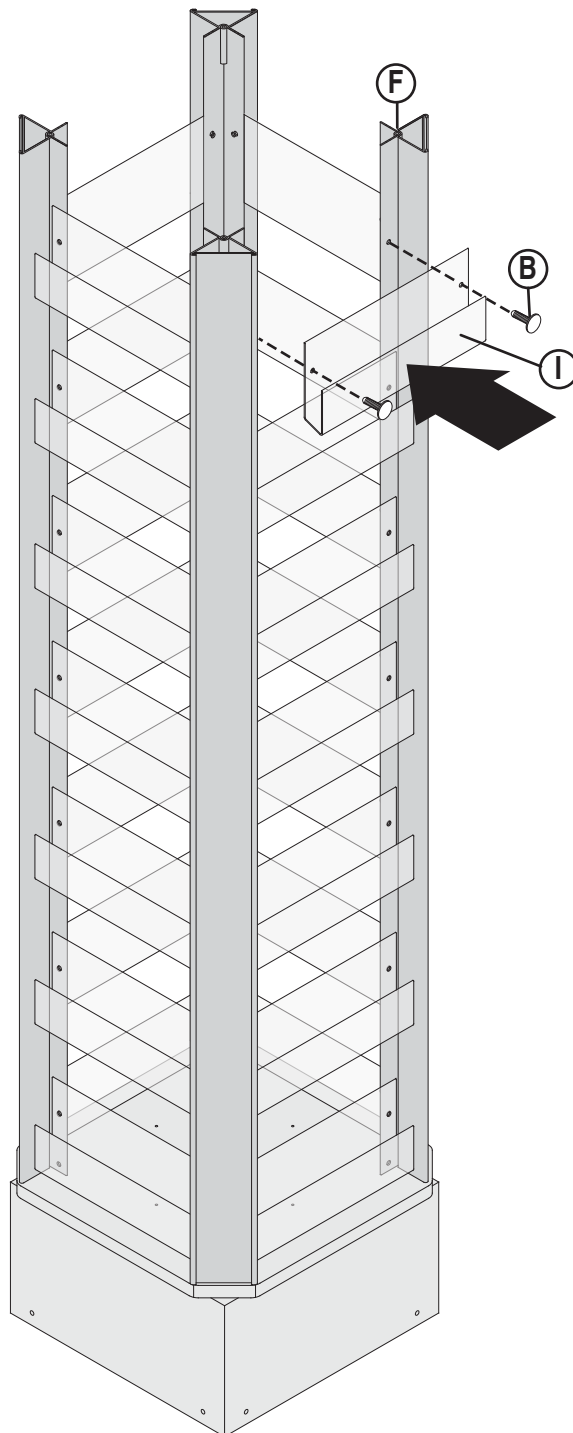
- 2** Attach (4) **Corner Posts (F)** to the **Base (H)** using (4) **Euro Screws (A)**, as shown. *Top must be up, bottom down.*



NOTE:
Make sure to
install Screw into
round hole
in Corner Posts.

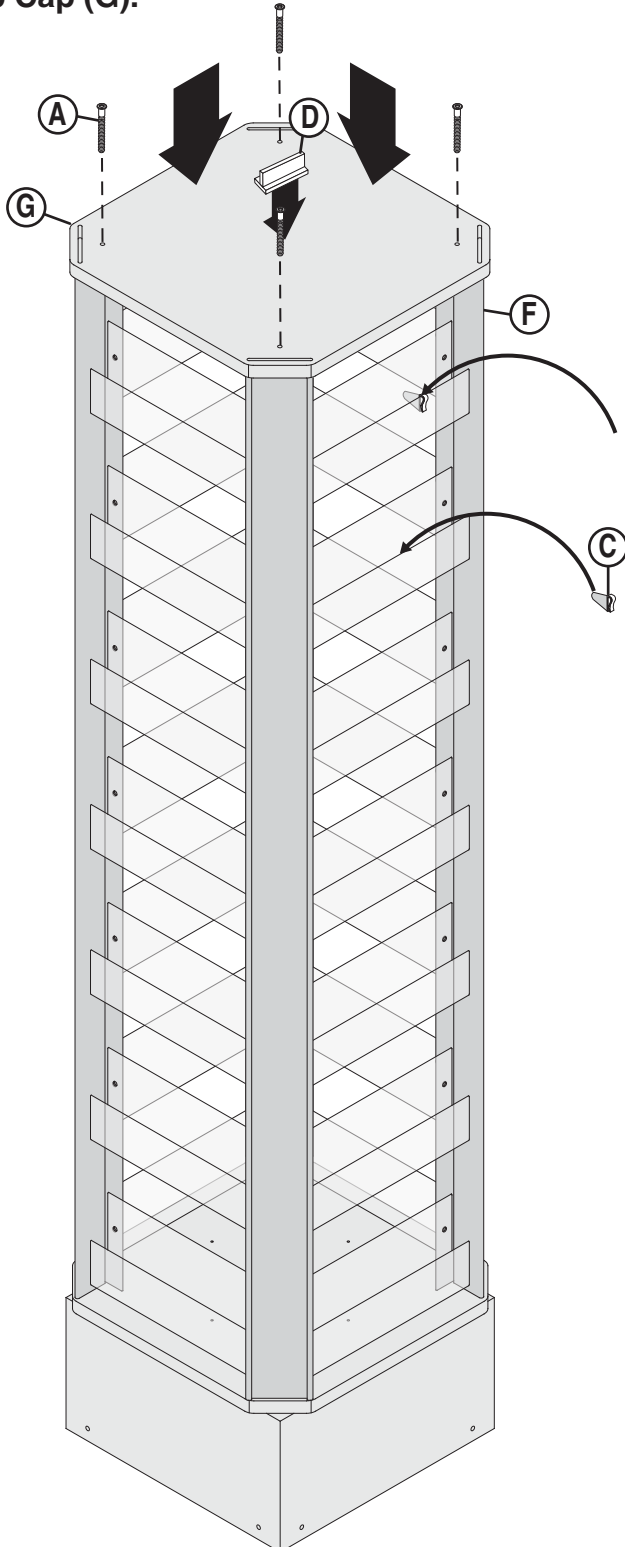
- 3** Push (2) **Push Pins (B)** into each **Pocket (I)** then attach to **Corner Posts (F)**.

Important Note:
Insert Push Pins (B) through holes in Pockets (I) BEFORE ATTACHING TO DISPLAY
Be sure Push Pins are tight - the Racks provide the rigidity of the tower.



ASSEMBLY

- 4 Attach **Top Cap (G)** onto **Corner Posts (F)** with (4) **Euro Screws (A)**. Insert **Card Clips (C)** where needed. Attach **Header Clip (D)** in center of **Top Cap (G)**.



- 5 Insert (4) **Inserts (J)** through holes of **Top Cap (G)** into channels on **Corner Posts (F)**.

