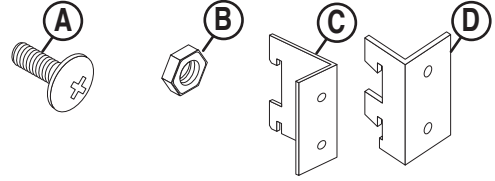


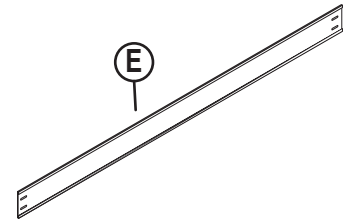
PARTS BAG **4842, 4843** **Strip Sign Holder**

PART	Quantity	Reference
Screw	4	A
Hex Nut	4	B
Right Bracket	1	C
Left Bracket	1	D



PARTS LIST

PART	Quantity	Reference
Strip Sign	1	E



ASSEMBLY

1 Place the **Slotted Upright Keys** into the desired slots making sure the notches face up.

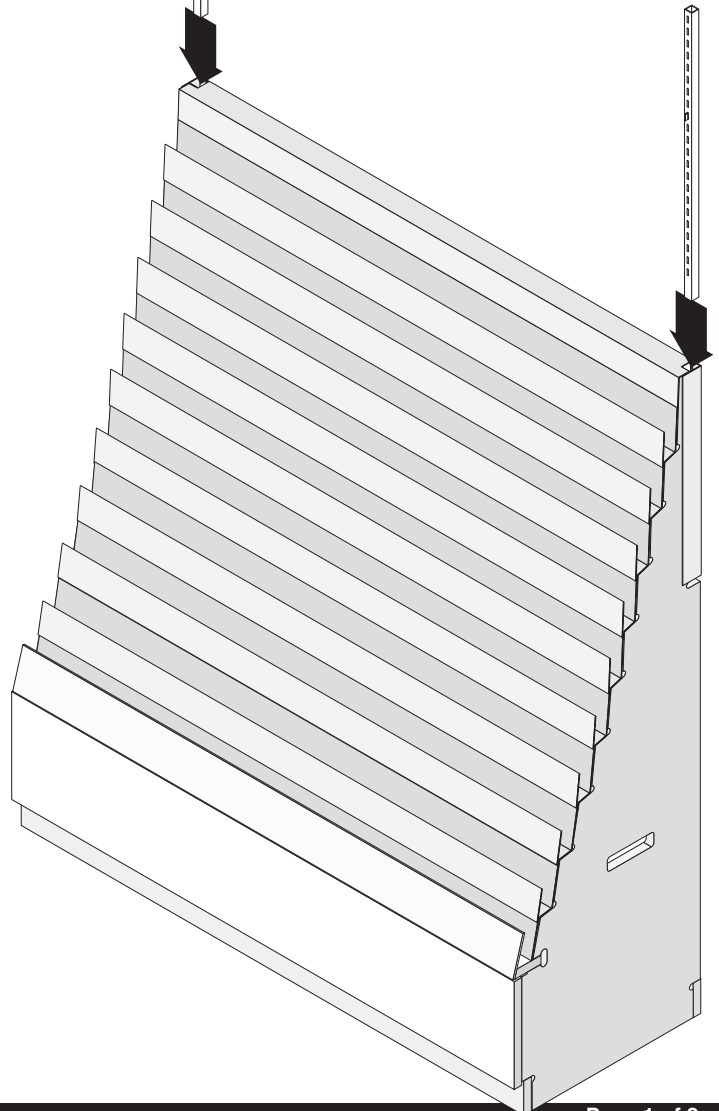


NOTCHES



2

Hold the **Slotted Upright Keys** in place and slide the **Slotted Uprights** into the fixture until they rest on the **Slotted Upright Keys**.



If you have any questions or need replacement parts, please call:
UPC Customer Service
1-800-859-7442

Design & Manufacture

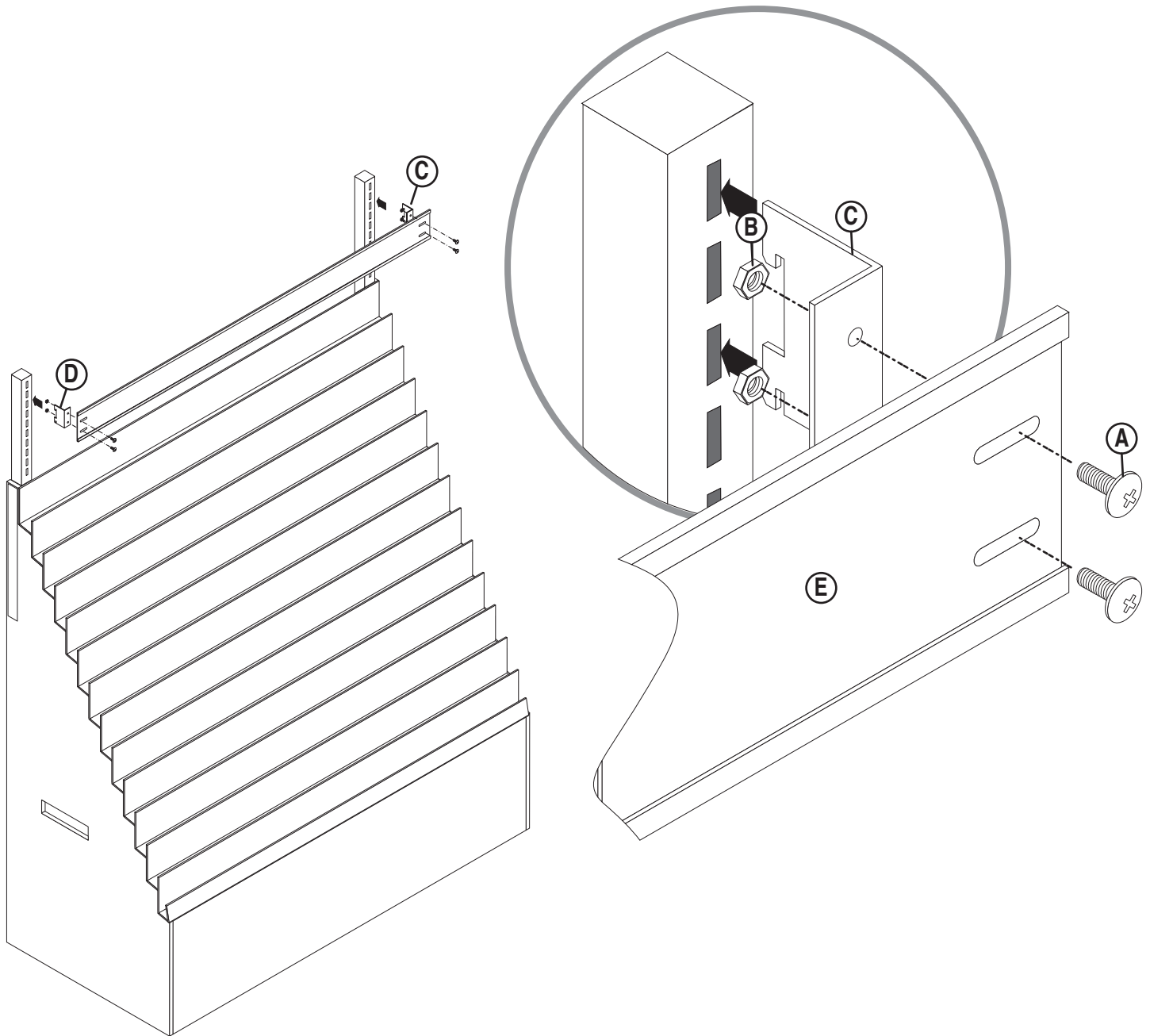
If you have any questions or need replacement parts, please call:
UPC Customer Service
1-800-859-7442

Design & Manufacture

ASSEMBLY

- 3** Mount **Left and Right Brackets (C & D)** to **Strip Sign (E)** using **Screw (A)** and **Hex Nut (B)**.

Hang **Strip Sign (E)** assembly on **Slotted Uprights** using the **Right and Left Bracket (C & D)** hooks.



If you have any questions or need replacement parts, please call:
UPC Customer Service
1-800-859-7442

Design & Manufacture