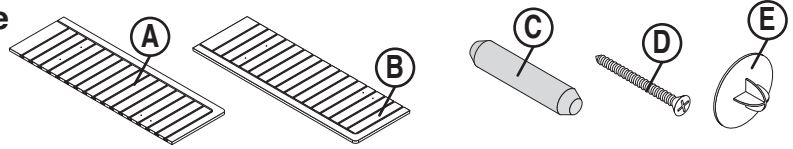


UPC#3740

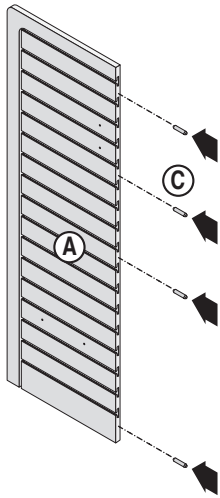
SLATWALL END CAP INSTALLATION

PART	Quantity	Reference
Left End Cap	1	A
Right End Cap	1	B
Dowels	4	C
Screws	8	D
Screw Caps	8	E



TOOLS REQUIRED: #2 Phillips Screwdriver

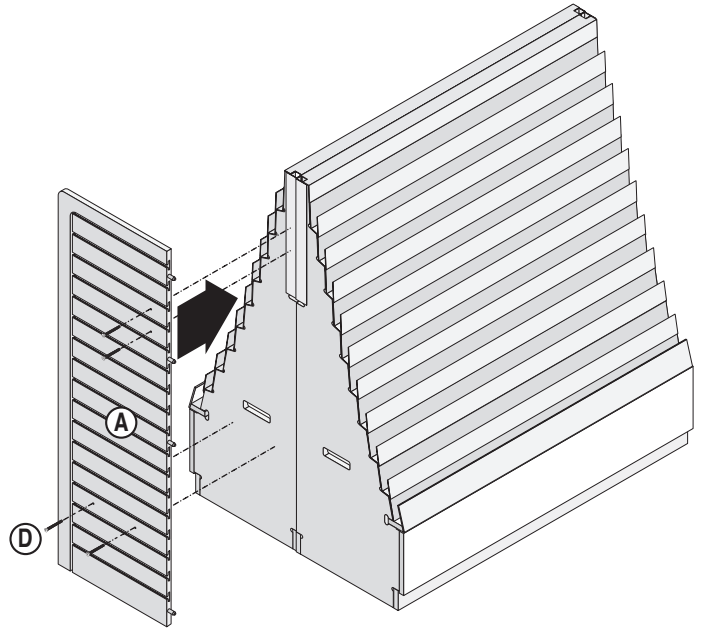
ASSEMBLY



1

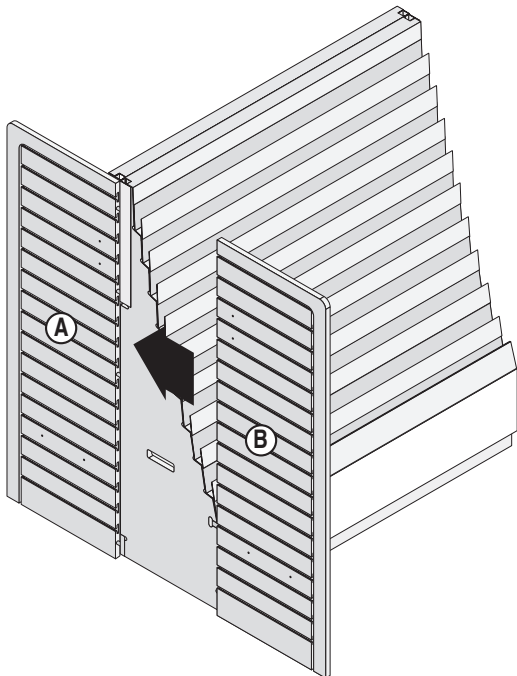
Insert 4-**Wood Dowels (C)** into the inner edge of the **Left End Cap (A)**. *It may be necessary to use a hammer.*

If you have any questions or need replacement parts, please call:
UPC Customer Service
1-800-859-7442
Design & Manufacture



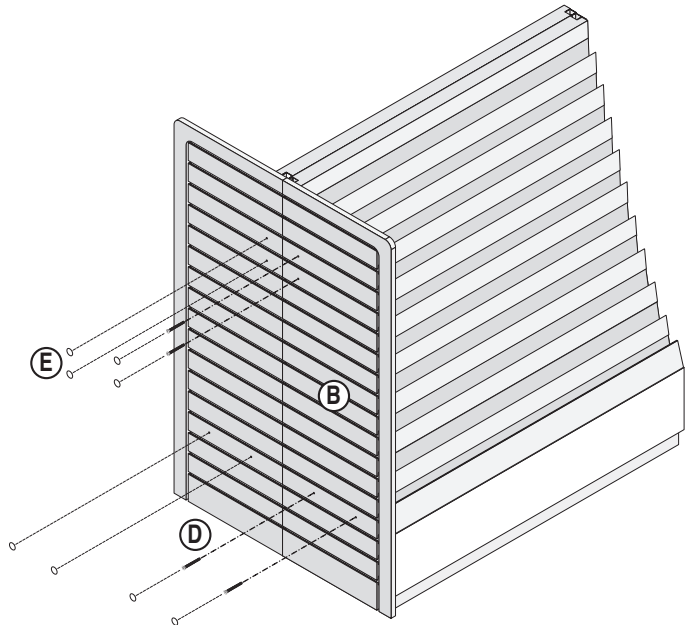
2

Attach **Left End Cap (A)** to the **Card Fixture** using 4- **Screws (D)**.



3

Align **Right End Cap (B)** with **Left End Cap (A)** and slide the two together.



4

Attach **Right End Cap (B)** to the **Card Fixture** using 4- **Screws (D)**. Attach **Screw Caps (E)** to each **Screw (D)**.