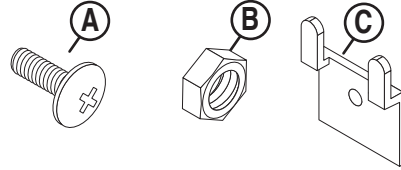


PARTS BAG **3698** **(2) 48" Napkin Tray**

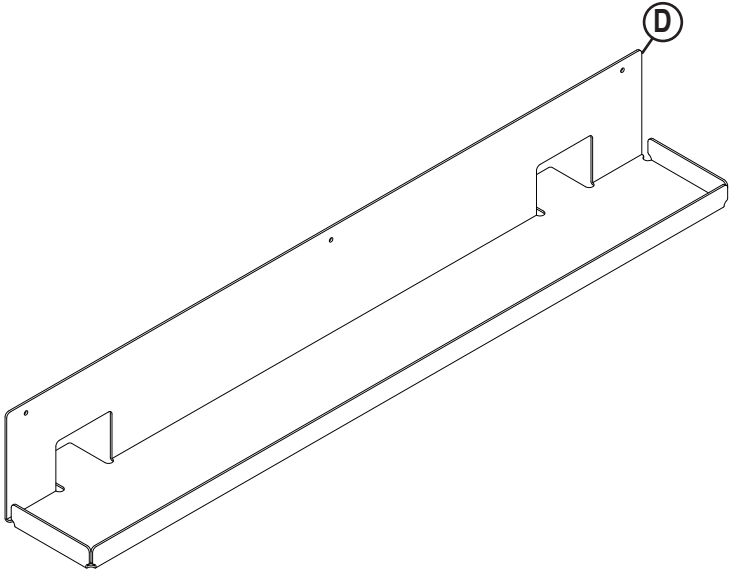
PART	Quantity	Reference
Screw	6	A
Screw Post	6	B
Slatwall Hook	6	C



TOOLS REQUIRED: Flathead Screwdriver

PARTS LIST

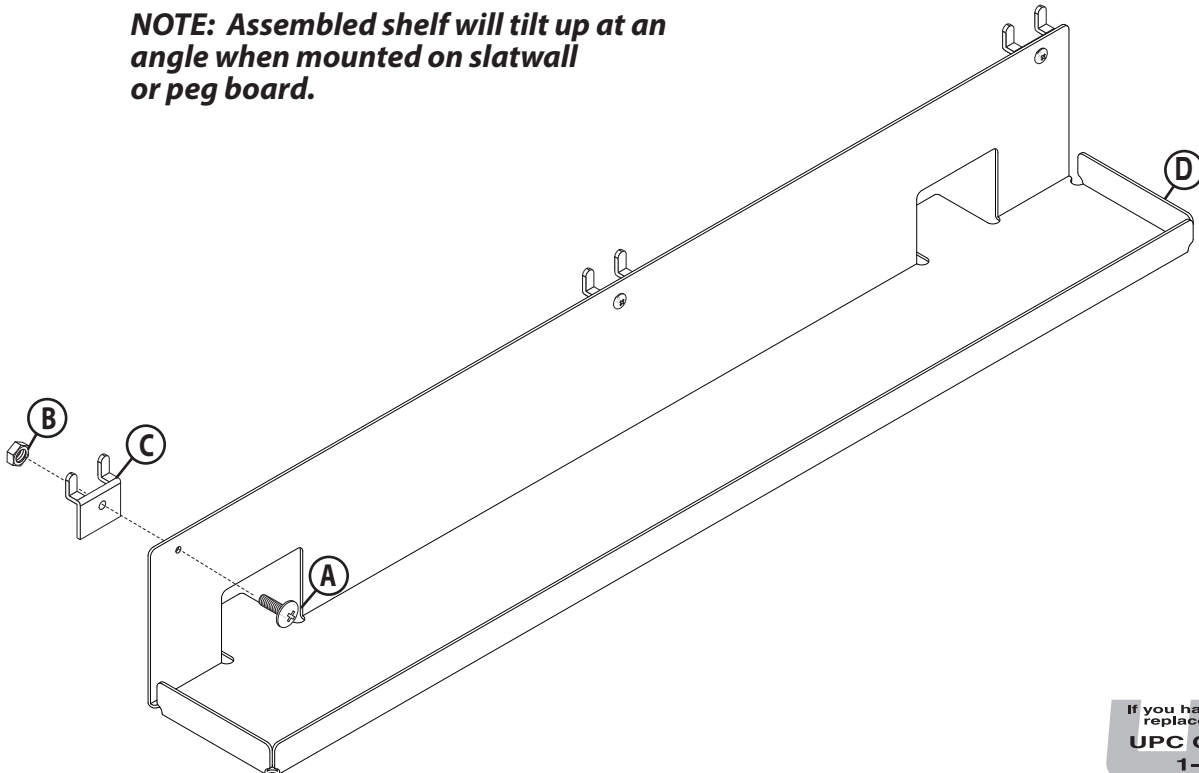
PART	Quantity	Reference
Napkin Tray	2	D



ASSEMBLY

- 1 Attach (6) **Slatwall Hooks (C)**, to (2) **Napkin Trays (D)**, using (6) **Screws (A)** and (6) **Screw Posts (B)**.

NOTE: Assembled shelf will tilt up at an angle when mounted on slatwall or peg board.



If you have any questions or need replacement parts, please call:
UPC Customer Service
 1-800-859-7442
Design & Manufacture