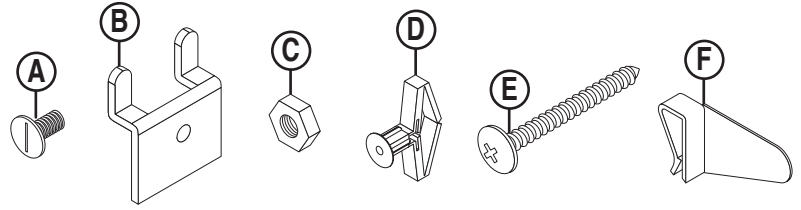


# ASSEMBLY INSTRUCTIONS

**PARTS BAG**      **UPC #3536**      **47-3/4" 2-Tier PETG with 2/3 Exposure (2-Per)**

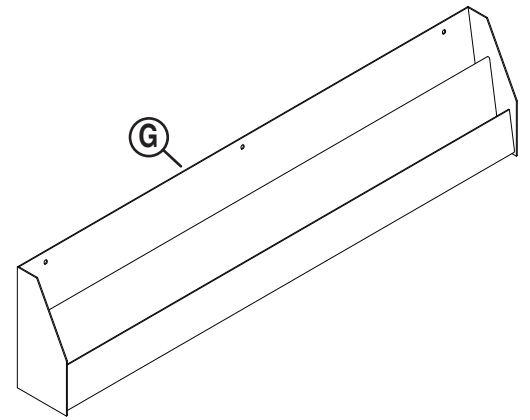
PART	Quantity	Reference
Screw Posts	6	A
Slatwall Adapters	6	B
Hex Nuts	6	C
Wall Toggles	6	D
Phillips Head Screws	6	E
Card Clips	32	F



**TOOLS REQUIRED: Flathead Screwdriver (Slatwall)**  
**Drill with 3/8" Drywall Bit & Phillips Screwdriver (Drywall)**

## PARTS LIST

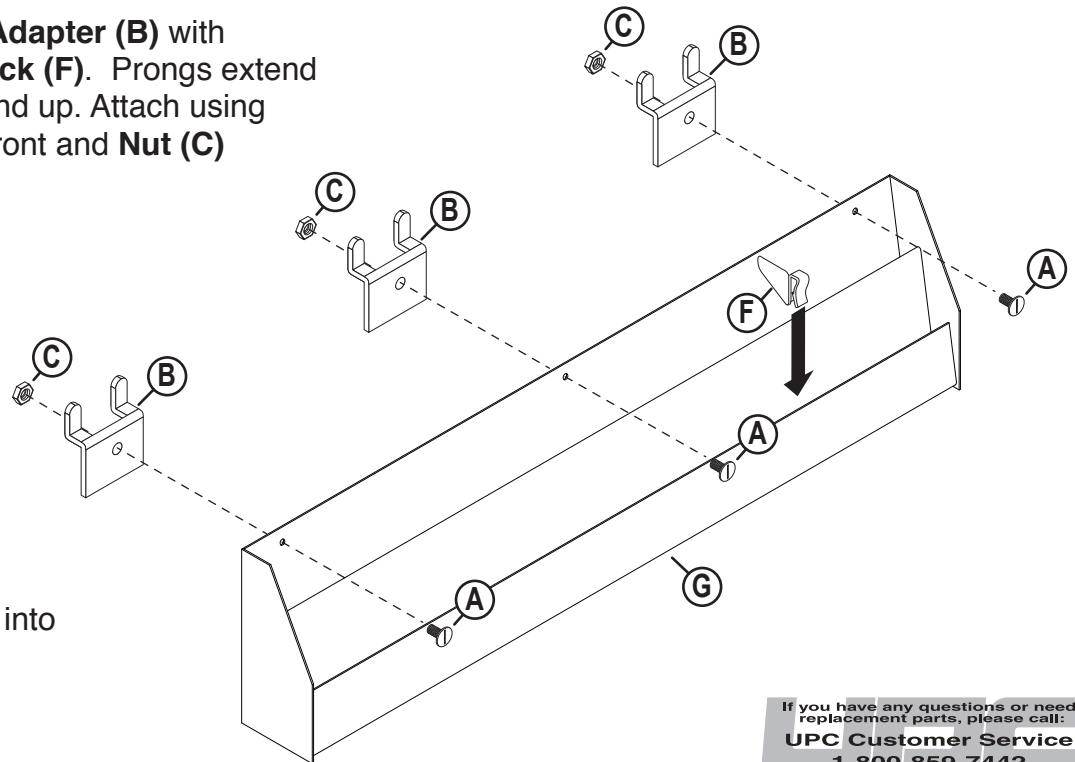
PART	Quantity	Reference
Rack	2	G



## Slatwall Assembly

**NOTE: Assemble for EITHER Slatwall or Drywall, not both.**

- Align hole in **Slatwall Adapter (B)** with back side of hole in **Rack (F)**. Prongs extend back toward Slatwall and up. Attach using **Screw Post (A)** from front and **Nut (C)** on back.



- Insert **Card Clips (F)** into **Rack (G)**.

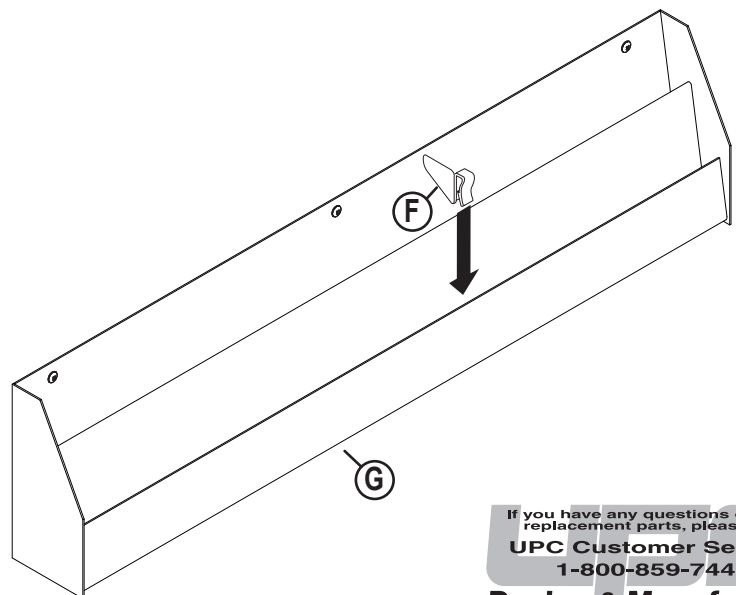
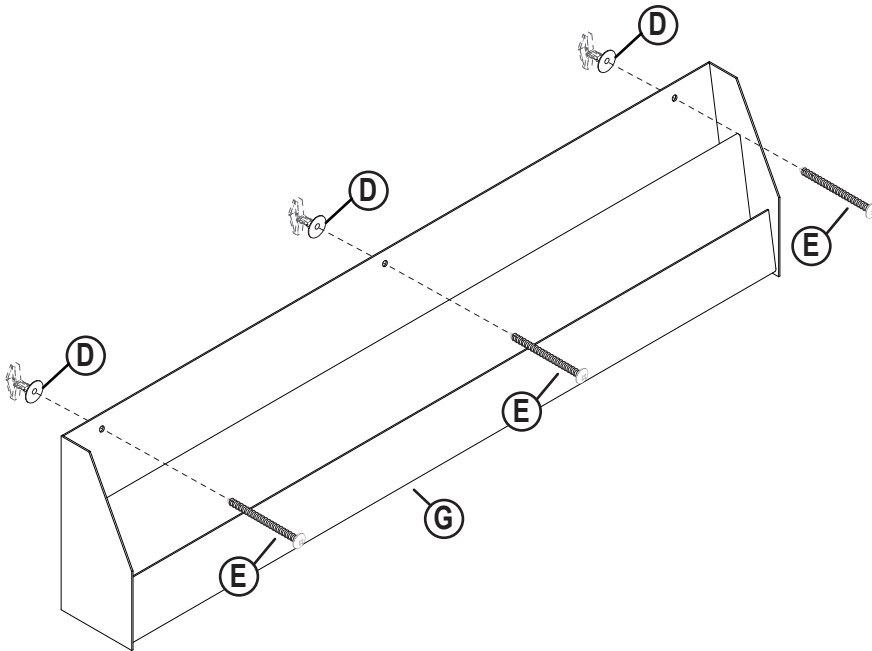
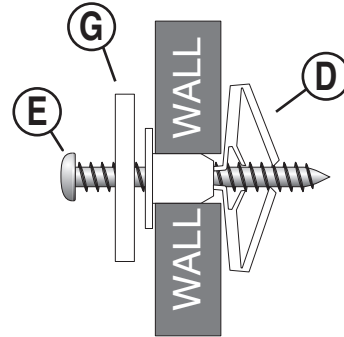
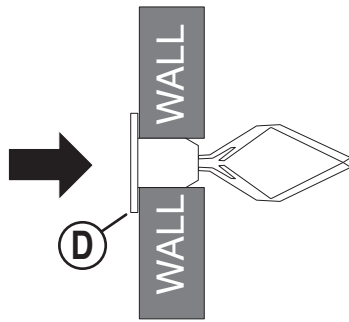
If you have any questions or need replacement parts, please call:  
**UPC Customer Service**  
1-800-859-7442  
**Design & Manufacture**

# Drywall Assembly

**NOTE:** Assemble for EITHER Slatwall or Drywall, not both.

- 1 Determine position on wall and drill 3/8" hole. Squeeze **Wall Toggler (D)** flat and insert into hole. Tap flange flush with wall.

- 2 Place **Rack (F)** against Toggler and insert **Screw (E)**, tightening until secure.



- 3 Insert **Card Clips (F)** into **Rack (G)**.

If you have any questions or need replacement parts, please call:  
**UPC Customer Service**  
1-800-859-7442

**Design & Manufacture**