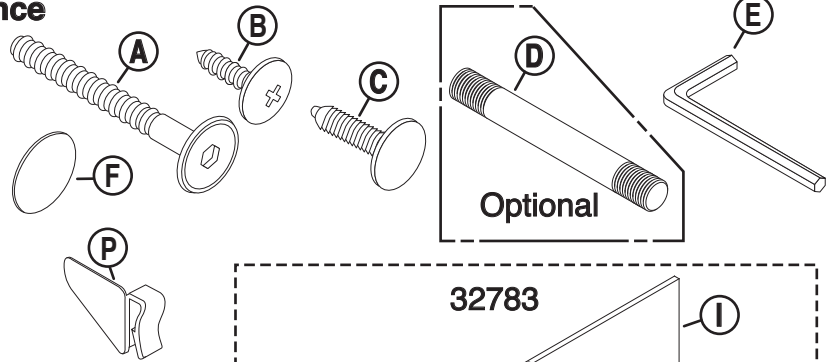


PARTS BAG UPC 32781 Thru 32789

Double Sided 13 Tier Colossal

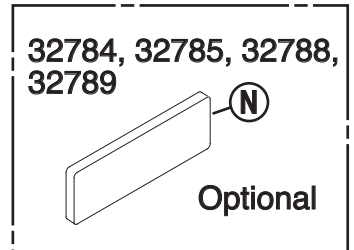
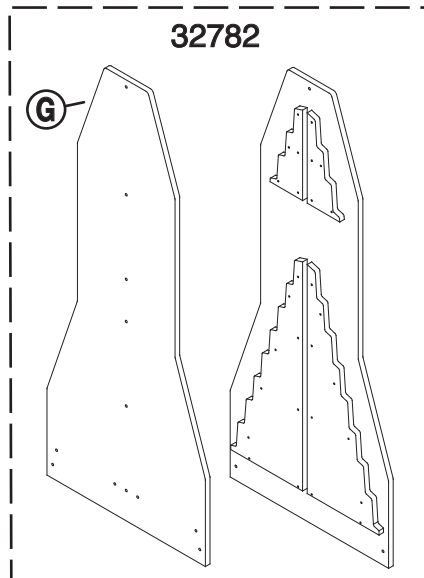
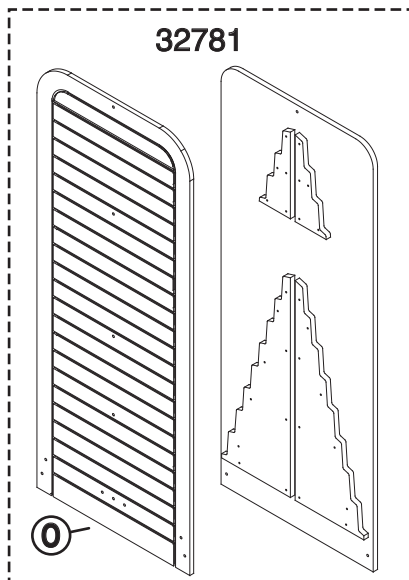
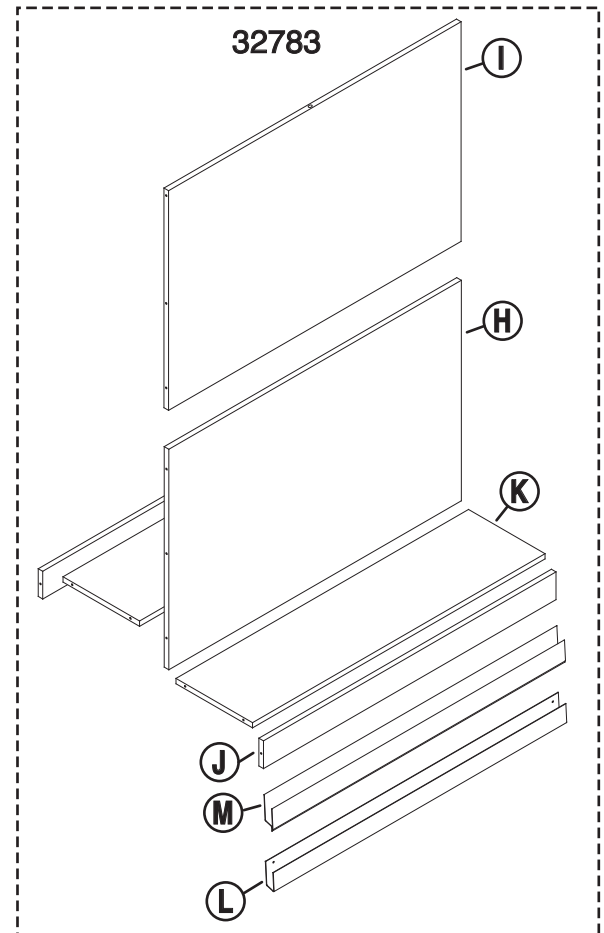
PART	Quantity	Reference
Connector Bolt	26 (2 extra)	A
Screw	8	B
Push Pin	48 (4 extra)	C
Threaded Stud	1	D
Allen Wrench	1	E
Connector Bolt Cover	26	F
Card Clip	252	P



OTHER TOOLS REQUIRED: #2 Phillips Screwdriver

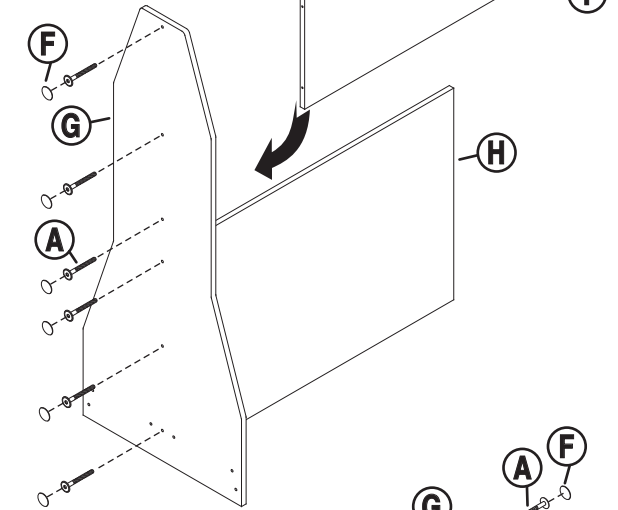
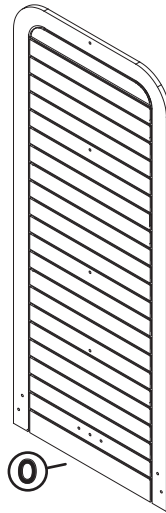
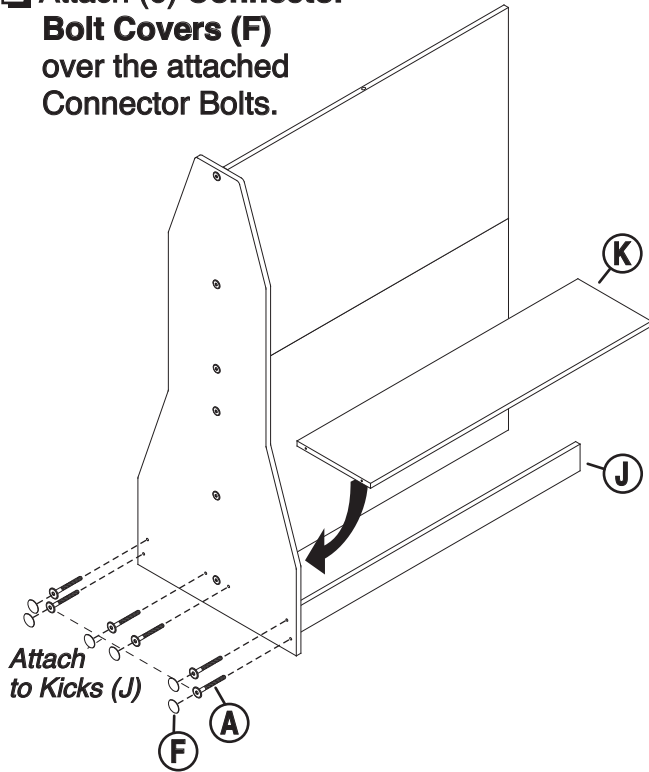
PARTS LIST

PART	Quantity	Reference
Sides (32782)	2	G
Bottom Center Panel	1	H
Top Center Panel	1	I
Kicks	2	J
Bottom Plates	2	K
Clear Racks	4	L
White Racks	22	M
Sign Holder (32784, 32785, 32788, 32789)	1	N
Slotwall Sides (32781)	2	O

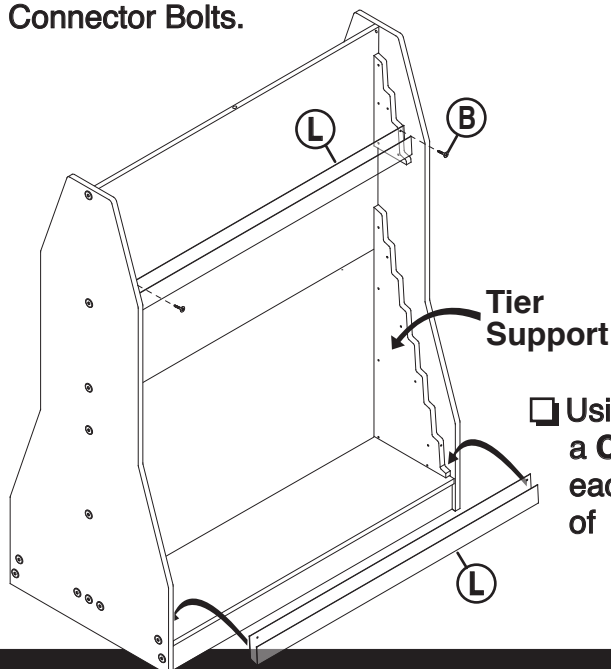
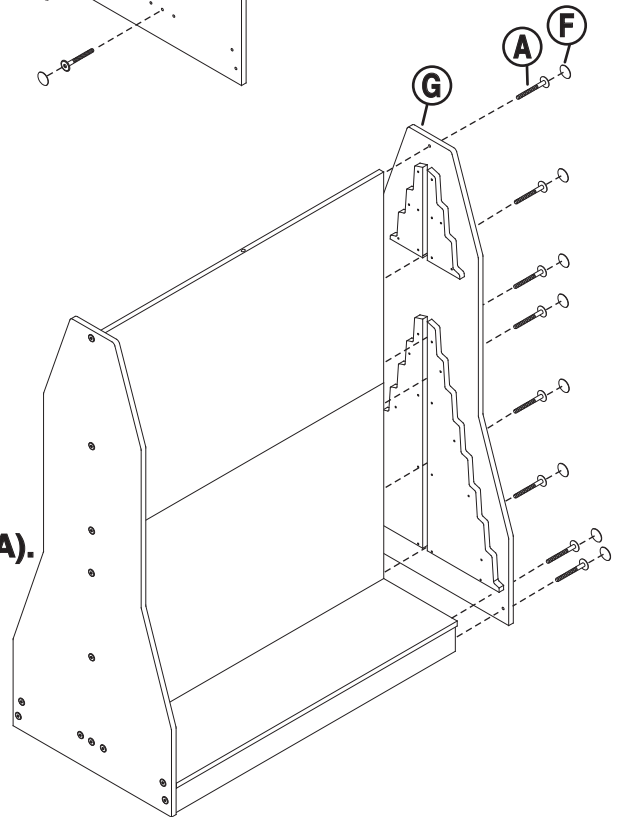


ASSEMBLY

- ❑ Attach **Bottom Center Panel (H)** (has no finished edges, end holes closer to top edge) to **Side (G-32782 or O-32781)** using (3) **Connector Bolts (A)**.
- ❑ Attach **Top Center Panel (I)** (with finished edge up) to **Side (G)** using (3) **Connector Bolts (A)**.
- ❑ Attach (6) **Connector Bolt Covers (F)** over the attached Connector Bolts.



- ❑ Attach (2) **Kicks (J)** using (2) **Connector Bolts (A)**.
- ❑ Attach (2) **Bottom Plates (K)** using (4) **Connector Bolts (A)**.
- ❑ Attach (6) **Connector Bolt Covers (F)** over the attached Connector Bolts.

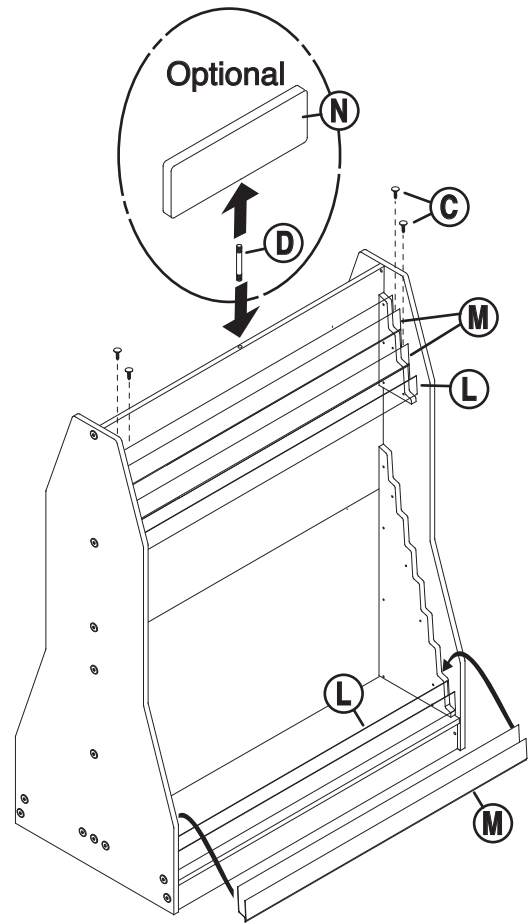
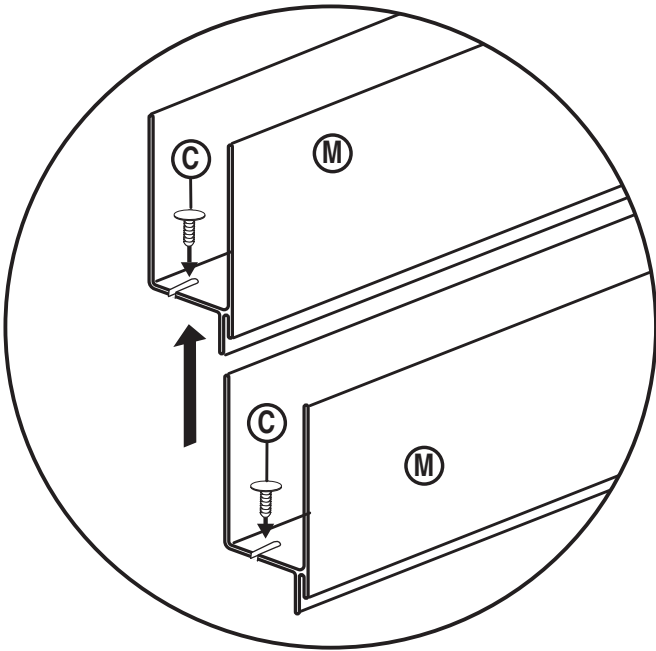


- ❑ Attach other **Side (G or O)** using (12) **Connector Bolts (A)**.
(12) **Connector Bolt Covers (F)**.

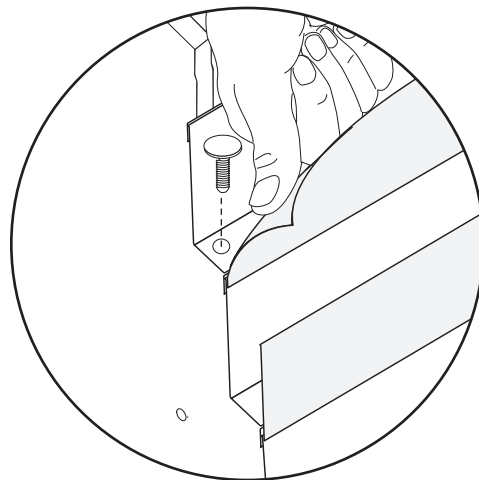
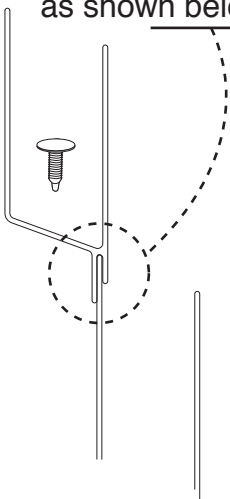
- ❑ Using (2 for each) **Screws (B)** install a **Clear Rack (L)** at the bottom of each (4) **Tier Support** on inside of **Assembly Sides**.

ASSEMBLY

- Starting at bottom of each tier, install a **White Rack (M)** seating the top of the back of the **Clear Rack (L)** in the slot in the lower front of the **White Rack (M)**. Secure the **White Rack (M)** to the Assembly with (2) **Push Pins (C)**. Proceed to install the rest of the **White Racks (M)**, working up and back, securing the back of the rack below in the slot in the rack above, then securing the **White Rack (M)** to the Assembly with (2) **Push Pins (C)**.
- Insert **Threaded Stud (D)** into **Sign Holder (N)**, then insert Assembly into hole in top of Display.



NOTE: Make sure racks lock together as shown below.



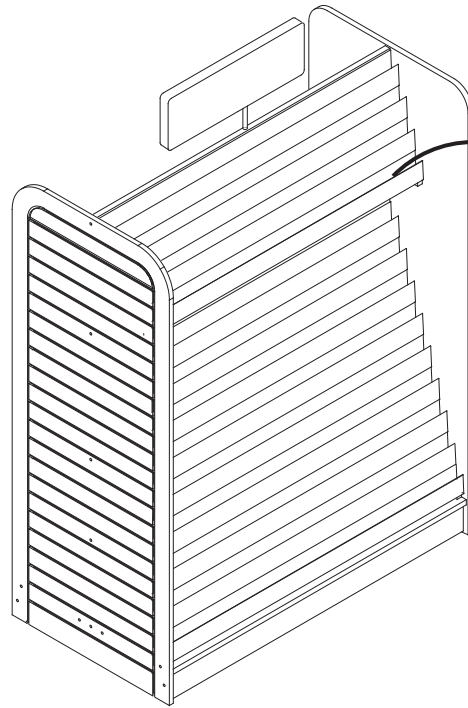
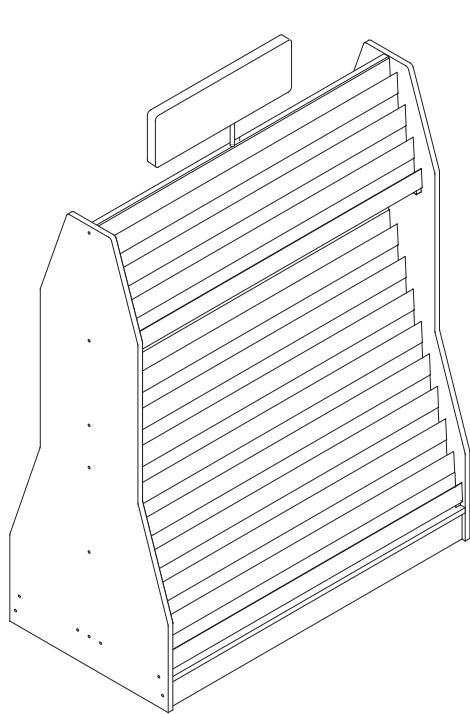
TIP: Many installers gently bend the rack open (below) and use the end of a screwdriver handle or hammer handle to press **Push-Pins (C)** firmly into place.

If you have any questions or need replacement parts, please call:

UPC Customer Service
1-800-859-7442

Design & Manufacture

ASSEMBLY



 **Insert Card Clips (P)**
where needed.