

## PARTS BAG

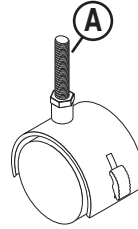
3116

UPC Leveler to Caster Replacement

**PART**  
Locking Casters

**Quantity**  
4

**Reference**  
A

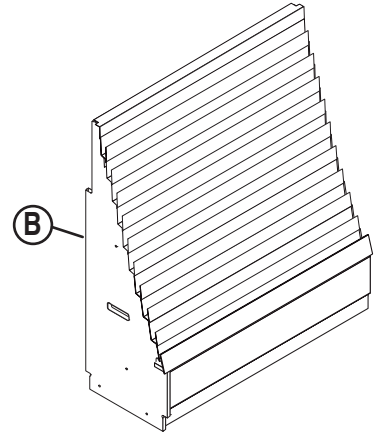


## PARTS LIST

**PART**  
Display

**Quantity**  
1

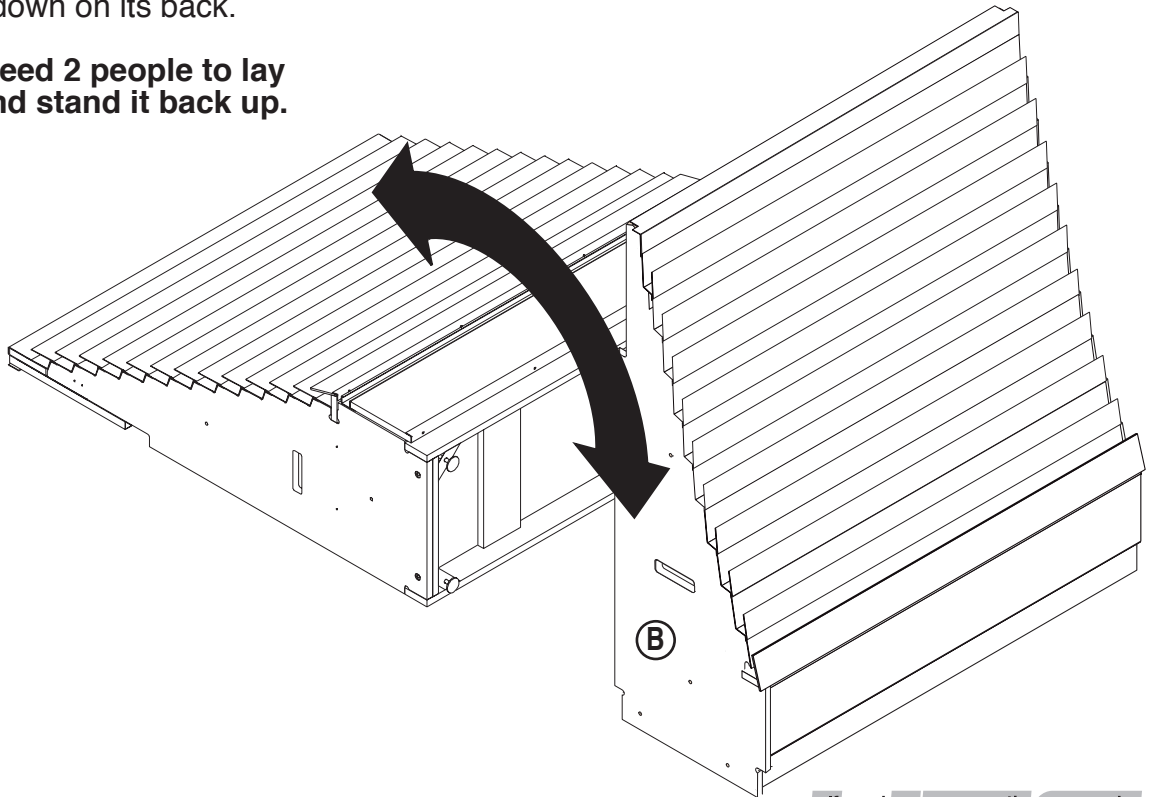
**Reference**  
B



## ASSEMBLY

**1** Lay **Display (B)** down on its back.

**Note:** You will need 2 people to lay the unit down and stand it back up.



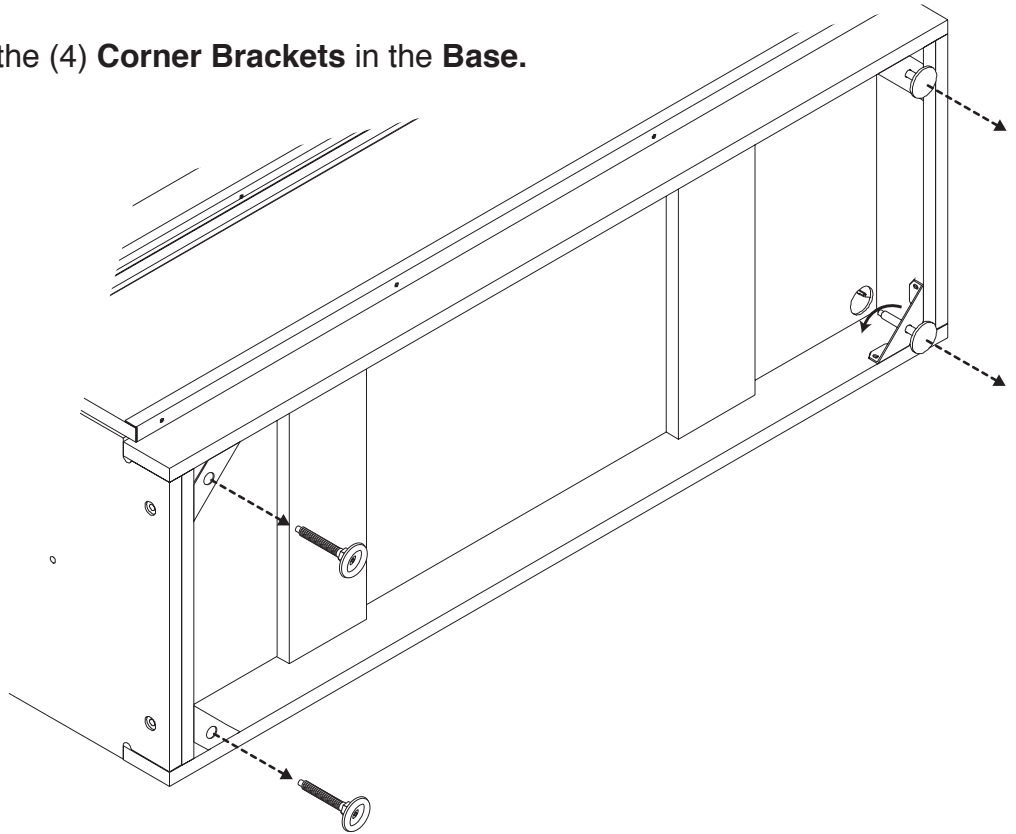
If you have any questions or need replacement parts, please call:  
**UPC Customer Service**  
1-800-859-7442  
**Design & Manufacture**

If you have any questions or need  
replacement parts, please call:  
**UPC Customer Service**  
1-800-859-7442

**Design & Manufacture**

## ASSEMBLY

- 2** Remove **Levelers** from the (4) **Corner Brackets** in the **Base**.



- 3** Screw in the (4) **Castors (A)** into the (4) **Brackets** in the **Base** of the **Display**.  
Stand unit back up.

