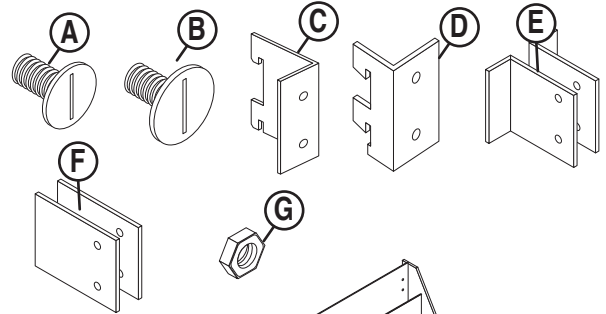


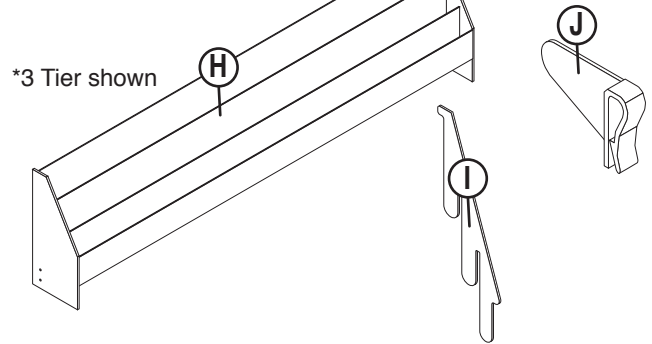
PARTS BAG 2572/2574/2576/2577 2, 3 or 4 Tier Above Fixture Rack

PART	Quantity	Reference
5/16" Screw Post	4	A
3/8" Screw Post	4	B
Right Bracket	1	C
Left Bracket	1	D
Bottom Kick Out	2	E
Side Supports	2	F
Hex Nuts	8	G



PARTS LIST

PART	Quantity	Reference
2, 3 or 4 Tier Rack	1	H
Divider Strips (or)	8	I
Card Clips	28	J

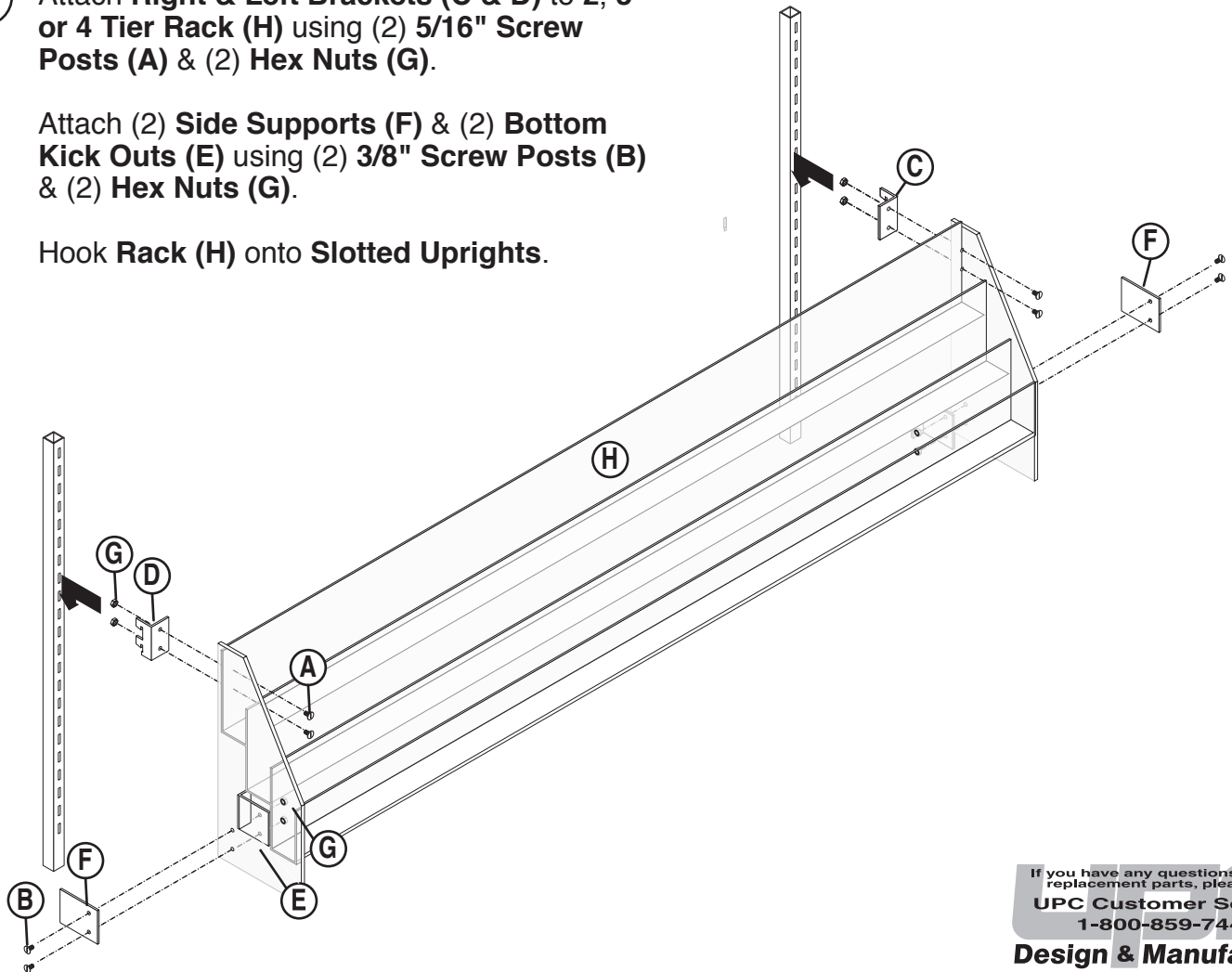


ASSEMBLY

- 1 Attach **Right & Left Brackets (C & D)** to **2, 3 or 4 Tier Rack (H)** using **(2) 5/16" Screw Posts (A)** & **(2) Hex Nuts (G)**.

Attach **(2) Side Supports (F)** & **(2) Bottom Kick Outs (E)** using **(2) 3/8" Screw Posts (B)** & **(2) Hex Nuts (G)**.

Hook **Rack (H)** onto **Slotted Uprights**.



If you have any questions or need replacement parts, please call:
UPC Customer Service
 1-800-859-7442
Design & Manufacture

If you have any questions or need
replacement parts, please call:
UPC Customer Service
1-800-859-7442

Design & Manufacture

ASSEMBLY

- ② Insert either (8) **Divider Strips (I)**,
or (28) **Card Clips (J)** into 2, 3 or
4 Tier Rack (H).

