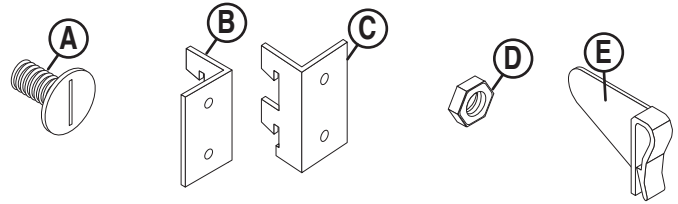


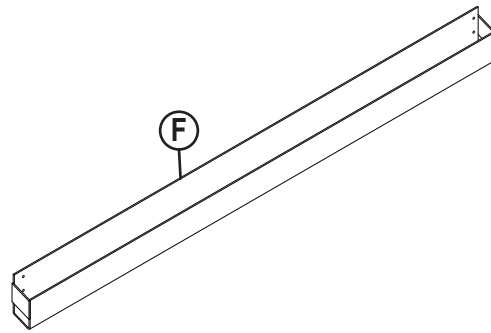
PARTS BAG 2570N 48" 1 Tier Above Fixture Rack

PART	Quantity	Reference
5/16" Screw Post	4	A
Right Bracket	1	B
Left Bracket	1	C
Hex Nuts	4	D
Card Clips	8	E



PARTS LIST

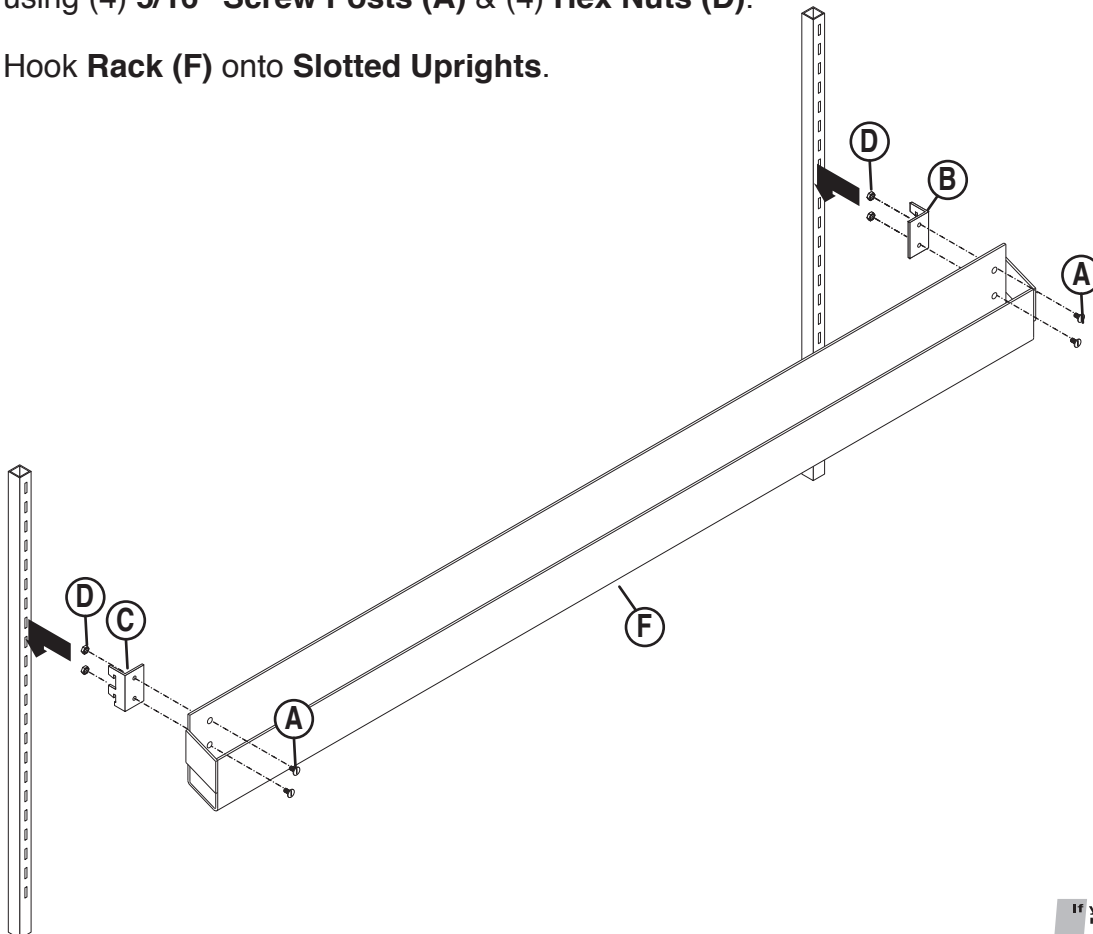
PART	Quantity	Reference
Rack	1	F



ASSEMBLY

- 1 Attach **Right & Left Brackets (B & C)** to **Rack (F)** using (4) **5/16" Screw Posts (A)** & (4) **Hex Nuts (D)**.

Hook **Rack (F)** onto **Slotted Uprights**.



If you have any questions or need replacement parts, please call:
UPC Customer Service
 1-800-859-7442
Design & Manufacture

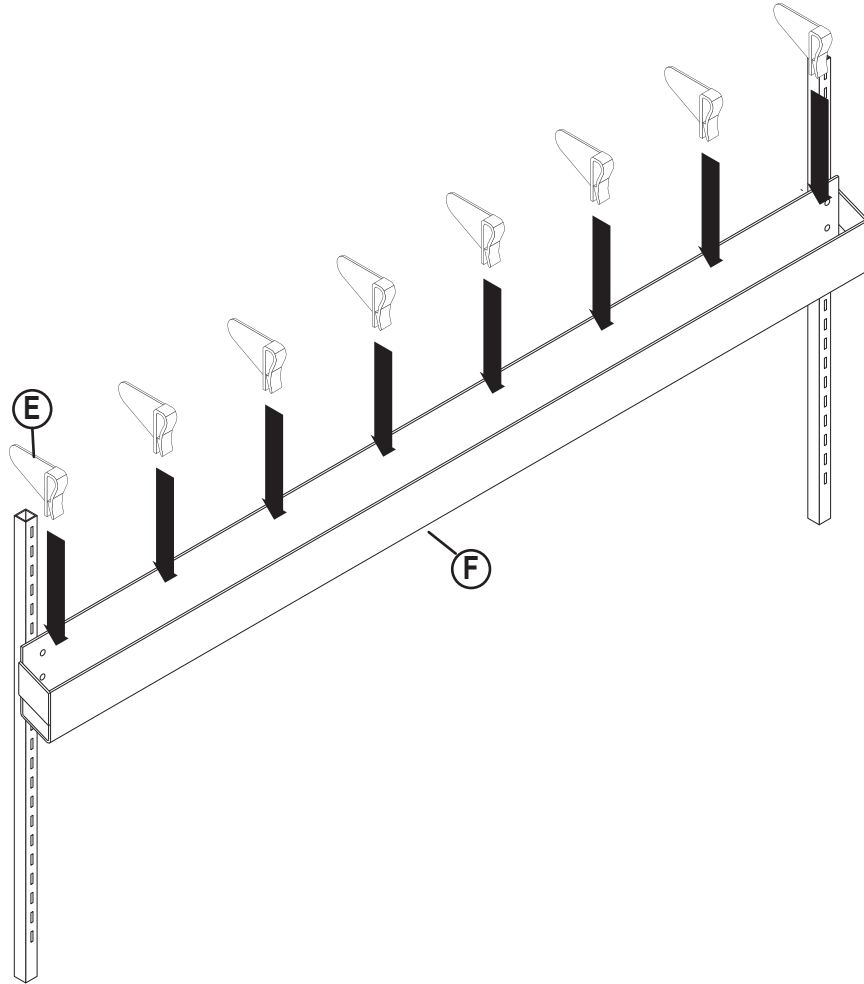
If you have any questions or need replacement parts, please call:

UPC Customer Service
1-800-859-7442

Design & Manufacture

ASSEMBLY

- 2 Insert (8) **Card Clips (E)** into **Rack (F)**.



If you have any questions or need replacement parts, please call:

UPC Customer Service
1-800-859-7442

Design & Manufacture