

PART	Quantity	Reference
Card Wings	28	A
Rubber Band	1	B



ASSEMBLY

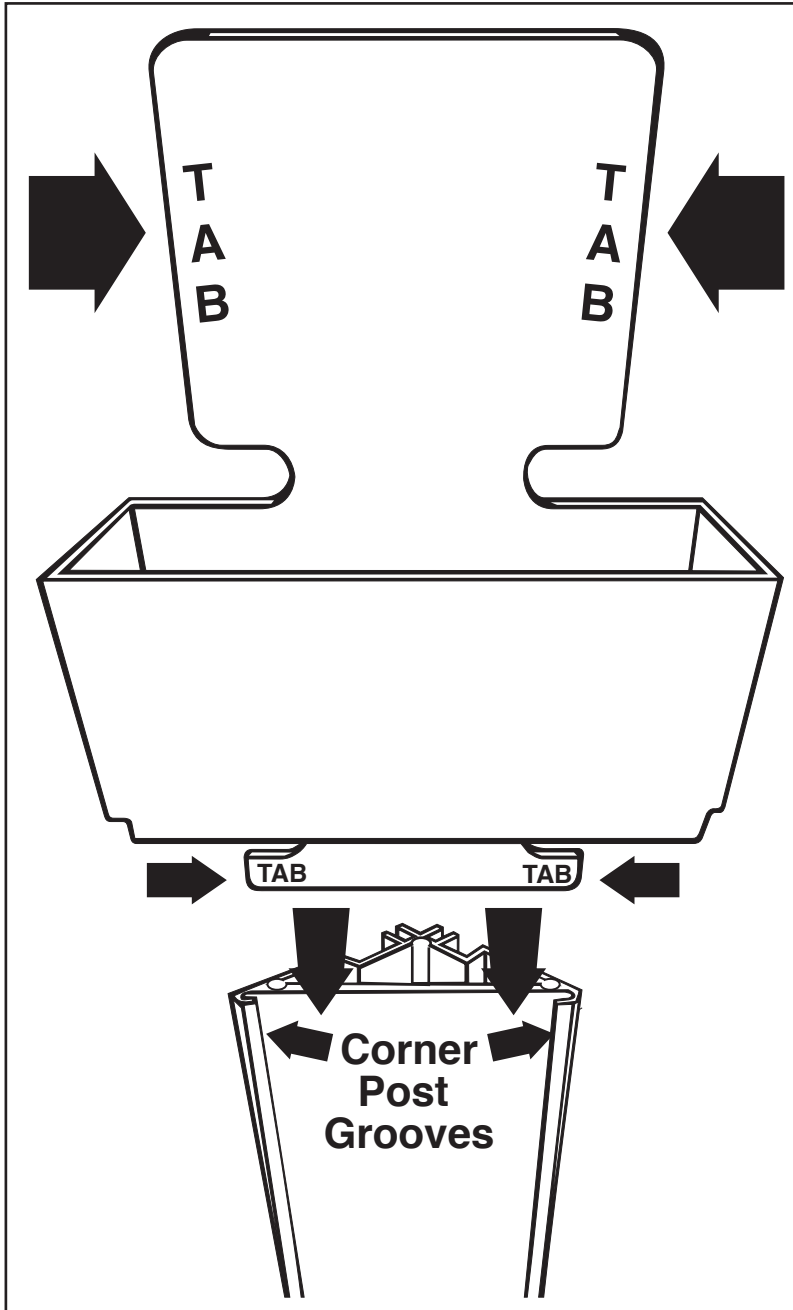


Figure 1

- 1 Stretch the enclosed **Rubber Band (B)** around the top of the four corner posts, about 2" (50mm) from the upper end of the corner posts. *Step not required if your unit has a wire helper in place.*
- 2 Remove cap by removing (8) screws holding cap onto corner posts.
- 3 Slide (7) **Card Wings (A)** down into each groove of the corner posts. Make sure that the upper and lower tabs of the **Card Wings (A)** are located into the corner post grooves. *See Figure 1.*
- 4 Make sure all previous existing racks are still located in grooves of the corner posts. Replace cap onto corner posts and re-tighten (8) screws.