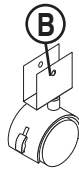
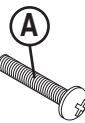


## PARTS BAG

UPC 14562

Caster Kit for Double Icon Spinner

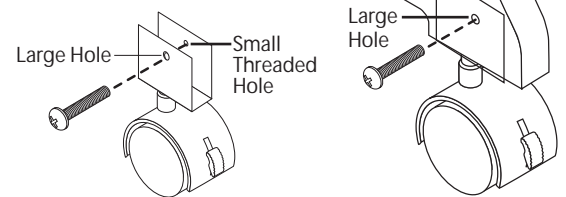
PART	QTY.	Reference
Phillips Head Screws	6	A
Locking Casters	6	B



**TOOLS REQUIRED: #2 Phillips Screwdriver**

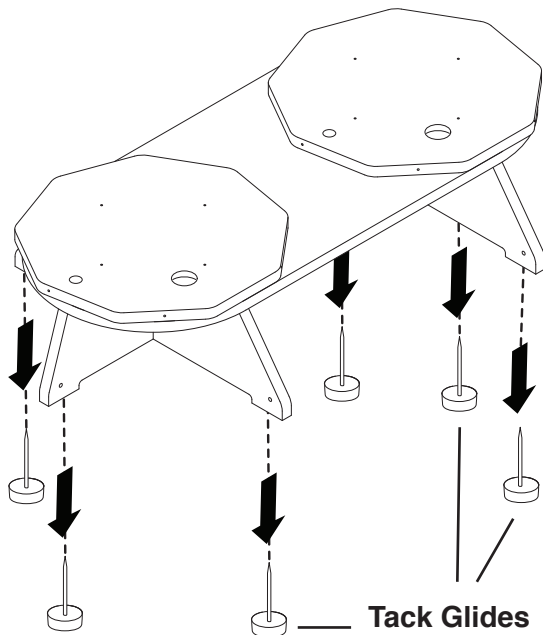
### Caster Instructions

**NOTE:** That caster has a large hole and a small threaded hole. Screw should be inserted through the large hole and then into the small threaded hole and tightened.

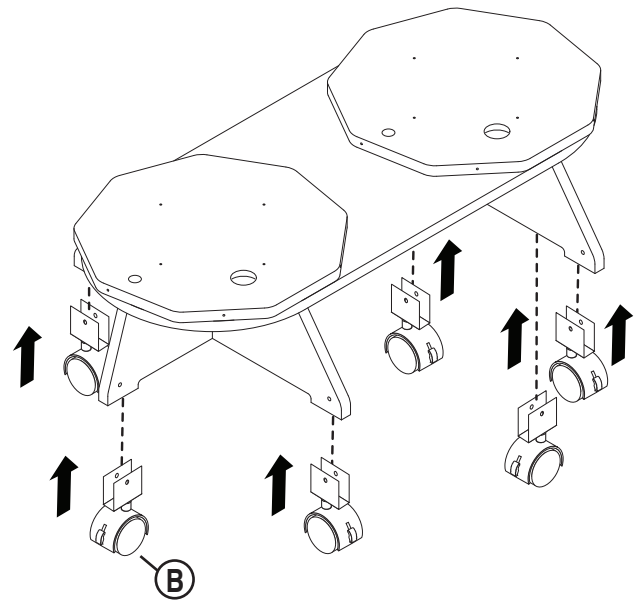


## ASSEMBLY

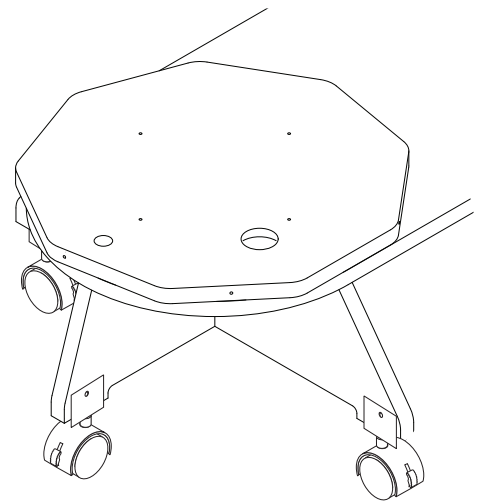
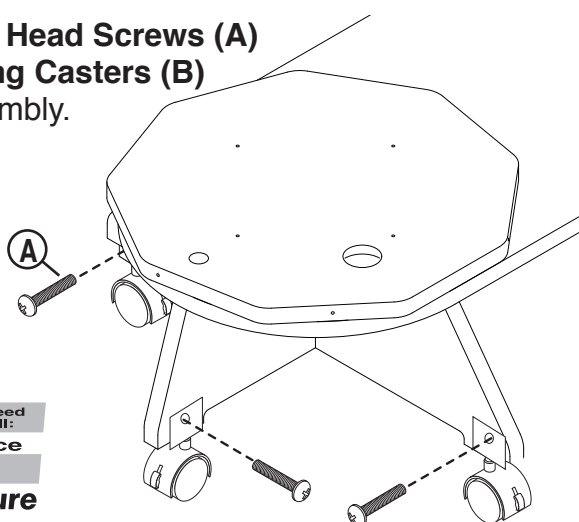
- 1 Remove (6) nail on **Tack Glides** from bottom of Base Assembly prior to installation of casters.



- 2 Align & position (6) **Locking Casters (B)** to holes in Base Assembly. As shown below.



- 3 Screw **Phillips Head Screws (A)** through **Locking Casters (B)** into Base Assembly.



If you have any questions or need replacement parts, please call:

**UPC Customer Service**  
1-800-859-7442

**Design & Manufacture**