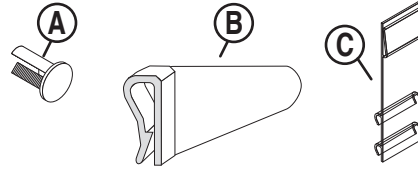


PARTS BAG

UPC# 1402

96 Pocket "X" Spinner

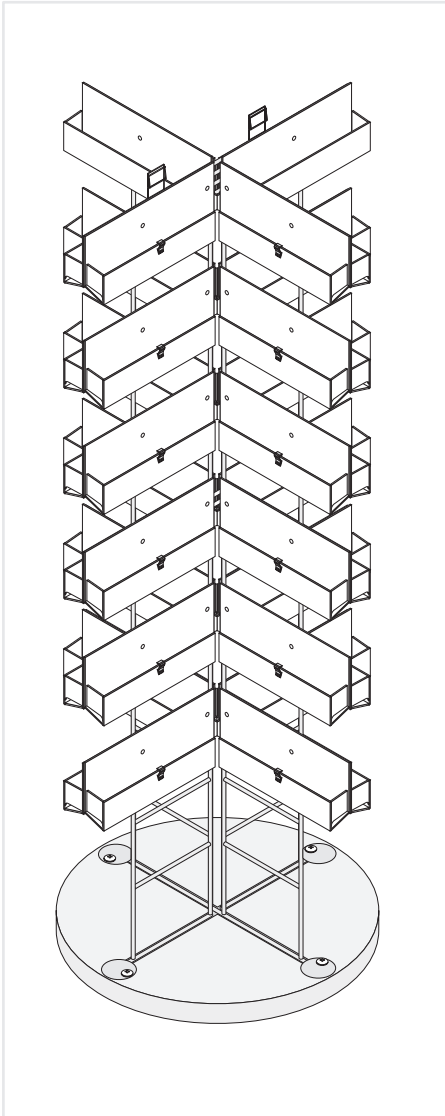
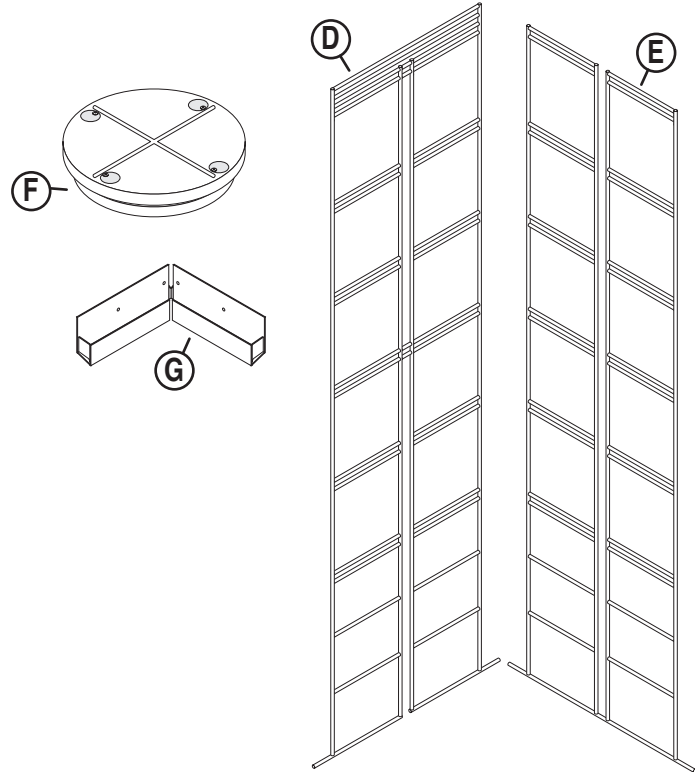
| PART | Quantity | Reference |
|---------------------------|----------|-----------|
| Ratchet Rivets (16 extra) | 112 | A |
| Card Clips (8 extra) | 56 | B |
| Sign Holder | 2 | C |



TOOLS REQUIRED: #2 Phillips Screwdriver

PARTS LIST

| PART | Quantity | Reference |
|------------------|----------|-----------|
| Wire Grid Top | 1 | D |
| Wire Grid Bottom | 1 | E |
| Spinner Plate | 1 | F |
| Racks | 24 | G |

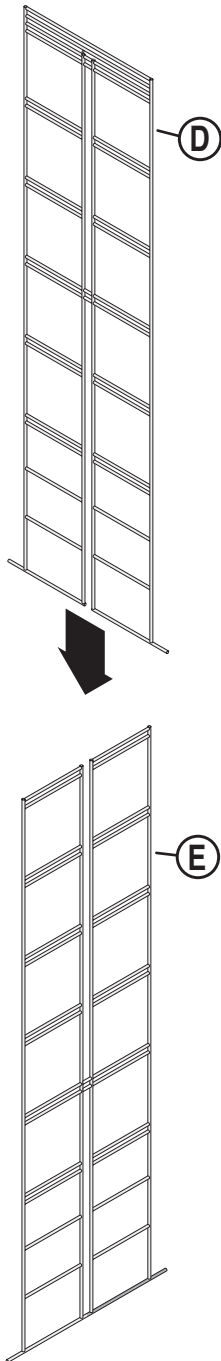


If you have any questions or need replacement parts, please call:
UPC Customer Service
1-800-859-7442

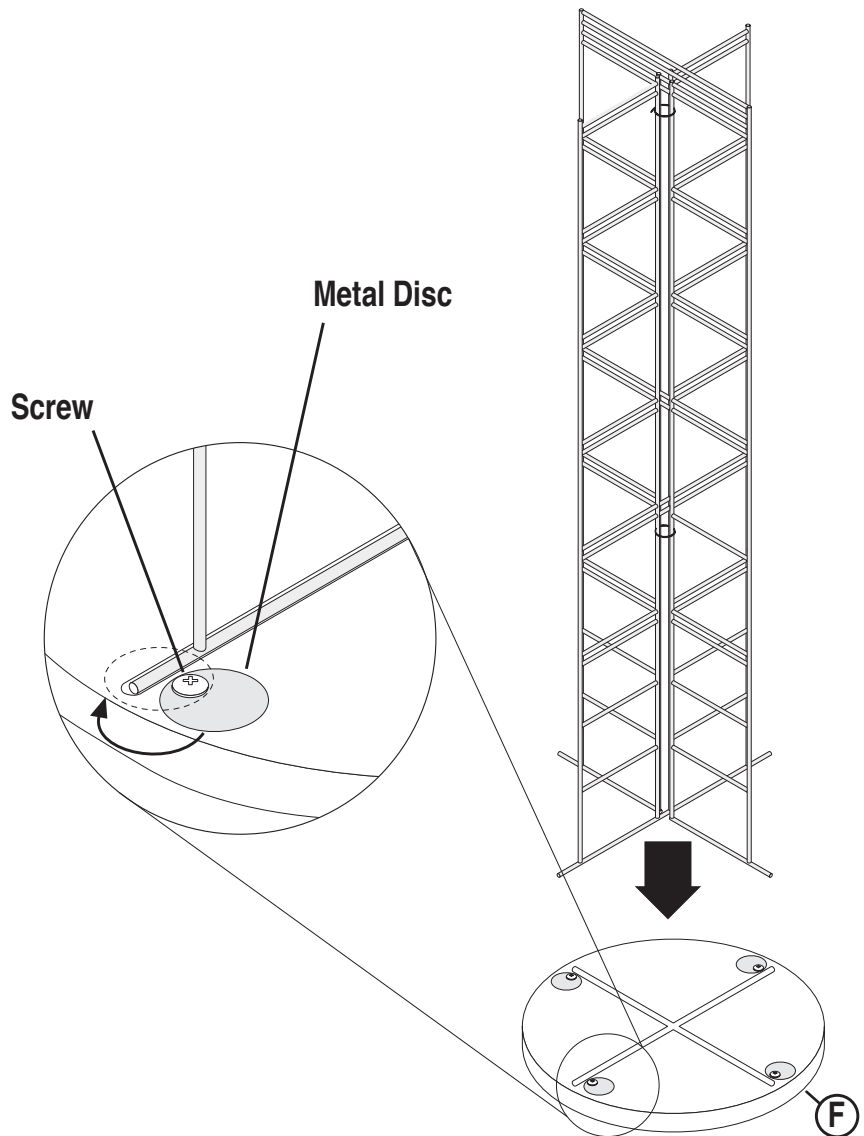
Design & Manufacture

ASSEMBLY

- 1 Assemble Wire Grids by sliding **Top Grid (D)** down onto the **Bottom Grid (E)**.

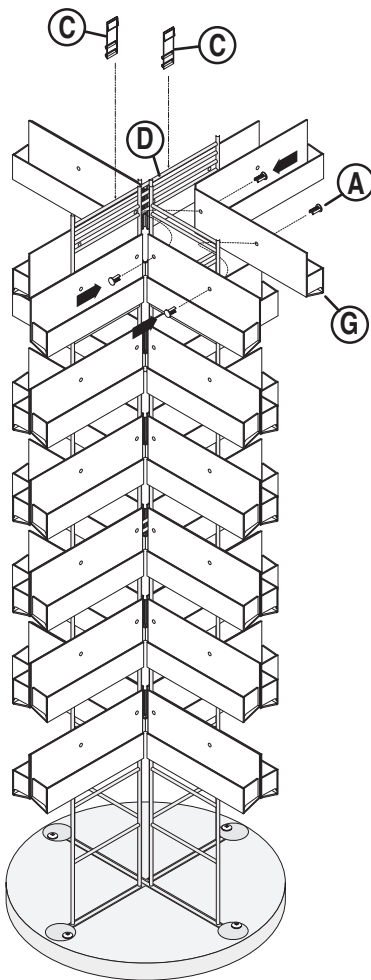


- 2 **SECURING GRID TO BASE:**
Set **Assembled Wire Grid (D&E)** down into Channels in **Spinner Plate (F)**.
Loosen screw on (4) Metal Discs.
Swing Metal Discs over grid in Channels.
Tighten screws to lock Discs over Grid.

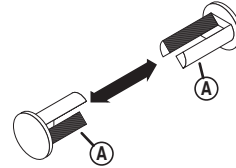


ASSEMBLY

- 3** Attach (2) **Sign Holders (C)** to top 2 wires of **Wire Grid Top (D)**. Attach **Racks (G)** two at a time, back to back, to the Assembly using the **Ratchet Rivets (A)** (see detail at right).

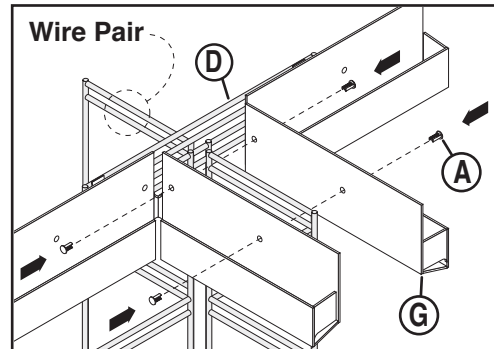


NOTE: Pinch the **Ratchet Rivets (A)** together until they are snug. Too much pressure while pinching together will cause the **Racks (G)** to crack.



IMPORTANT!

Be sure the **Ratchet Rivets (A)** are trapped between Wire Pairs on **Wire Grid Assembly (D&E)**. Racks attached to the top of the **Wire Grid Top (D)** are attached through the second pair from top.



- 4** Attach **Card Clips (B)** to the front of each **Rack (G)**, two Clips per Rack.

