



HealthShield™ ASSEMBLY INSTRUCTIONS

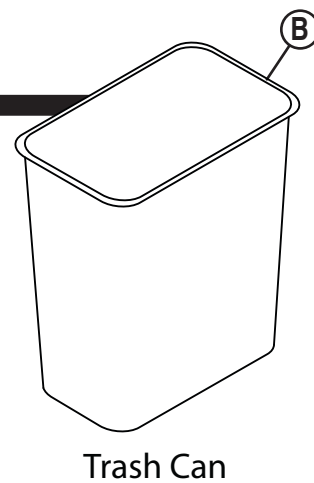
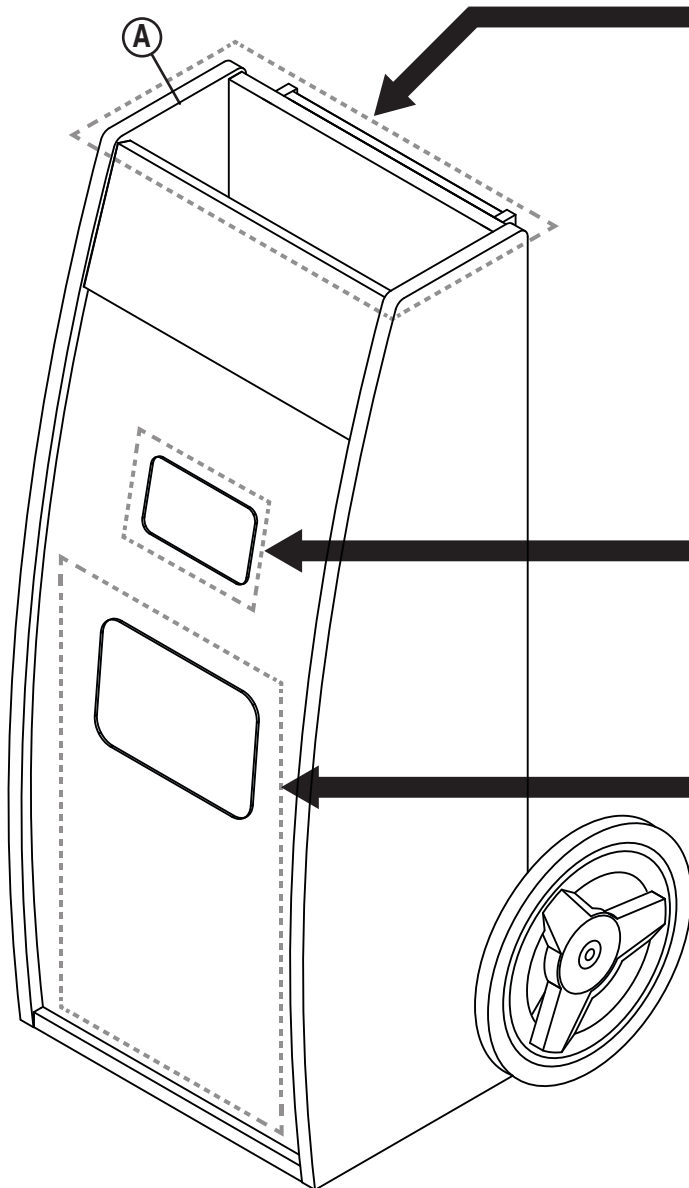
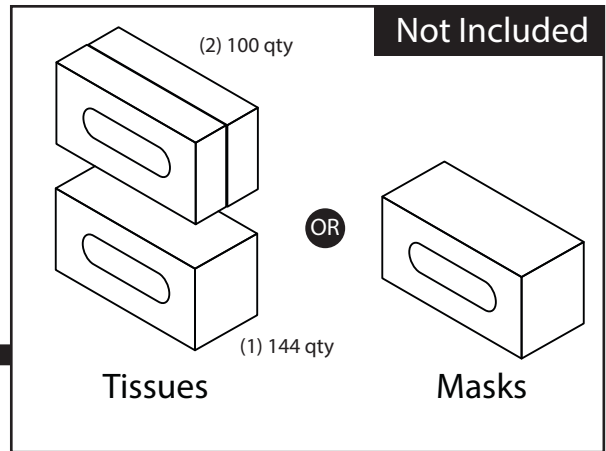
PROTECTING LIVES, ONE SHIELD AT A TIME

Thank you for your purchase of one of many fine HealthShield™ products designed & manufactured by UPC. We have made every effort to make your assembly easy, clear & hassle free. For more information or if you have any questions contact customer service at 1-800-859-7442 or visit www.healthshield.care

UPC HealthShield™

UPC #14086 - Mobile Sani-Caddy

PART LIST	Quantity	Reference
Sani-Caddy	1	A
Trash Can	1	B



www.healthshield.care

CALL TOLL FREE: 1-800-859-7442 - EMAIL: sales@upcdisplays.com

