



HealthShield™ ASSEMBLY INSTRUCTIONS

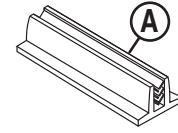
PROTECTING LIVES, ONE SHIELD AT A TIME

Thank you for your purchase of one of many fine HealthShield™ products designed & manufactured by UPC. We have made every effort to make your assembly easy, clear & hassle free. For more information or if you have any questions contact customer service at 1-800-859-7442 or visit www.healthshield.care

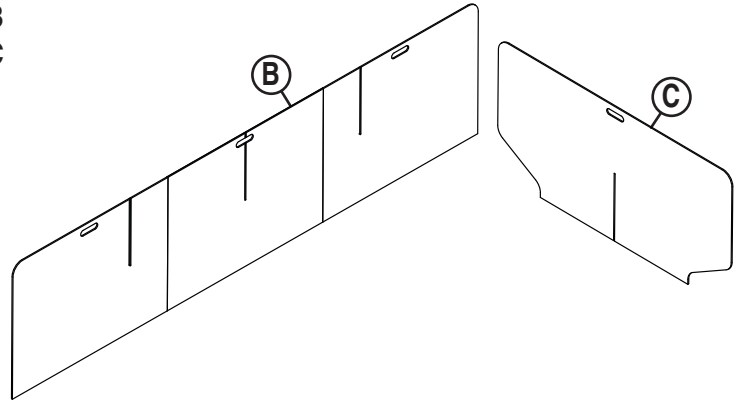
UPC HealthShield™

UPC #14130 - Lunch Bunch - 8'

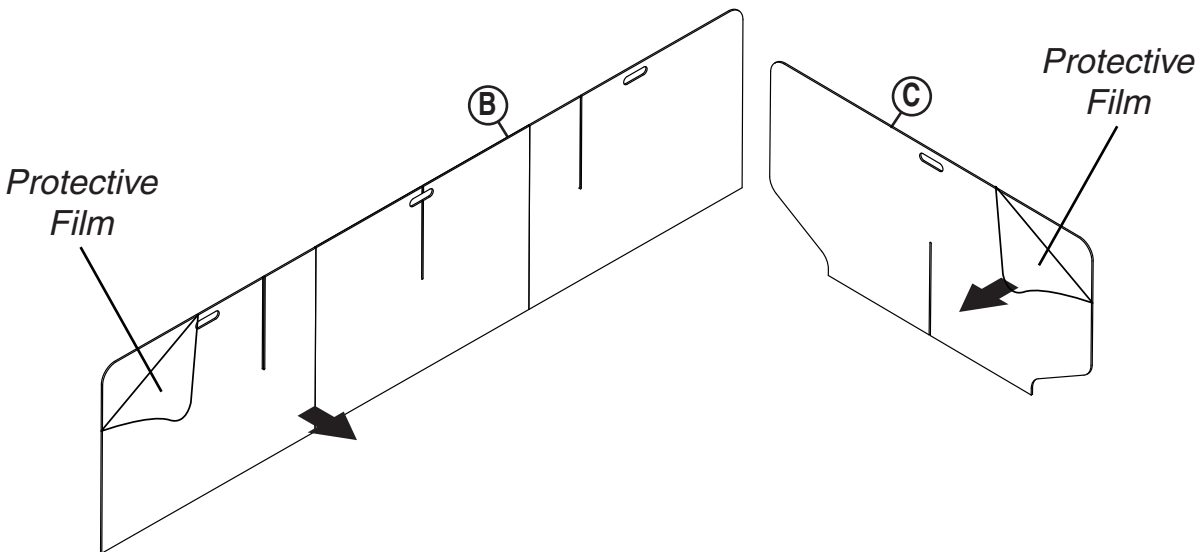
PART BAG	Quantity	Reference
Adhesive Clip	6	A



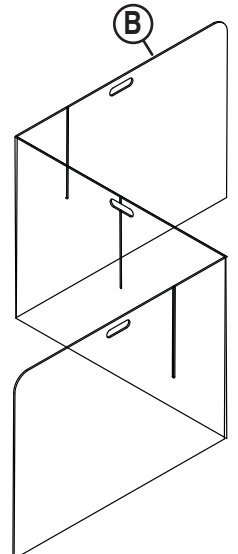
PART LIST	Quantity	Reference
Center Shield	1	B
Divider Shield	3	C



1 Peel the *Protective Film* from both sides of the **Center Shield (B)** and **(2) Divider Shields (C)**.



1 Unfold **Center Shield (B)** partially so it stands on its own.



If you have any questions please call:
UPC Customer Service

1-800-859-7442

Design & Manufacture
upcdisplays.com

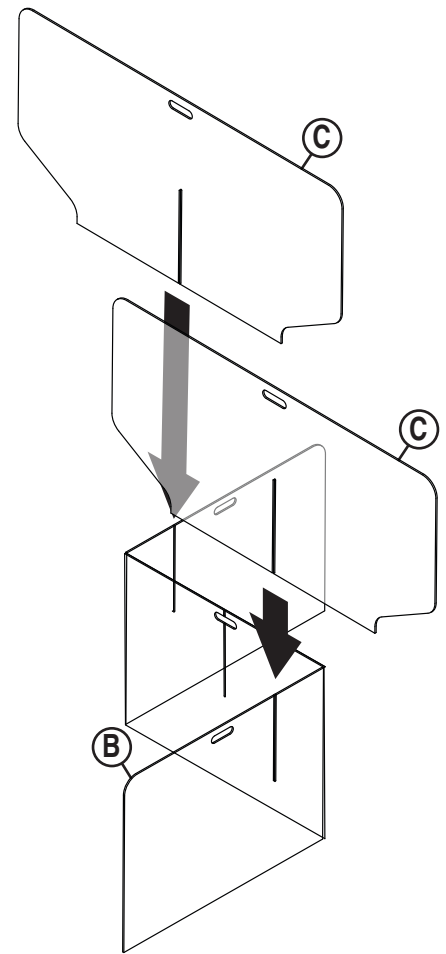


If you have any questions please call:
UPC Customer Service

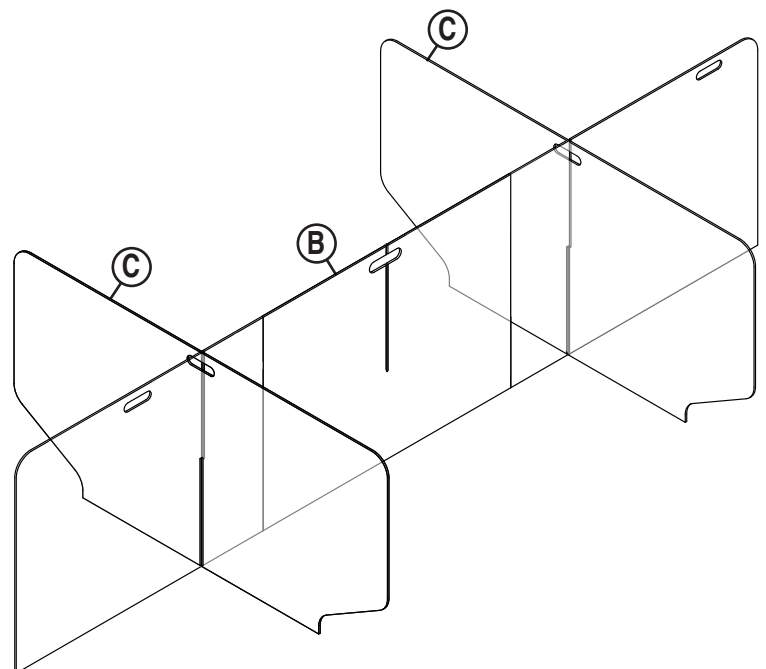
1-800-859-7442

Design & Manufacture
upcdisplays.com

- 2 Slide (2) **Divider Shields (C)** into matching slots towards the ends of **Center Shield (B)**.



- 3 Straighten **Assembly (B,C)** on table.



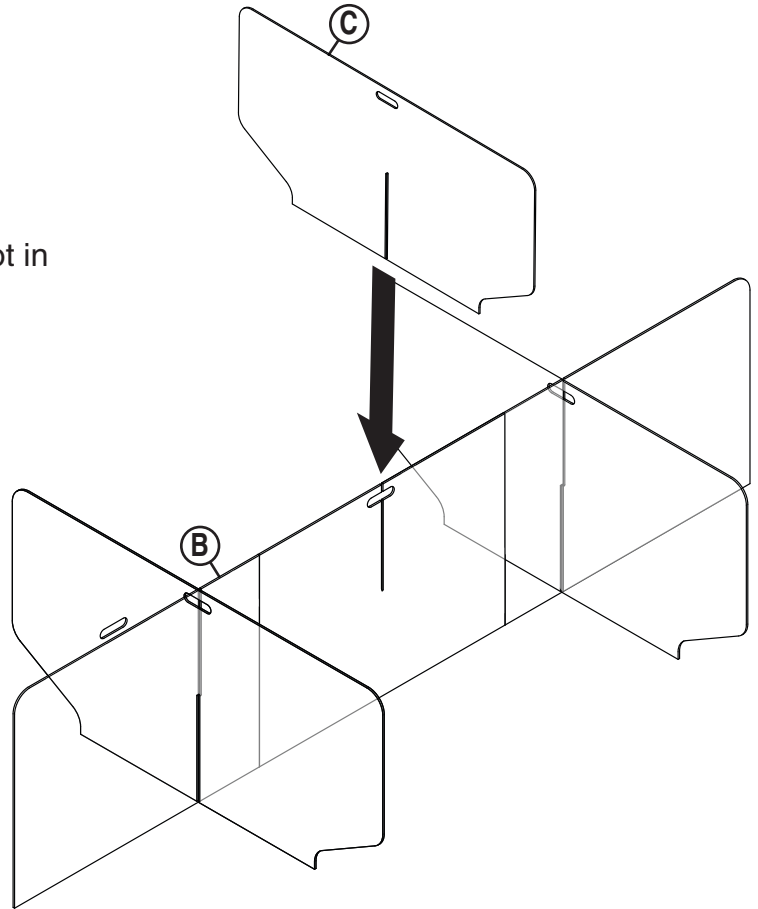


If you have any questions please call:
UPC Customer Service

1-800-859-7442

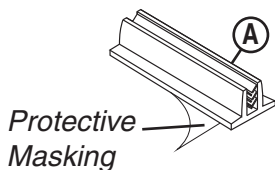
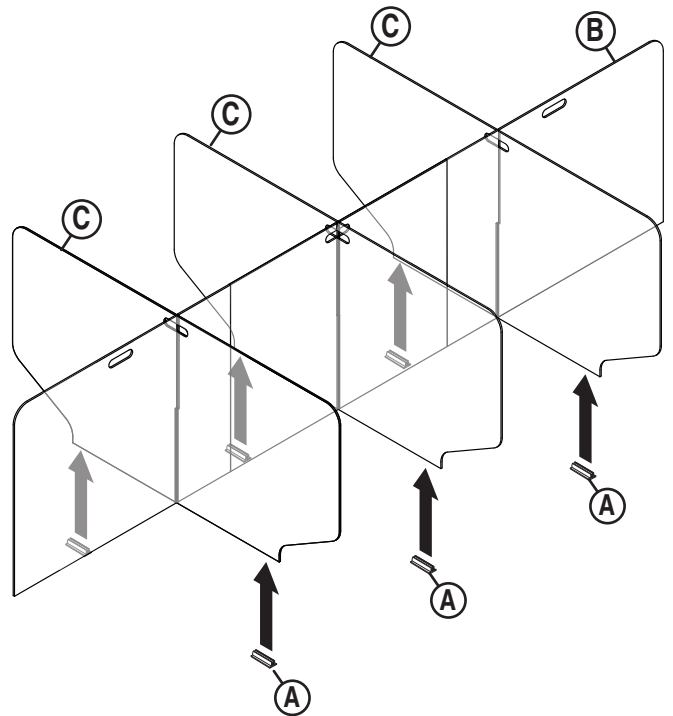
Design & Manufacture
upcdisplays.com

- 4** Slide (1) **Divider Shield (C)** into matching slot in **Center Shield (B)**.



- 5** Place **Assembly (B,C)** in desired location.

At that time tilt **Assembly (B,C)** so that the **Protective Masking** from (6) **Adhesive Clips (A)** can be removed and carefully put **Assembly (B,C)** back into place. Attach (6) **Adhesive Clips (A)** to the bottom ends of (3) **Divider Shields (C)**.



www.healthshield.care

CALL TOLL FREE: 1-800-859-7442 - EMAIL: sales@upcdisplays.com

