



HealthShield™ ASSEMBLY INSTRUCTIONS

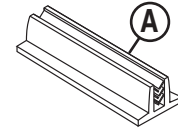
PROTECTING LIVES, ONE SHIELD AT A TIME

Thank you for your purchase of one of many fine HealthShield™ products designed & manufactured by UPC. We have made every effort to make your assembly easy, clear & hassle free. For more information or if you have any questions contact customer service at 1-800-859-7442 or visit www.healthshield.care

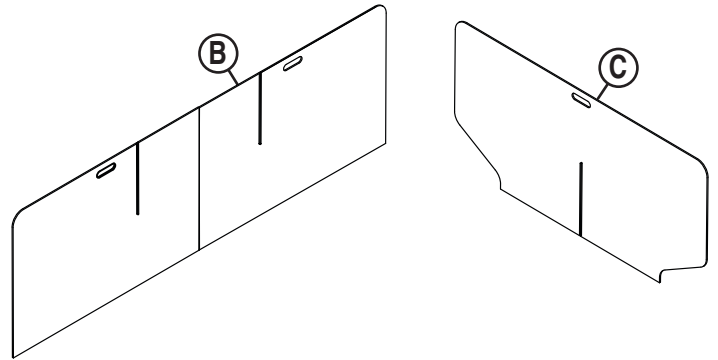
UPC HealthShield™

UPC #14129 - Lunch Bunch - 6'

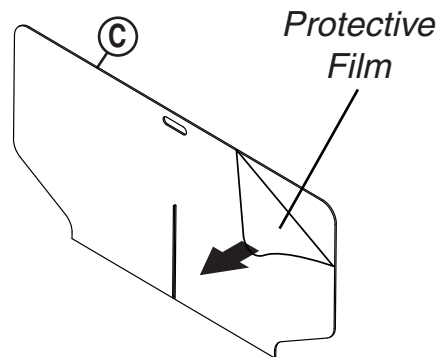
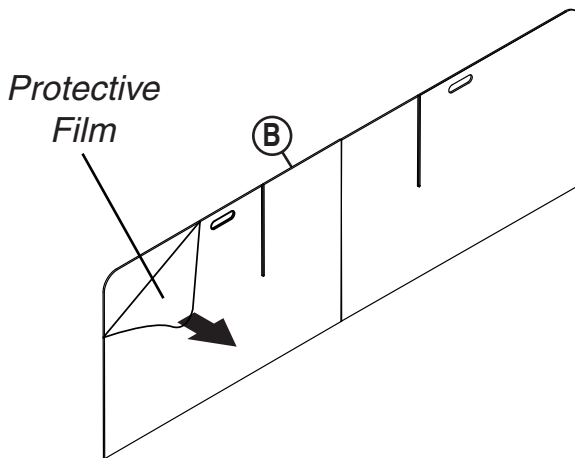
PART BAG	Quantity	Reference
Adhesive Clip	4	A



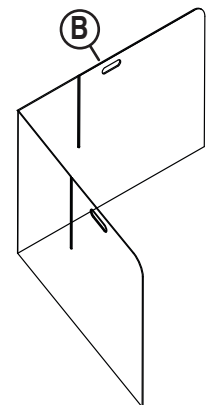
PART LIST	Quantity	Reference
Center Shield	1	B
Divider Shield	2	C



1 Peel the *Protective Film* from both sides of the **Center Shield (B)** and **(2) Divider Shields (C)**.



2 Unfold **Center Shield (B)** partially so it stands on its own.



If you have any questions please call:
UPC Customer Service

1-800-859-7442

Design & Manufacture
upcdisplays.com

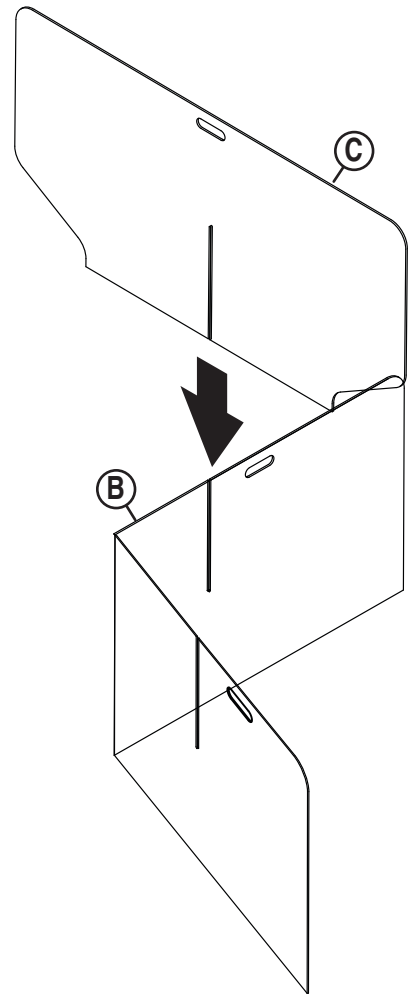


If you have any questions please call:
UPC Customer Service

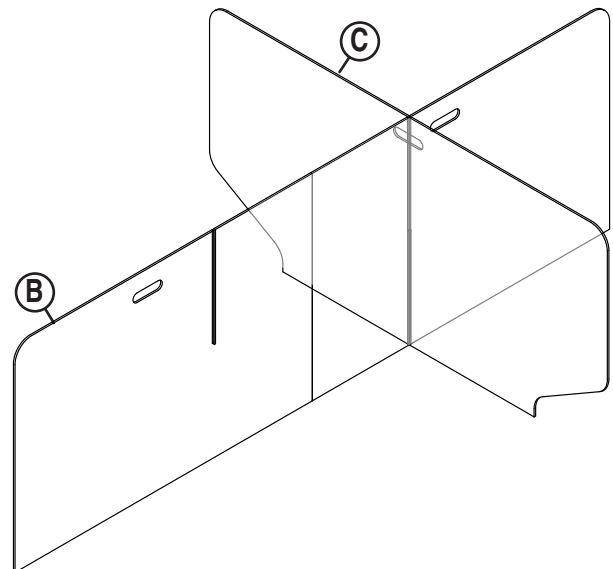
1-800-859-7442

Design & Manufacture
upcdisplays.com

- 3 Slide (1) Divider Shield (C) into a slot of Center Shield (B).



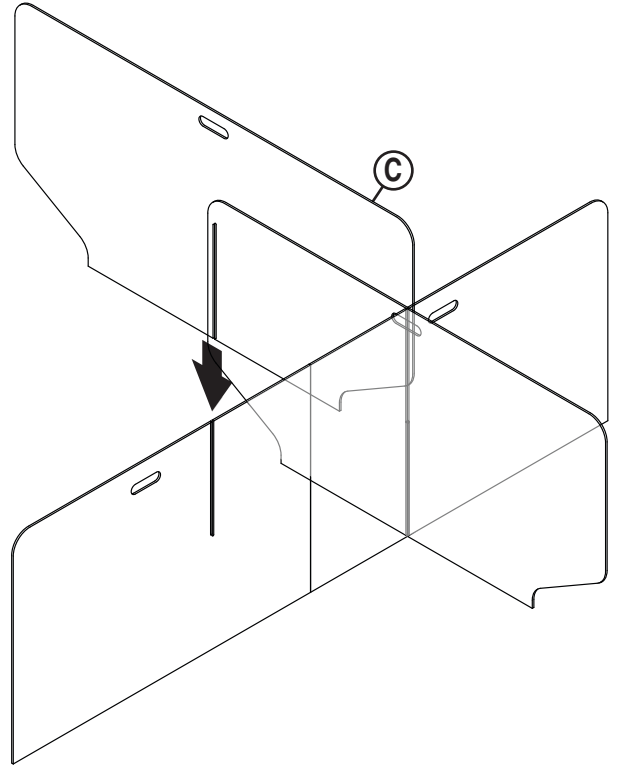
- 4 Straighten Assembly (B,C) on table.





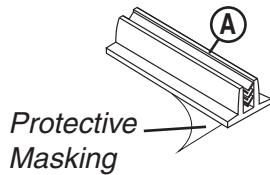
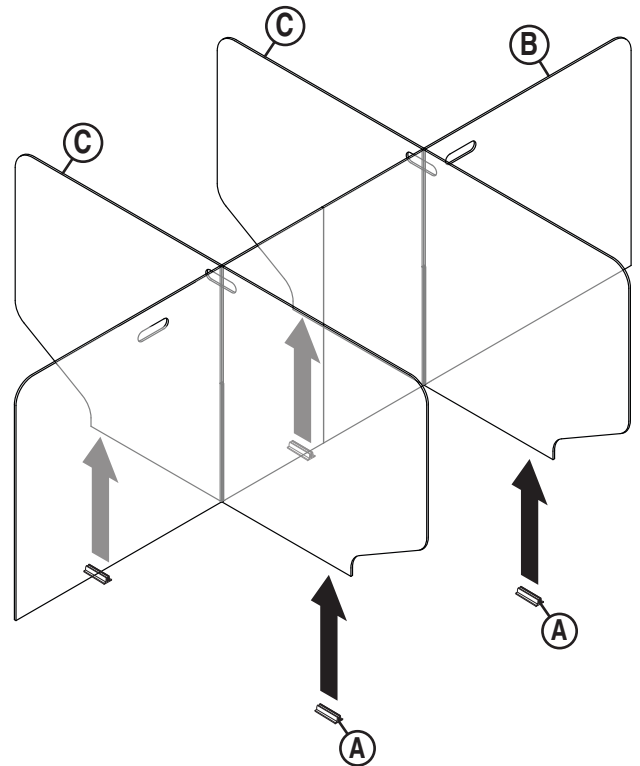
If you have any questions please call:
UPC Customer Service
1-800-859-7442
Design & Manufacture
upcdisplays.com

- 5 Slide (1) **Divider Shield (C)** into other matching slot in **Center Shield (B)**.



- 6 Place **Assembly (B,C)** in desired location.

At that time tilt **Assembly (B,C)** so that the *Protective Masking* from (4) **Adhesive Clips (A)** can be removed and carefully put **Assembly (B,C)** back into place. Attach (4) **Adhesive Clips (A)** to the bottom ends of (2) **Divider Shields (C)**.



www.healthshield.care

CALL TOLL FREE: 1-800-859-7442 - EMAIL: sales@upcdisplays.com

